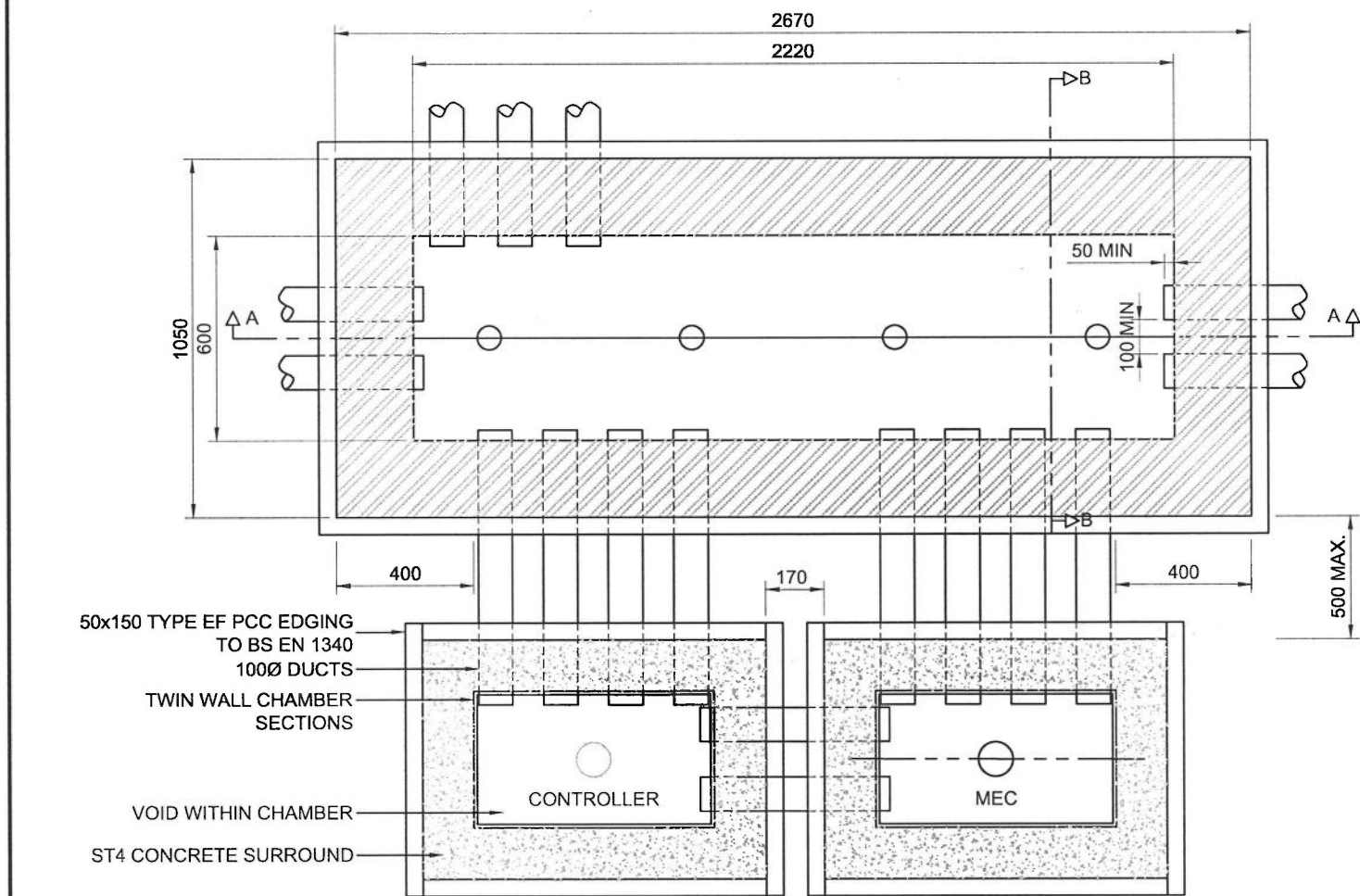


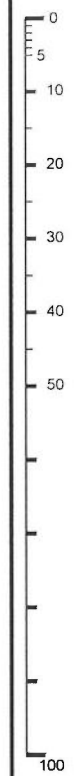
SECTION A-A



PLAN  
(COVER & FRAME OMITTED FOR CLARITY)

- NOTES (CONTINUED)
- DEPTH OF A DRAWPIT SHALL BE DICTATED BY DEPTH OF THE DEEPEST DUCT ENTERING THE DRAWPIT (COVER TO CARRIAGEWAY DUCTS SHALL BE 600 MIN, COVER TO VERGE DUCTS SHALL BE 450 MIN.) WHERE THE NUMBER OF DUCTS SPECIFIED CANNOT BE ARRANGED AT ONE DEPTH, THE DEPTH OF THE DRAWPIT SHALL BE INCREASED SUCH THAT THE VERTICAL CLEARANCE BETWEEN THE DUCT LAYERS IS 100 MIN. THE MAXIMUM DRAWPIT DEPTH SHALL NOT EXCEED 1200 TO THE UNDERSIDE OF THE CONCRETE SLAB.
  - INSPECTION COVERS (600x450) SHALL BE BOTH TO BS EN 124 & CERTIFIED BY A UKAS APPROVED THIRD PARTY ACCREDITATION BODY (E.G. B.S.I.). CLASS D400 COVERS AND FRAMES SHALL BE USED.
  - COVERS SHALL NOT INCLUDE SCREWS, FIXINGS OR SCREW HOLES.
  - A 900 WIDTH OF HARDSTANDING ALL AROUND IS TO BE CONSTRUCTED AS FOOTWAY TYPE 2 ON DRAWING HCC10/C/045.
  - DUCTS DESIGNATED FOR ELECTRICITY USE SHALL NOT PASS THROUGH THE CHAMBER.
  - 1 No. 100 DIA. ORANGE DUCT SHALL BE PROVIDED BETWEEN THE CONTROLLER CHAMBER AND ADJACENT POWER SUPPLY PILLAR FOR THE MAIN ELECTRICITY SUPPLY. 1 No. 100 DIA. GREY DUCT SHALL BE PROVIDED FROM THE CONTROLLER CHAMBER FOR A DISTANCE OF AT LEAST 1 METRE FOR TELECOMMUNICATIONS.
  - REFER TO HCC STANDARD DETAIL DRAWING NUMBER HCC11/T/030 FOR CONSTRUCTION OF CONTROLLER / MEC CONTROLLER CHAMBERS C AND D.

- NOTES
- DO NOT SCALE FROM THIS DRAWING.
  - ALL DIMENSIONS IN MILLIMETRES UNLESS OTHERWISE STATED.
  - A THIRD PARTY SHALL SUPPLY THE CONTROLLER CABINET PLINTHS AND CHAMBER SECTIONS TO THE MAIN CONTRACTOR. THE CHAMBER SECTIONS AND CONTROLLER/ CABINET PLINTHS SHALL BE INSTALLED BY THE MAIN CONTRACTOR. THE CONTROLLER/MEC CABINETS SHALL BE INSTALLED BY THE TRAFFIC SIGNAL CONTRACTOR.
  - THE NUMBER OF DUCTS INTO THE DRAWPIT AND THEIR POSITIONS ARE DETAILED ON THE TRAFFIC SIGNAL LAYOUT DRAWING. THE NUMBER OF DUCTS ENTERING THE DRAWPIT, AND THEIR LOCATIONS, SHOWN ON THIS DRAWING ARE SHOWN INDICATIVELY. THE EXCEPTIONS SHALL BE THE NUMBER OF DUCTS (2 ROWS OF 4 DUCTS) BETWEEN THE DRAWPIT AND EACH CONTROLLER / MEC CHAMBER AND BETWEEN THE CONTROLLER AND THE MEC CHAMBERS (1 ROW OF 2 DUCTS).
  - DUCTS SHALL BE ORANGE, HAVE AN INTERNALLY SMOOTH BORE & LABELLED "TRAFFIC SIGNALS" AT MAXIMUM 1 METRE INTERVALS & INSTALLED WITH DRAWCORDS.
  - INSPECTION COVERS SHALL BE MARKED WITH ONE OF THE FOLLOWING:  
"TRAFFIC SIGNALS"  
"TRAFFIC LIGHTS"  
"SIGNALS"  
"H.C.C. SIGNALS"  
"U.T.C"  
LETTER HEIGHT 40 TO 100  
RECESSED & INFILLED COVERS SHALL NOT BE USED.
  - DUCTS AT DEPTH SHALL BE BROUGHT UP TO THE DRAWPIT USING A SINGLE EASY BEND OF MINIMUM 1 METRE RADIUS.



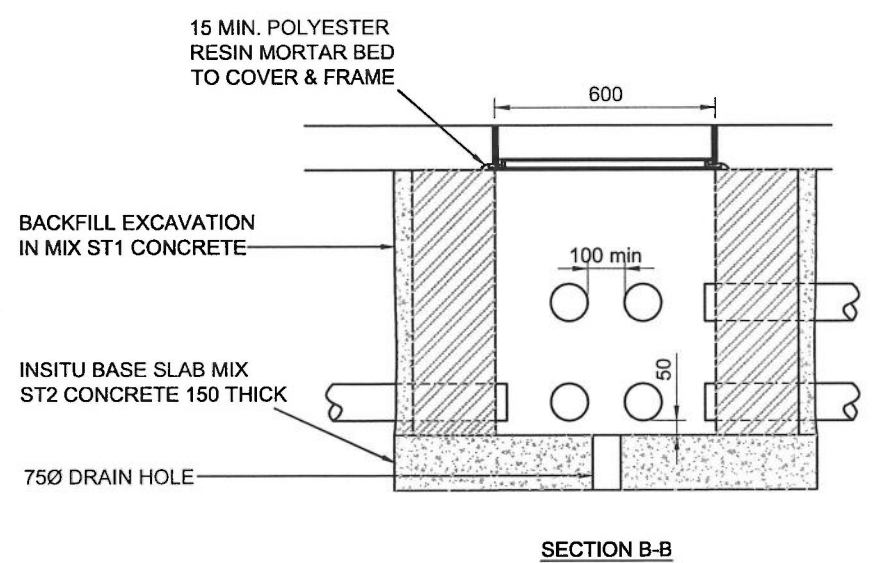
REV	AMENDMENTS	DATE	CAD	CHKD	APPD

**Hampshire County Council** Engineering CONSULTANCY  
STUART JARVIS BSc DipTP FCIBT MRTPI. DIRECTOR OF ECONOMY, TRANSPORT & ENVIRONMENT

SCHEME  
**STANDARD DETAILS**

DRAWING TITLE  
**TRAFFIC SIGNALS CONTROLLER CHAMBER TYPE E DOUBLE CONTROLLER CABINET DETAIL**

DESIGNER MT	CHECKED JM <i>JM</i>	SCALE @ A3 NTS
CAD RB	APPROVED AG <i>AG</i>	DATE March 2020
DRAWING NUMBER HCC11/T/035		REV



SECTION B-B

Copyright Hampshire County Council. 2019  
All rights, including translation, reserved. No part of this publication may be reproduced, stored in a retrieval system, or transmitted in any form or by any means (electronic, mechanical, photocopied, recorded or otherwise) without the prior written permission of Hampshire County Council. Requests should be directed to the Economy, Transport & Environment Department.