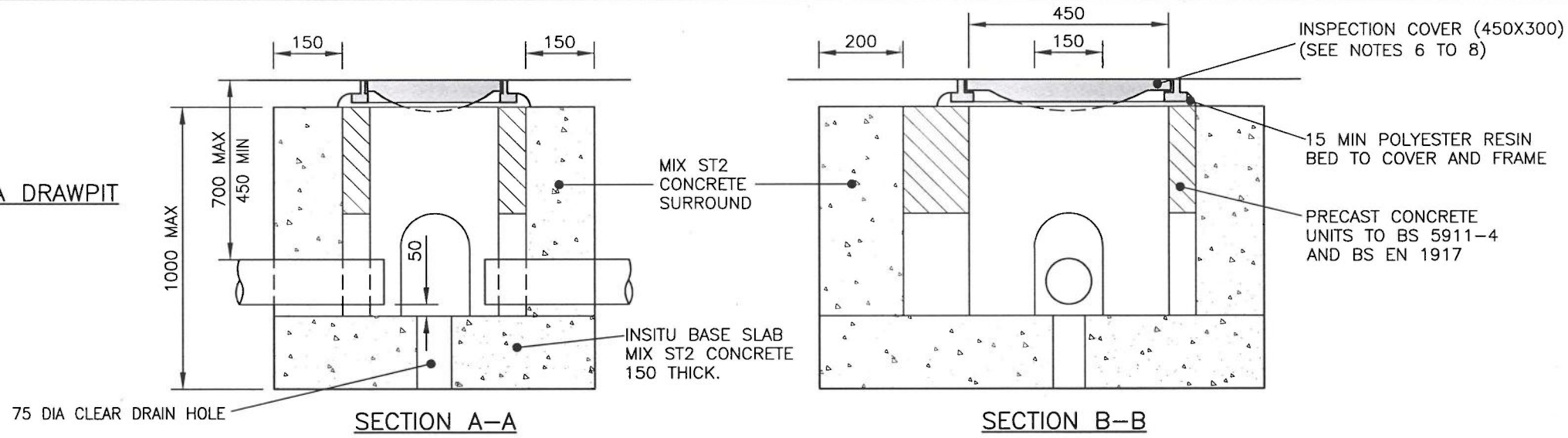
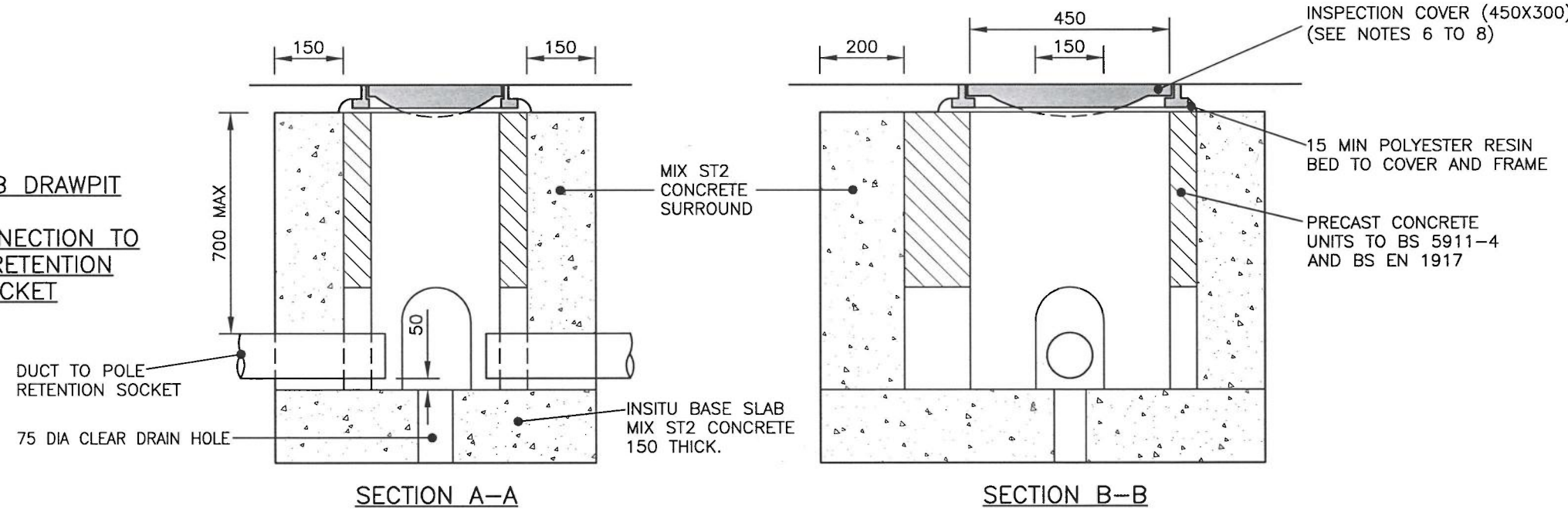


**TYPE 1A DRAWPIT**



**TYPE 1B DRAWPIT  
FOR CONNECTION TO  
POLE RETENTION  
SOCKET**

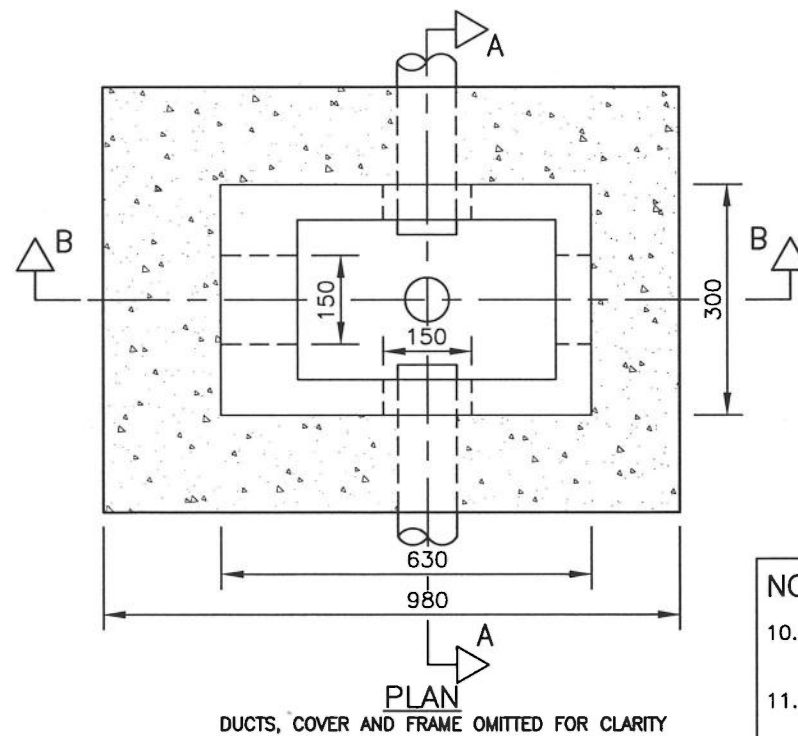


**PLASTIC UNIT ALTERNATIVE:**

AS AN ALTERNATIVE TO THE PRECAST CONCRETE UNITS ILLUSTRATED, THE CONTRACTOR MAY CONSTRUCT DRAWPIT TYPE 1A OR 1B USING COMPLETE PLASTIC UNITS MANUFACTURED FROM RECYCLED POLYOLEFIN AND BEDDED ON AND SURROUNDED BY A MINIMUM 150 OF MIX ST4 CONCRETE. SUCH CHAMBERS SHALL BE CONSTRUCTED STRICTLY IN ACCORDANCE WITH THE MANUFACTURER'S INSTRUCTIONS AND PARTICULAR CARE SHALL BE TAKEN TO AVOID MOVEMENT OR DISTORTION OF THE PLASTIC UNIT DURING THE PLACING AND COMPACTION OF THE CONCRETE SURROUND.

SUCH CHAMBERS CONSTRUCTED WITHIN 2500 OF THE EDGE OF THE CARRIAGEWAY SHALL BE FITTED WITH A COVER AND FRAME AS SPECIFIED FOR THE P.C.C. UNIT ABOVE.

ALL COVER FRAMES SHALL BE BEDDED ON A MINIMUM 15mm OF POLYESTER RESIN, SUPPORTED ON THE CONCRETE SURROUND AND NOT ON THE CHAMBER UNIT. CLEAR OPENING DIMENSIONS FOR THE COVERS SHALL BE AS SHOWN FOR P.C.C. UNITS.



**NOTES (CONTINUED)**

- ORIENTATION AND NUMBER OF DUCTS MAY VARY ACCORDING TO THE SCHEME DRAWINGS.
- THE MAXIMUM DRAWPIT DEPTH SHALL NOT EXCEED 1000 TO THE UNDERSIDE OF THE CONCRETE SLAB.

**NOTES:**

- ALL DIMENSIONS ARE IN MILLIMETRES.
- DUCTS SHALL BE ORANGE, HAVE AN INTERNALLY SMOOTH BORE AND BE LABELLED "TRAFFIC SIGNALS" AT MAXIMUM 1 METRE INTERVALS. THEY SHALL BE INSTALLED WITH DRAWCORDS.
- INSPECTION COVERS SHALL BE MARKED WITH ONE OF THE FOLLOWING:-  
"TRAFFIC SIGNALS"  
"TRAFFIC LIGHTS"  
"SIGNALS"  
"HCC SIGNALS"  
"UTC"  
  
LETTER HEIGHT 40 TO 100. RECESSED AND INFILLED COVERS SHALL NOT BE USED.
- DUCTS AT DEPTH SHALL BE BROUGHT UP TO THE DRAWPIT USING A SINGLE EASY BEND OF MINIMUM 1 METRE RADIUS.
- AS AN ALTERNATIVE TO THE PRECAST CONCRETE UNITS ILLUSTRATED, THE CONTRACTOR MAY CONSTRUCT THE DRAW PIT USING A PLASTIC UNIT, ALL AS DESCRIBED IN THE NOTE OPPOSITE.
- INSPECTION COVER (450 X 300) SHALL BE TO BS EN 124:2015 D400 - GROUP 4 AND HA 104/09. SEE APPENDIX 5/1 FOR FURTHER REQUIREMENTS.
- WHERE THE DRAWPIT IS LOCATED BEHIND A VEHICULAR OR PEDESTRIAN RESTRAINT, OR IN CLOSE PROXIMITY TO A LIGHTING COLUMN OR SIGNAL POLE, A COVER AND FRAME TO BS EN 124:2015 C250 - GROUP 3 MAY BE USED.
- COVERS SHALL NOT INCLUDE SCREWS, FIXINGS OR SCREW HOLES.
- TYPE 1B DRAWPIT USED TO CONNECT TO POLE RETENTION SOCKET (SEE DRAWING HCC11/T/045).

| REV | AMENDMENTS | DATE | CAD | CHKD | APPD |
|-----|------------|------|-----|------|------|
|     |            |      |     |      |      |

CONSULTANT

**Hampshire Engineering**  
County Council CONSULTANTS  
STUART JARVIS BSc DipTP FCIBT MRTPL DIRECTOR OF ECONOMY, TRANSPORT & ENVIRONMENT

SCHEME

**STANDARD DETAILS**

DRAWING TITLE

**TRAFFIC SIGNAL  
DRAWPIT TYPE 1A & 1B**

|                                    |              |            |             |  |  |
|------------------------------------|--------------|------------|-------------|--|--|
| HCC CADplot: 25.Feb.2020 at 8:56pm |              |            |             |  |  |
| DRAWN                              | CHECKED      | SCALE @ A3 | N.T.S       |  |  |
| RB                                 | JM <i>JM</i> | DATE       | March 2020  |  |  |
| CAD                                | APPROVED     | DRG No.    | HCC11/T/010 |  |  |
| RB                                 | AG <i>AG</i> | REVISION   |             |  |  |

Copyright Hampshire County Council. 2019  
All rights, including translation, reserved. No part of this publication may be reproduced, stored in a retrieval system, or transmitted in any form or by any means (electronic, mechanical, photocopied, recorded or otherwise) without the prior written permission of Hampshire County Council. Requests should be directed to the Economy, Transport & Environment Department.