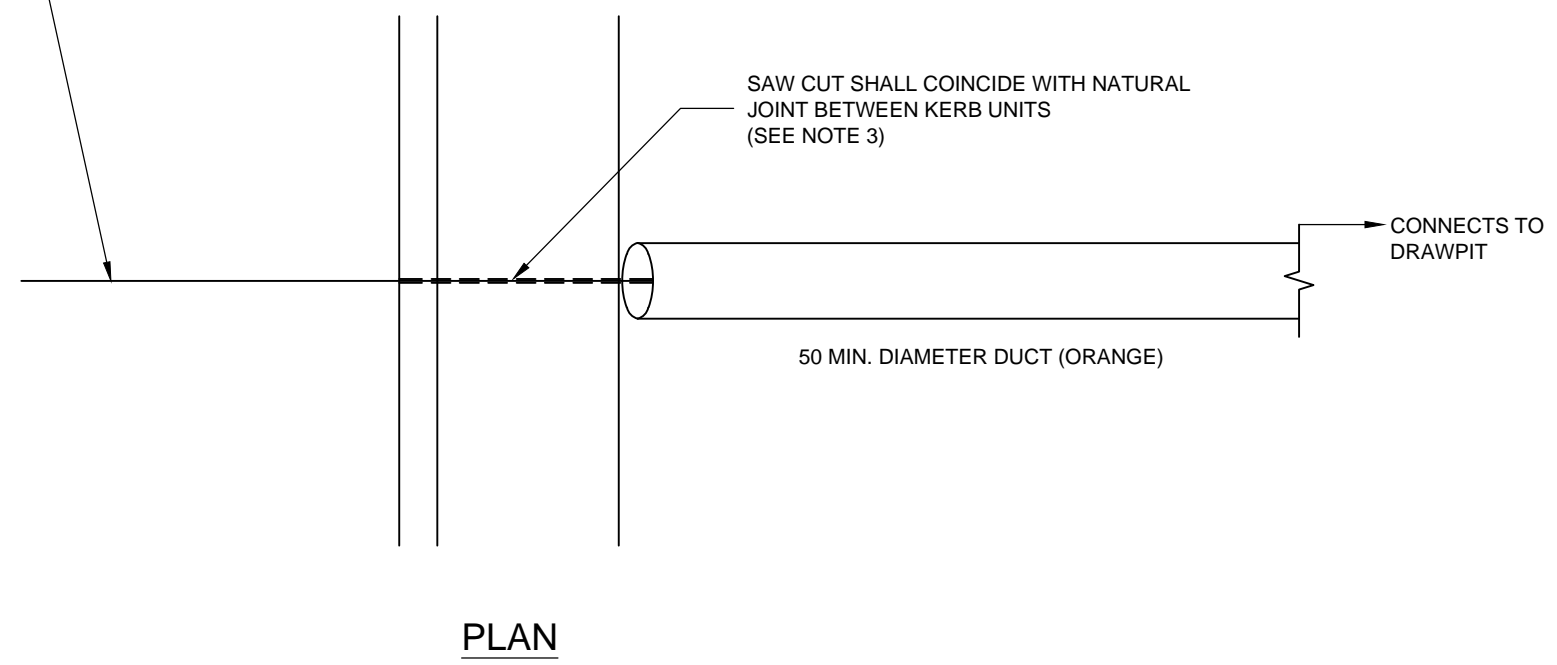


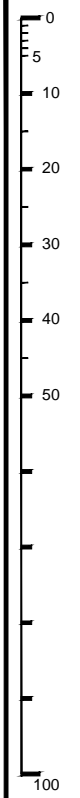
VEHICLE DETECTOR LOOP TAILS



PLAN

**NOTES**

1. ALL DIMENSIONS ARE IN MILLIMETRES.
2. WHERE DUCTS ARE INSTALLED IN ADVANCE OF THE VEHICLE DETECTOR LOOPS, THEIR POSITIONS SHALL BE MARKED ON-SITE BY AN APPROPRIATE METHOD AGREED WITH THE OVERSEEING ORGANISATION.
3. WHERE NO KERB EXISTS OR COMBINED KERB AND DRAINAGE UNITS ARE USED, REFER TO DRAWING HCC11/T/075.



B	COPYRIGHT AMENDED AND NEW DIRECTORATE DETAILED.	06.02.2023	AM	JM	ARG
A	BRANDING UPDATED.	26.07.2022	CLT	JM	ARG
REV	AMENDMENTS	DATE	CAD	CHKD	APPD

CONSULTANT

**Hampshire County Council**

**Hampshire Engineering Services**

TIM LAWTON BEng CEng FICE FCIHT : ASSISTANT DIRECTOR OF UNIVERSAL SERVICES

SCHEME

## STANDARD DETAILS

DRAWING TITLE

### DETAILS OF CONNECTION OF VEHICLE DETECTOR LOOP TO DRAWPIT

DESIGNER	CHECKED	SCALE @ A3
RB	JM   JM	N.T.S
CAD	APPROVED	DATE
RB	ARG   ARG	March 2020
DRAWING NUMBER	REV	
HCC11/T/050	B	

Copyright Hampshire County Council.

All rights, including translation, reserved. No part of this publication may be reproduced, stored in a retrieval system, or transmitted in any form or by any means (electronic, mechanical, photocopied, recorded or otherwise) without the prior written permission of Hampshire County Council. Requests should be directed to Hampshire Engineering Services.