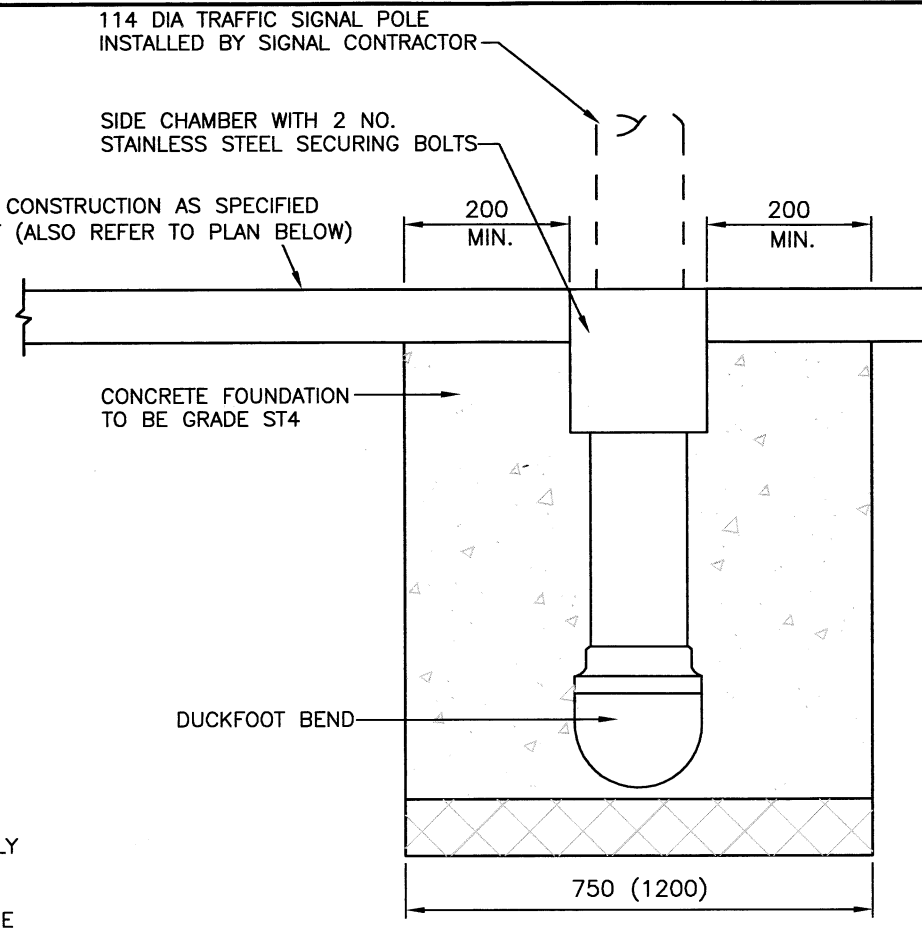
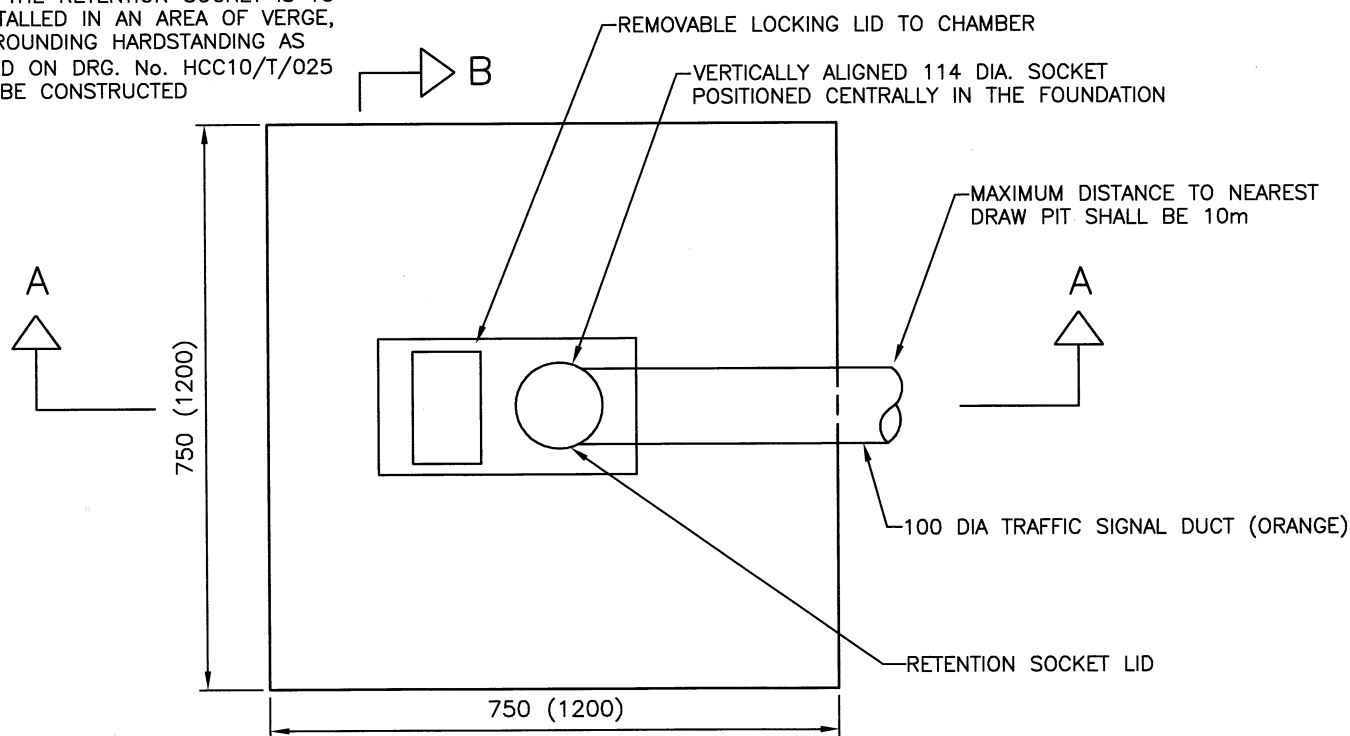


SECTION A-A



SECTION B-B

WHERE THE RETENTION SOCKET IS TO BE INSTALLED IN AN AREA OF VERGE, A SURROUNDING HARDSTANDING AS DETAILED ON DRG. No. HCC10/T/025 SHALL BE CONSTRUCTED



PLAN

TABLE A

POLE LENGTH	PLANTING DEPTH OF DUCKFOOT BEND	TYPE 1A,1B,2,3,5 6A,6B FOOTWAY/ISLAND INSTALLATION		HIGH SPEED/VERGE INSTALLATION	
		LENGTH	WIDTH	LENGTH	WIDTH
<4m	300	1200	1200	1600	1600
<4m	450	1000	1000	1400	1400
<4m	600	850	850	1300	1300
4m	750	750	750	1200	1200
6m	900	680	680	1100	1100

STANDARD DIMENSIONS

NOTES CONTINUED:

- IN EXCEPTIONAL CIRCUMSTANCES, AND ONLY IN AGREEMENT WITH THE HCC ITS ENGINEER, THE PLANTING DEPTH OF THE DUCKFOOT BEND MAY BE VARIED FROM THAT SHOWN. FOR A 4m TALL SIGNAL POLE THE FOUNDATION SIZE SHOULD BE CONSTRUCTED TO THE DIMENSIONS SHOWN IN TABLE A.
- FOR ANY SIGNAL POLES GREATER THAN 6M TALL CONTACT HCC ITS ENGINEER FOR DETAILS OF PLANTING DEPTH.
- THE DUCKFOOT BEND MAY BE REPLACED WITH A 'T' SHAPED BEND WHERE SPECIFIED ON THE TRAFFIC SIGNAL DRAWING.
- WHERE THE FOOTWAY SLOPES, A WEDGE SHAPED RETENTION SOCKET LID MAY BE USED TO PROVIDE A CONTINUOUS FALL OF SLOPE.
- FOR ROADS WITH A SPEED LIMIT OF 50mph OR GREATER, ALL APPLICABLE TRAFFIC SIGNAL POLES SHOULD BE CONSIDERED INDIVIDUALLY WITH REGARD TO THEIR SUITABILITY TO BE MADE PASSIVELY SAFE AND THE DECISIONS SHALL BE OUTLINED IN THE TRAFFIC SIGNAL HAZARD ASSESSMENT TA 89/05 (USE OF PASSIVELY SAFE SIGNPOSTS, LIGHTING COLUMNS AND TRAFFIC SIGNAL POLES TO BS EN 12767).
- IN ORDER TO HIGHLIGHT THEIR PRESENCE TO VISUALLY IMPAIRED PEDESTRIANS (SEE DFT INCLUSIVE MOBILITY PARA 3.9), TRAFFIC SIGNAL POLES (EXCEPT THOSE ON WHICH PUSH BUTTONS ARE MOUNTED) WHICH ARE TO BE INSTALLED IN FOOTWAY AREAS OR WITHIN 0.5m OF A FOOTWAY OR CYCLEWAY, SHALL HAVE A 150 DEEP SELF ADHESIVE BAND APPLIED AT BETWEEN 1.5m AND 1.6m TO THE BOTTOM EDGE ABOVE GROUND LEVEL. THE BAND SHALL BE A RETROREFLECTIVE MATERIAL TO BS 873 CLASS 1 OR 2. THE ENDS OF THE TAPE SHALL BE SECURED TO RESIST REMOVAL.

NOTES:

- ALL DIMENSIONS ARE IN MILLIMETRES.
- RETENTION SOCKETS SHALL BE ABLE TO WITHSTAND A TURNING MOMENT OF 3.4kNm THROUGH A LOAD OF 230kg AT 1.5m FROM THE CENTRE OF THE POST WITHOUT ANY ROTATION.
- DUCTS SHALL BE ORANGE AND LABELLED 'TRAFFIC SIGNALS' AT MAXIMUM 1m INTERVALS.
- RETENTION SOCKETS TO BE INSTALLED IN ACCORDANCE WITH THE MANUFACTURER'S INSTRUCTIONS.
- THE CIVIL ENGINEERING CONTRACTOR SHALL BE RESPONSIBLE FOR ENSURING THE VERTICAL ALIGNMENT OF THE POLE RETENTION SOCKET IN ACCORDANCE WITH THE MANUFACTURER'S INSTRUCTIONS.
- THE CONTRACTOR SHALL PROVE TO THE HCC ITS ENGINEER THAT THE SOCKET IS VERTICALLY ALIGNED.
- TRAFFIC SIGNAL POLES SHALL BE INSTALLED BY THE TRAFFIC SIGNAL CONTRACTOR.
- A DRAW ROPE SHALL BE TAKEN FROM THE NEAREST DRAW PIT INTO THE SIDE CHAMBER OF THE RETENTION SOCKET.
- ANNOTATED DIMENSIONS REFER TO 4m TALL SIGNAL POLES LOCATED IN FOOTWAYS/ISLANDS. DIMENSIONS IN BRACKETS REFER TO 4m TALL SIGNAL POLES LOCATED IN HIGH SPEED/VERGE INSTALLATIONS.
- ROADS WITH A SPEED LIMIT OF 50mph OR GREATER SHALL BE CONSIDERED AS HIGH SPEED. FOR SIGNAL POLES ON SUCH ROADS, OR WHERE SIGNAL POLES ARE LOCATED IN VERGES AND WHERE SPECIFIED ON THE TRAFFIC SIGNAL DRAWING, THE CONCRETE FOUNDATION FOR A 4m TALL SIGNAL POLE SHALL BE 1200 x 1200 AND THE DUCKFOOT BEND SHALL BE 750 DEEP. FOR A 6m TALL SIGNAL POLE, ON A HIGH SPEED INSTALLATION OR IN A VERGE, THE CONCRETE FOUNDATION SHALL BE 1100 BY 1100 AND THE DUCKFOOT BEND SHALL BE 900 DEEP.

REV	AMENDMENTS	DATE	CAD	CHKD	APPD
-	-	-	-	-	-

CONSULTANT



STUART JARVIS BSc DipTP FCIHT MRTPI DIRECTOR OF ECONOMY, TRANSPORT & ENVIRONMENT

SCHEME

STANDARD DETAILS

DRAWING TITLE

TRAFFIC SIGNAL RETENTION POLE SOCKETS

HCC CADplot: 18.Sep.2015 at 2:17pm

DRAWN	CHECKED	SCALE @ A3
MC	JM	N.T.S
CAD	APPROVED	DATE
MC	CP	July 2015
DRG No.	REVISION	
HCC10/T/035	-	

Copyright Hampshire County Council, 2015  
All rights, including translation, reserved. No part of this publication may be reproduced, stored in a retrieval system, or transmitted in any form or by any means (electronic, mechanical, photocopying, recorded or otherwise) without the prior written permission of Hampshire County Council. Requests should be directed to the Economy, Transport & Environment Department.