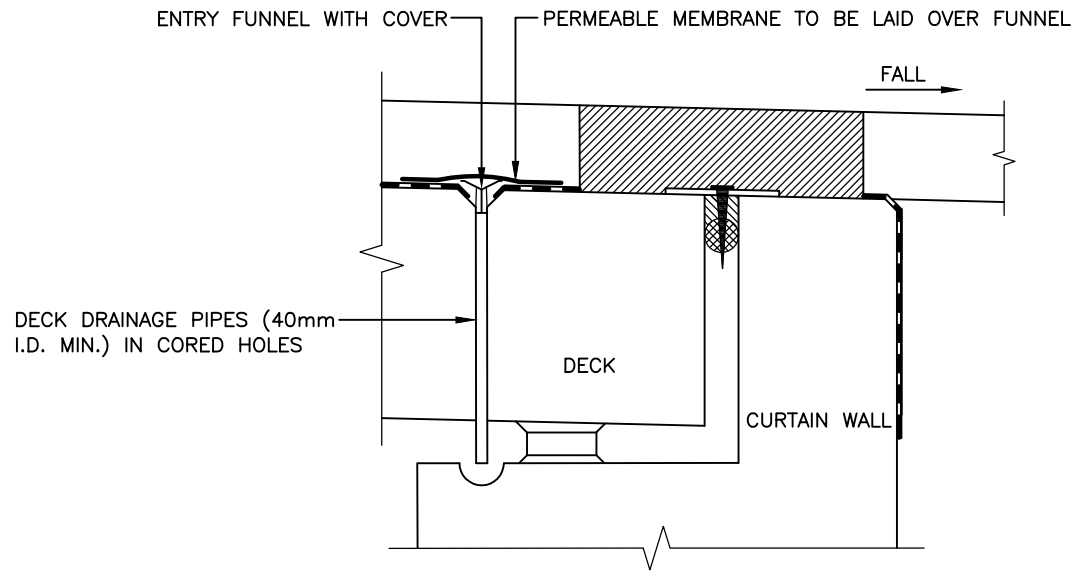


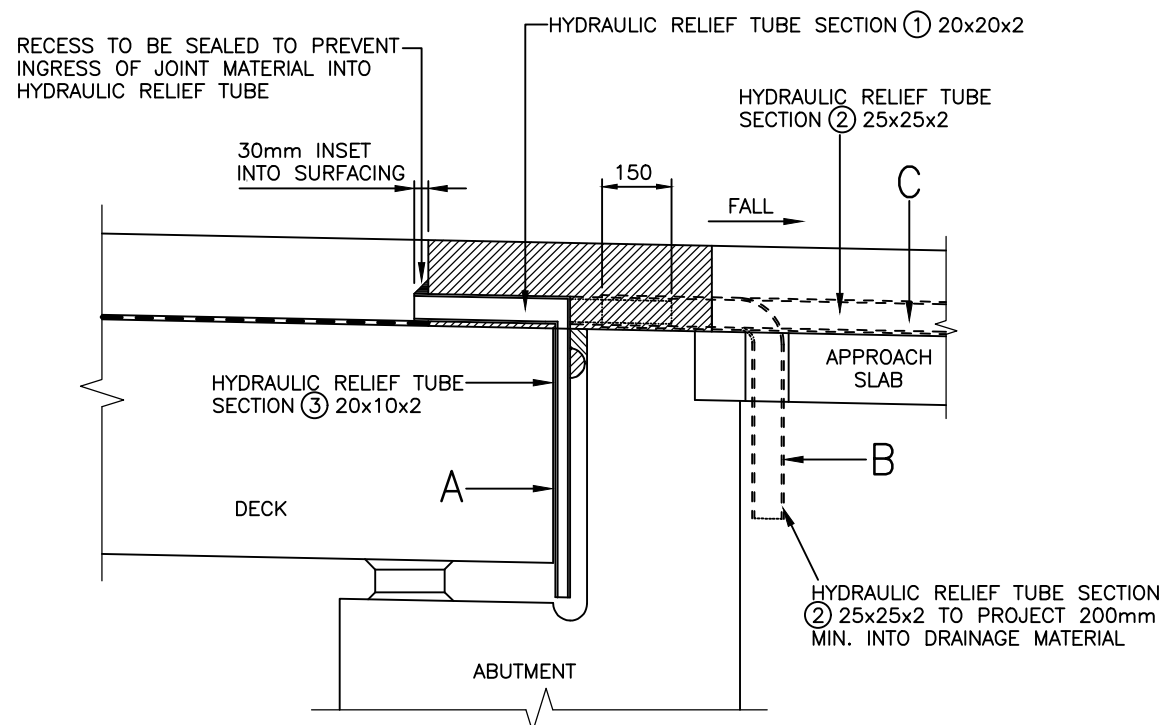
**SECTION D-D**

METHOD OF DRAINAGE AT PIER POSITION



**SECTION D-D**

ALTERNATIVE TO HYDRAULIC RELIEF TUBES DRAINAGE THROUGH DECK



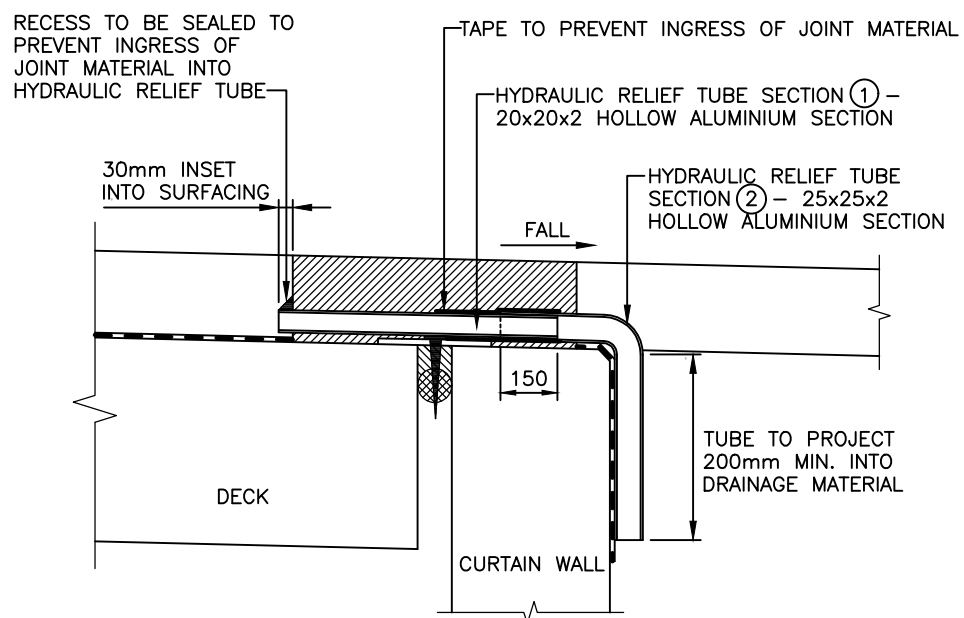
**SECTION D-D**

ALTERNATIVE METHODS OF DRAINAGE FOR BRIDGES WITH APPROACH SLABS

- A. DRAIN DOWN EXPANSION GAP IF SUFFICIENT SPACE AVAILABLE.
- B. DRAIN THROUGH CORED HOLE IN APPROACH SLAB.
- C. DRAIN TO END OF SLAB.
- D. DECK DRAINAGE PIPES THROUGH DECK.

IF FALL IS TOWARDS BRIDGE, CORE 100 DIA. DRAINAGE HOLES THROUGH APPROACH SLAB AT LOW POINTS

Copyright Hampshire County Council. 2019  
All rights, including translation, reserved. No part of this publication may be reproduced, stored in a retrieval system, or transmitted in any form or by any means (electronic, mechanical, photocopied, recorded or otherwise) without the prior written permission of Hampshire County Council. Requests should be directed to the Economy, Transport & Environment Department.



**SECTION D-D**

DRAINAGE TO BACK OF CURTAIN WALL

**NOTES:**

1. ALL DIMENSIONS ARE IN MILLIMETRES.
2. FOR LOCATION OF SECTIONS, REFER TO DRAWING No. HCC11/S/025.

REV	AMENDMENTS	DATE	CAD	CHKD	APPD

CONSULTANT

STUART JARVIS BSc DipTP FCIHT MRTPI: DIRECTOR OF ECONOMY, TRANSPORT & ENVIRONMENT

SCHEME

**STANDARD DETAILS**

DRAWING TITLE

**REPLACEMENT OR REINSTATEMENT OF EXPANSION JOINTS**  
Sheet 3 of 3

HCC CADplot: 25.Feb.2020 at 3:26pm					
DRAWN	MT	CHECKED	JB	SCALE @ A3	N.T.S
CAD	WW	APPROVED	BH	DATE	March 2020
DRG No.	HCC11/S/035			REVISION	

Use only in conjunction with HCC11/S/025 Standard Details (See also HCC11/S/025 Standard Details) As Issued Dec 2011\HCC11 2020 STANDARD DETAILS © 2015 HCC