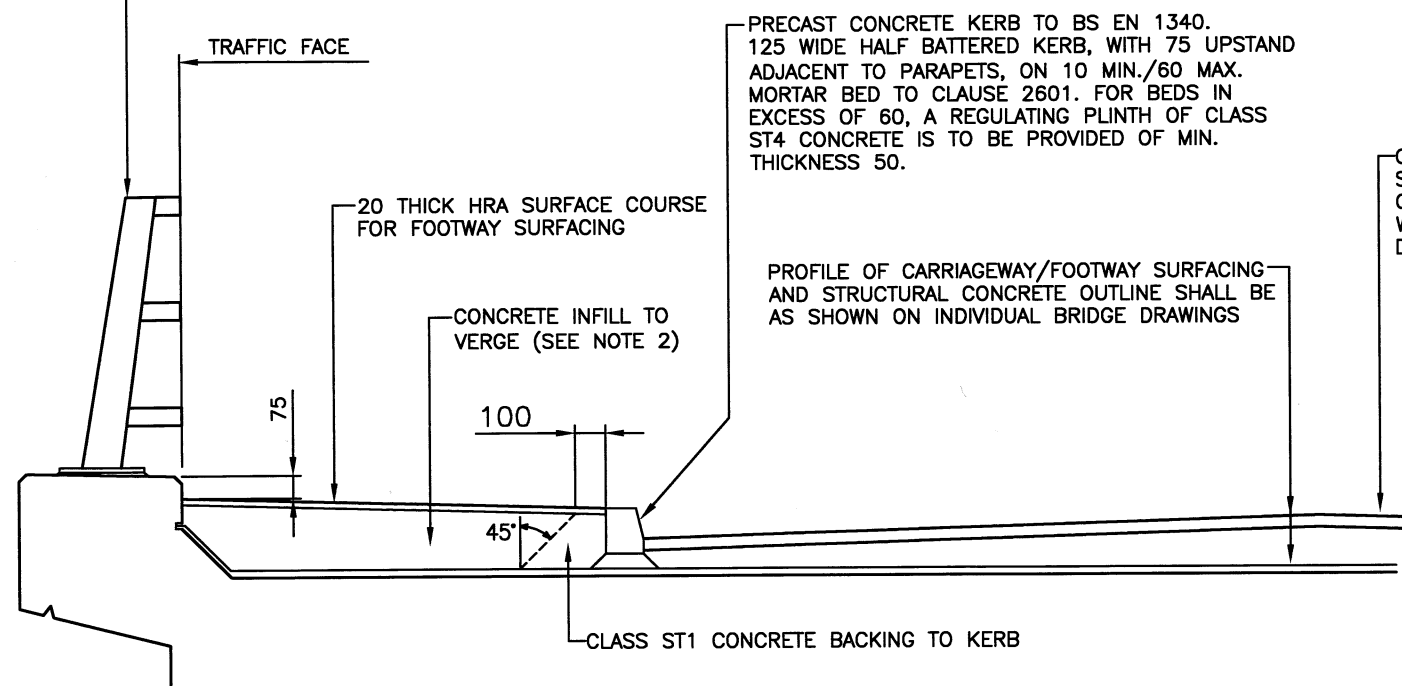


PARAPET TYPE AS SHOWN ON INDIVIDUAL BRIDGE DRAWINGS WITH BASE PLATES ON MIN.15 MORTAR BED TO CLAUSE 2601.



PRECAST CONCRETE KERB TO BS EN 1340. 125 WIDE HALF BATTERED KERB, WITH 75 UPSTAND ADJACENT TO PARAPETS, ON 10 MIN./60 MAX. MORTAR BED TO CLAUSE 2601. FOR BEDS IN EXCESS OF 60, A REGULATING PLINTH OF CLASS ST4 CONCRETE IS TO BE PROVIDED OF MIN. THICKNESS 50.

PROFILE OF CARRIAGEWAY/FOOTWAY SURFACING AND STRUCTURAL CONCRETE OUTLINE SHALL BE AS SHOWN ON INDIVIDUAL BRIDGE DRAWINGS

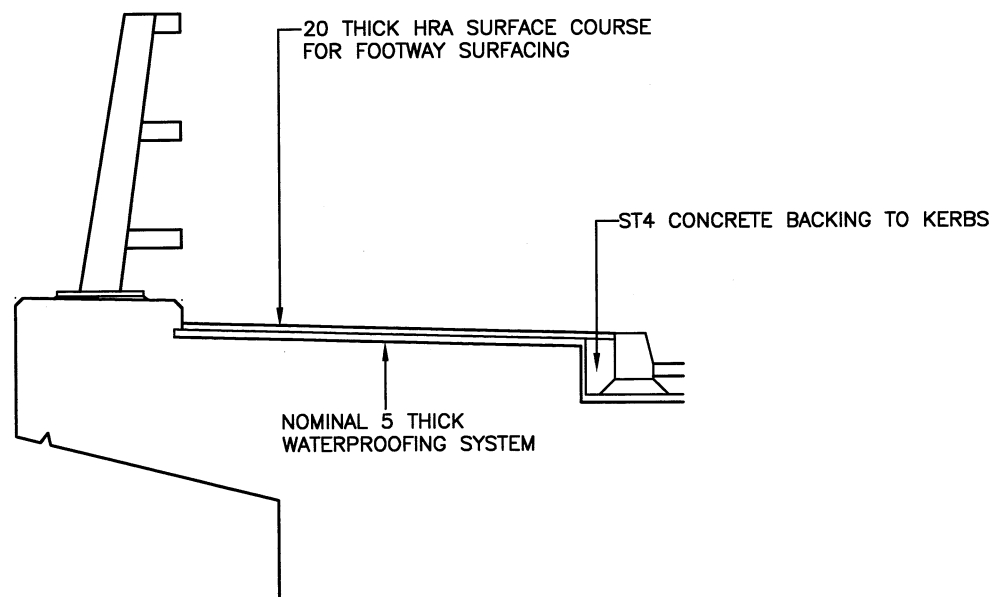
CARRIAGEWAY SURFACING SHALL BE 40 THICK HRA SURFACE COURSE ON REGULATING COURSE OF HRA OF NOMINAL THICKNESS 60 AT CHANNELS, EXCEPT WHERE SHOWN OTHERWISE ON INDIVIDUAL BRIDGE DRAWINGS. MIN. TOTAL THICKNESS SHALL BE 100.

ALL SERVICES TO BE FIXED 50 CLEAR OF DECK PROTECTION.

NOMINAL 5 THICK WATERPROOFING SYSTEM.

WATERPROOFING LAYER TUCKED INTO CHASE AND SEALED WITH COLD APPLIED BITUMINOUS PUTTY. CHASE CONTINUED ON SUB-STRUCTURE TO BACK OF WING WALL/ABUTMENT SPLAY (OMIT FOR SPRAY APPLIED SYSTEM).

### SECTION THROUGH BRIDGE DECK



### SECTION THROUGH FOOTWAY

FOR BRIDGES WITH STRUCTURAL CONCRETE UPSTAND BEHIND KERB

### NOTES:

1. ALL DIMENSIONS ARE IN MILLIMETRES.
2. FINISHES TO VERGES:
  - a) WHEN THE APPROACH FOOTPATH/VERGE HAS BITUMINOUS SURFACING, THE FOOTPATH/VERGE CONSTRUCTION OVER THE BRIDGE SHALL BE ST1 CONCRETE AND 20 THICK BITUMINOUS SURFACING.
  - b) WHEN THE APPROACH VERGE IS GRASS, THE VERGE CONSTRUCTION OVER THE BRIDGE SHALL BE ST4 CONCRETE.
  - c) WHEN THE APPROACH FOOTPATH/VERGE IS CONCRETE, THE FOOTPATH/VERGE CONSTRUCTION OVER THE BRIDGE SHALL BE ST4 CONCRETE.

A	KERB SPECIFICATION REVISED.	27.02.17	WW	MT	BH.
REV	AMENDMENTS	DATE	CAD	CHKD	APPD

CONSULTANT



SCHEME

STANDARD DETAILS

DRAWING TITLE

FINISHES TO UNDERBRIDGES

HCC CADplot: 01.Mar.2017 at 10:11am

DRAWN	WW	CHECKED	MT, MT	SCALE @ A3	N.T.S
CAD	WW	APPROVED	CP, CP	DATE	July 2015
DRG No.	HCC10/S/030			REVISION	A

Copyright Hampshire County Council. 2015

All rights, including translation, reserved. No part of this publication may be reproduced, stored in a retrieval system, or transmitted in any form or by any means (electronic, mechanical, photocopied, recorded or otherwise) without the prior written permission of Hampshire County Council. Requests should be directed to the Economy, Transport & Environment Department.