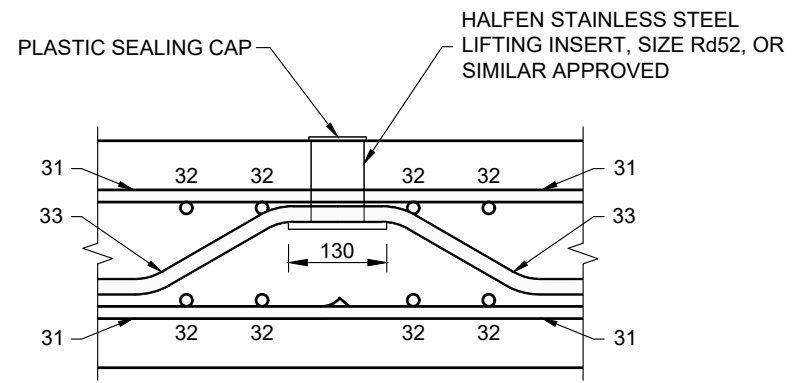


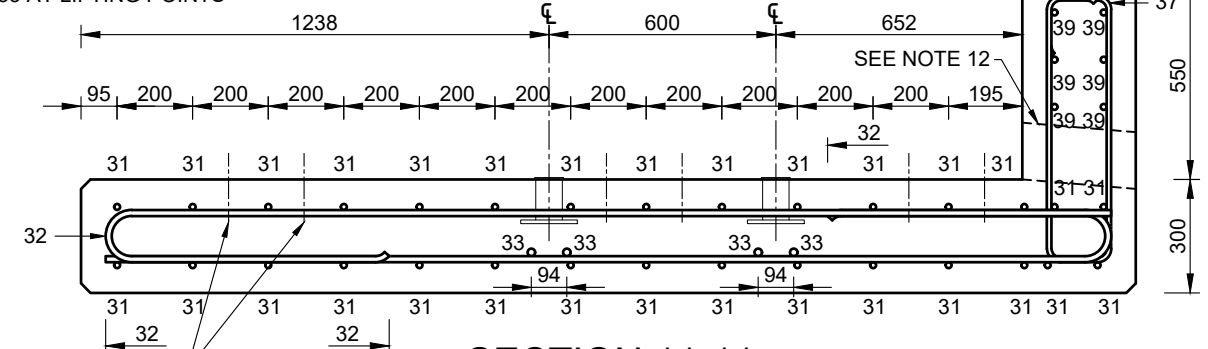
PLAN ON PRECAST UNIT P3
SCALE 1:20

- NOTES CONTINUED**
- ALL BURIED CONCRETE SURFACES SHALL BE PAINTED TO WITHIN 300mm OF FINISHED GROUND LEVEL IN ACCORDANCE WITH CLAUSE 2004 PRIOR TO LIFTING.
 - THE PRECAST UNIT SHALL NOT BE CRANED UNTIL THE CONCRETE HAS A MINIMUM COMPRESSIVE STRENGTH OF 15N/mm².
 - THE CONTRACTOR SHALL NOTE THE CRITICAL SETTING OUT POSITIONS OF THE LIFTING INSERTS AND BAR MARKS 31, 32 AND 33 TO AVOID CLASHES WITH BASE PLATE FIXINGS.
 - THE CONTRACTOR SHALL ALLOW FOR THE MOUNTING OF THE ANIMAL ESCAPE RAMP (SEE HCC11/M/130 DETAIL E) AND THE INSERTION OF THE DRAINAGE PIPE (WITH A 1:12 FALL INTO THE SIDE WALL) DURING STEEL FIXING, WITH 50mm MINIMUM COVER TO REINFORCEMENT ACHIEVED BY LOCAL ADJUSTMENT OF REBAR.
 - THE CONTRACTOR SHALL ENSURE BAR MARK 33 LOOPS OVER THE TOP OF THE LIFTING INSERT BASE PLATE AND IS ORIENTATED CORRECTLY TO SATISFY MINIMUM COVER

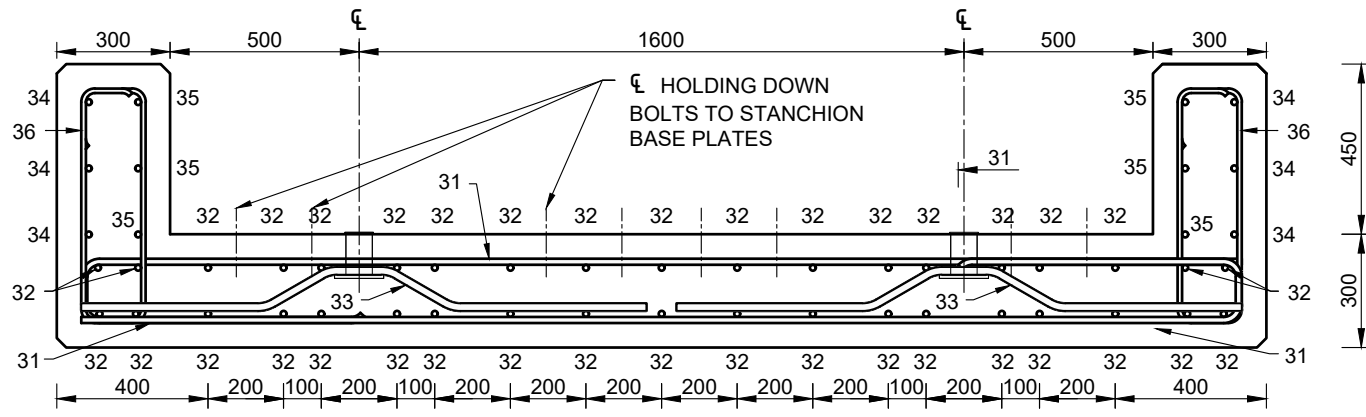
- NOTES**
- ALL DIMENSIONS ARE IN MILLIMETRES UNLESS OTHERWISE STATED.
 - ALL EXPOSED ARISSES SHALL BE 25 X 25 CHAMFER UNLESS SHOWN OTHERWISE.
 - CONCRETE SHALL BE PAV2 C32/40 USING FREEZE-THAW AGGREGATES (20mm), AIR ENTRAINMENT OF 4.5% BY VOLUME AND A MINIMUM CEMENT CONTENT OF 340kg/m³. CONCRETE FINISHES SHALL BE:-
U3 - TOP OF CONCRETE UPSTANDS
U2 - ALL OTHER UNFORMED SURFACES
F3 - ALL EXPOSED FORMED SURFACES
F1 - ALL UNEXPOSED FORMED SURFACES
 - NOMINAL COVER SHALL BE 65mm WHICH INCLUDES AN ALLOWANCE FOR DEVIATION OF 15mm. IE MINIMUM COVER SHALL BE 50mm UNLESS NOTED OTHERWISE.
 - BAR TYPE B SHALL BE GRADE B500B OR GRADE B500C RIBBED BARS TO BS4449:2005. TYING WIRE TO ALL REINFORCEMENT SHALL BE 1.2mm DIAMETER STAINLESS STEEL. WELDING OF REINFORCEMENT SHALL NOT BE PERMITTED.
 - THE UNITS SHALL BE LIFTED USING 4 No. HALFEN PRECAST INSERT SYSTEM OR SIMILAR APPROVED. THE LIFTING INSERTS SHALL BE Rd52 STAINLESS STEEL WITH COMPATIBLE PLASTIC SEALING CAPS AND SWIVEL LIFTING EYES. THE UNIT SHALL ONLY BE LIFTED AT THE POINTS SHOWN ON THE DRAWING USING 3 SPREADER BEAMS.
 - THE CONTRACTOR SHALL SCABBLE ALL CONSTRUCTION JOINTS PRIOR TO SUBSEQUENT POURS.
 - REINFORCEMENT:-
No. OF BARS BAR DIAMETER BAR SPACING
 14 B 16 - 01 - 220 - T
BAR TYPE BAR MARK
 T = TOP
 B = BOTTOM
 ABR = ALTERNATE BARS REVERSED
 NF = NEAR FACE / FF = FAR FACE



SECTION 13-13
SCALE 1:10



SECTION 11-11
SCALE 1:20



SECTION 12-12
SCALE 1:20

Copyright Hampshire County Council.
All rights, including translation, reserved. No part of this publication may be reproduced, stored in a retrieval system, or transmitted in any form or by any means (electronic, mechanical, photocopied, recorded or otherwise) without the prior written permission of Hampshire County Council. Requests should be directed to Hampshire Engineering Services.

A	BRANDING UPDATED, COPYRIGHT AMENDED AND NEW DIRECTORATE DETAILED.	12.02.2023	CLT/AC	MB	BJ
REV	AMENDMENTS	DATE	CAD	CHKD	APPD

CONSULTANT

Hampshire County Council Hampshire Engineering Services

TIM LAWTON BEng CEng FICE FCIHT : ASSISTANT DIRECTOR OF UNIVERSAL SERVICES

SCHEME

STANDARD DETAILS

DRAWING TITLE

PRECAST CATTLE GRID REINFORCEMENT DETAILS FOR PRECAST UNIT P3

DESIGNER	CHECKED	SCALE @ A3
RAH	JB JB	N.T.S
CAD	APPROVED	DATE
AC	BH BH	March 2020
DRAWING NUMBER	REV	
HCC11/M/120	A	