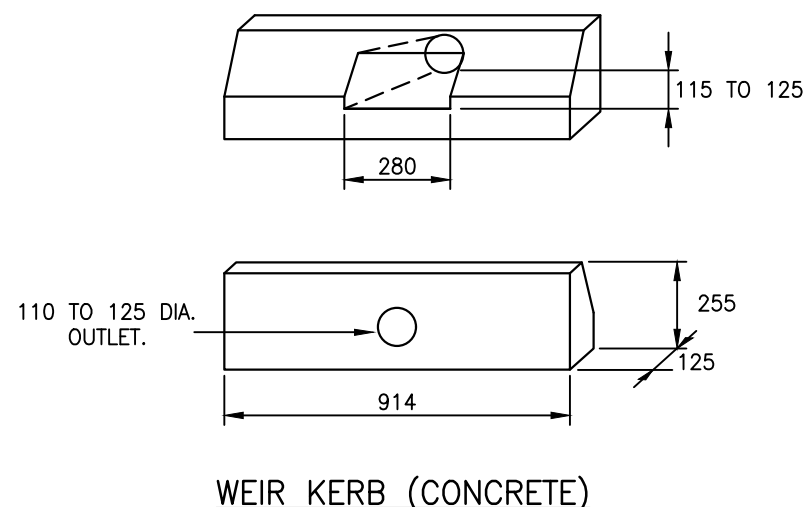
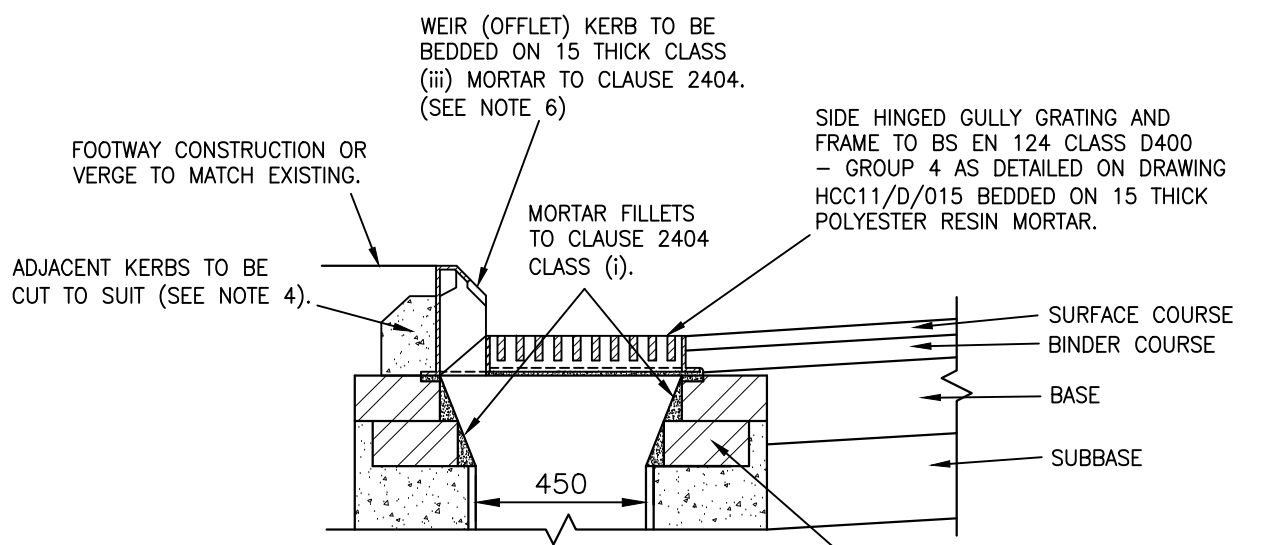


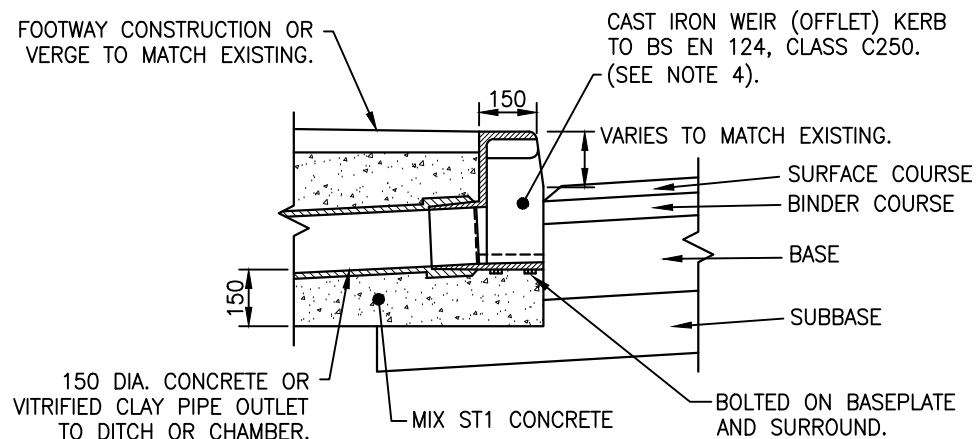
**SECTION THROUGH  
WEIR KERB (CONCRETE) AND OUTLET**



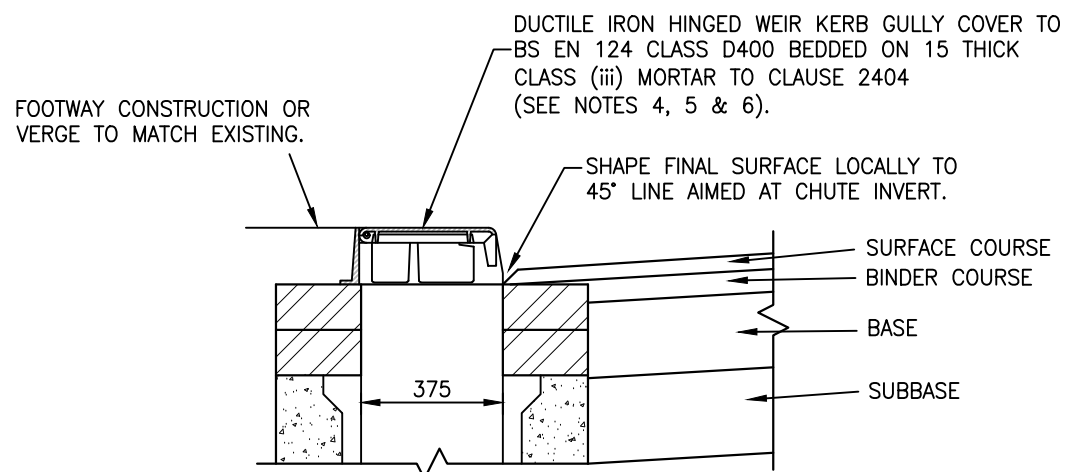
**WEIR KERB (CONCRETE)**



**SECTION THROUGH COMBINED  
GULLY AND WEIR KERB  
(CAST IRON) TYPE 1**



**SECTION THROUGH  
WEIR KERB (CAST IRON) AND OUTLET**



**SECTION THROUGH COMBINED  
GULLY AND WEIR KERB  
(CAST IRON) TYPE 2**

**NOTES:**

1. ALL DIMENSIONS ARE IN MILLIMETRES.
2. THE USE OF CONCRETE AND CAST IRON WEIR (OFFLET) KERBS SHALL BE RESTRICTED TO USE FOR MAINTENANCE / REPLACEMENT PURPOSES ONLY AND NOT FOR USE IN NEW SITUATIONS.
3. KERB TYPES (e.g. PC1 AND PC2) SHALL BE AS DETAILED ON DRAWING No. HCC11/C/010.
4. KERB ABUTTING CAST IRON WEIR (OFFLET) KERBS SHALL BE CUT AS REQUIRED TO ACCOMMODATE FLANGES
5. DUE TO THE DIMENSIONS OF THE FRAME THIS UNIT WILL NEED TO BE USED IN CONJUNCTION WITH A 375 DIA PRECAST CONCRETE GULLY POT, TYPE 2 GULLY OF INTERNAL DIMENSIONS TO SUIT OR 450 DIA PRECAST OR INSITU GULLY WITH 65 THICK BUILDER'S LINTELS TO SPAN THE POT AND SUPPORT THE REAR OF THE UNIT. WHERE THE GULLY POT IS TO BE REPLACED IT SHALL BE SPECIFIED ELSEWHERE.
6. IF GULLY IS TO BE TRAFFICKED WITHIN 48 HOURS OF BRICKWORK CONSTRUCTION, A RAPID HARDENING CEMENTITIOUS MORTAR SHALL BE USED.

Copyright Hampshire County Council. 2019

All rights, including translation, reserved. No part of this publication may be reproduced, stored in a retrieval system, or transmitted in any form or by any means (electronic, mechanical, photocopied, recorded or otherwise) without the prior written permission of Hampshire County Council. Requests should be directed to the Economy, Transport & Environment Department.

REV	AMENDMENTS	DATE	CAD	CHKD	APPD

CONSULTANT

STUART JARVIS BSc DipTP FCIHT MRTPI: DIRECTOR OF ECONOMY, TRANSPORT & ENVIRONMENT

SCHEME

**STANDARD DETAILS**

DRAWING TITLE

**TYPICAL DETAILS OF  
WEIR (OFFLET) KERBS**

HCC CADplot: 06.Mar.2020 at 2:13pm					
DRAWN	RB	CHECKED	AH	SCALE @ A3	N.T.S
CAD	RB	APPROVED	SDG	DATE	March 2020
DRG No.	HCC11/M/060				REVISION

Use only in conjunction with the Standard Details (Scheme) as indicated on the drawing. Do not use for any other purpose.