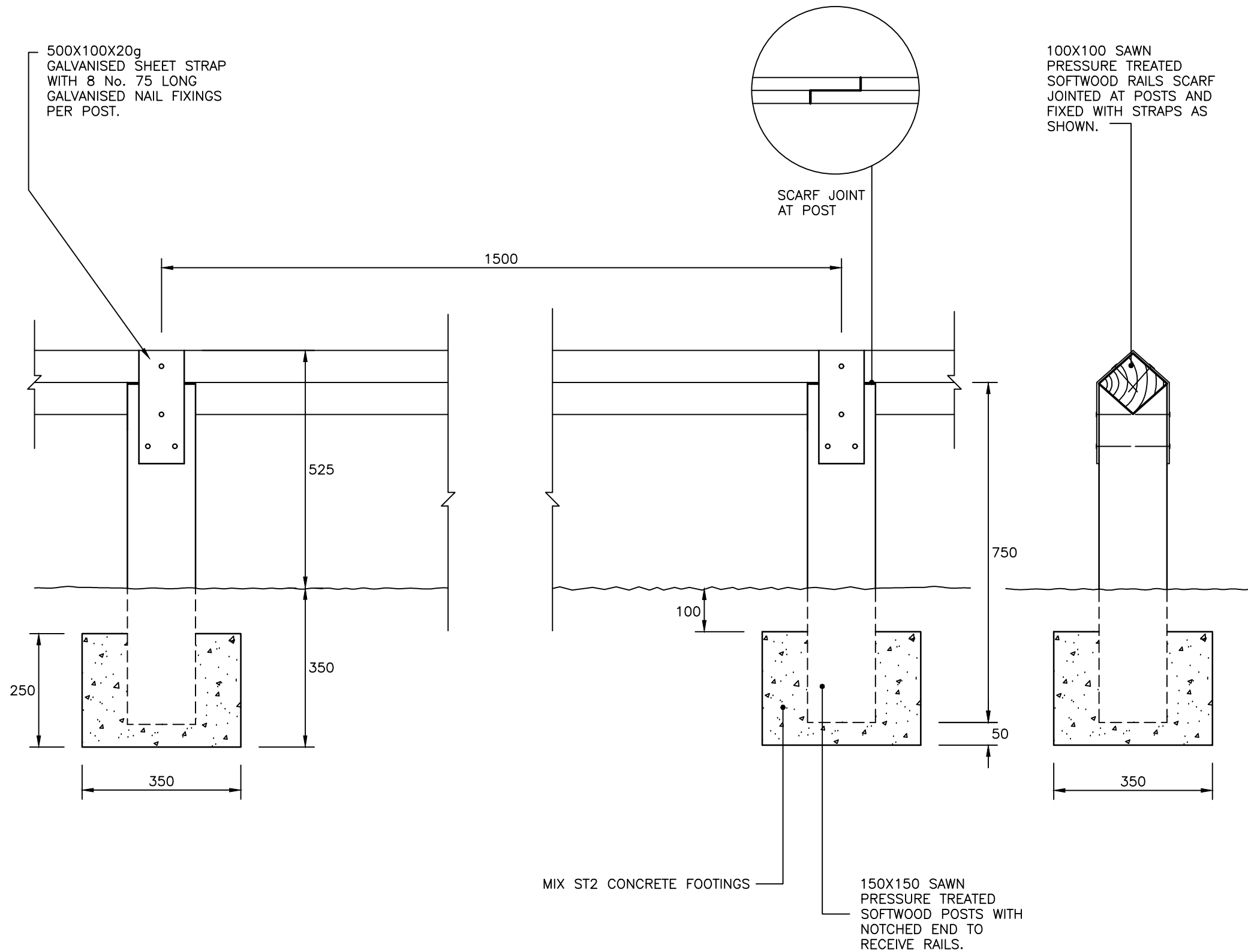


NOTES:

1. ALL DIMENSIONS ARE IN MILLIMETRES.
2. CONCRETE FOOTING REQUIREMENT MAY BE OMITTED IF SPECIFIED ELSEWHERE IN THE CONTRACT.
3. ALL TIMBER SHALL BE SUPPLIED FROM A SUSTAINABLE SOURCE.



REV	AMENDMENTS	DATE	CAD	CHKD	APPD

CONSULTANT

STUART JARVIS BSc DipTP FCILT MRTPI: DIRECTOR OF ECONOMY, TRANSPORT & ENVIRONMENT

SCHEME

STANDARD DETAILS

DRAWING TITLE

WOODEN BIRDLIP FENCING

HCC CADplot: 06.Mar.2020 at 2:10pm

DRAWN	CHECKED	SCALE @ A3
RB	AH <i>AH</i>	N.T.S
CAD	APPROVED	DATE
RB	SDG <i>SDG</i>	March 2020
DRG No.	REVISION	
HCC11/M/055		

Copyright Hampshire County Council. 2019

All rights, including translation, reserved. No part of this publication may be reproduced, stored in a retrieval system, or transmitted in any form or by any means (electronic, mechanical, photocopied, recorded or otherwise) without the prior written permission of Hampshire County Council. Requests should be directed to the Economy, Transport & Environment Department.

I:\Projects\2011\HCC11_2020_STANDARD_DETAILS\M_Series\M_055.dwg