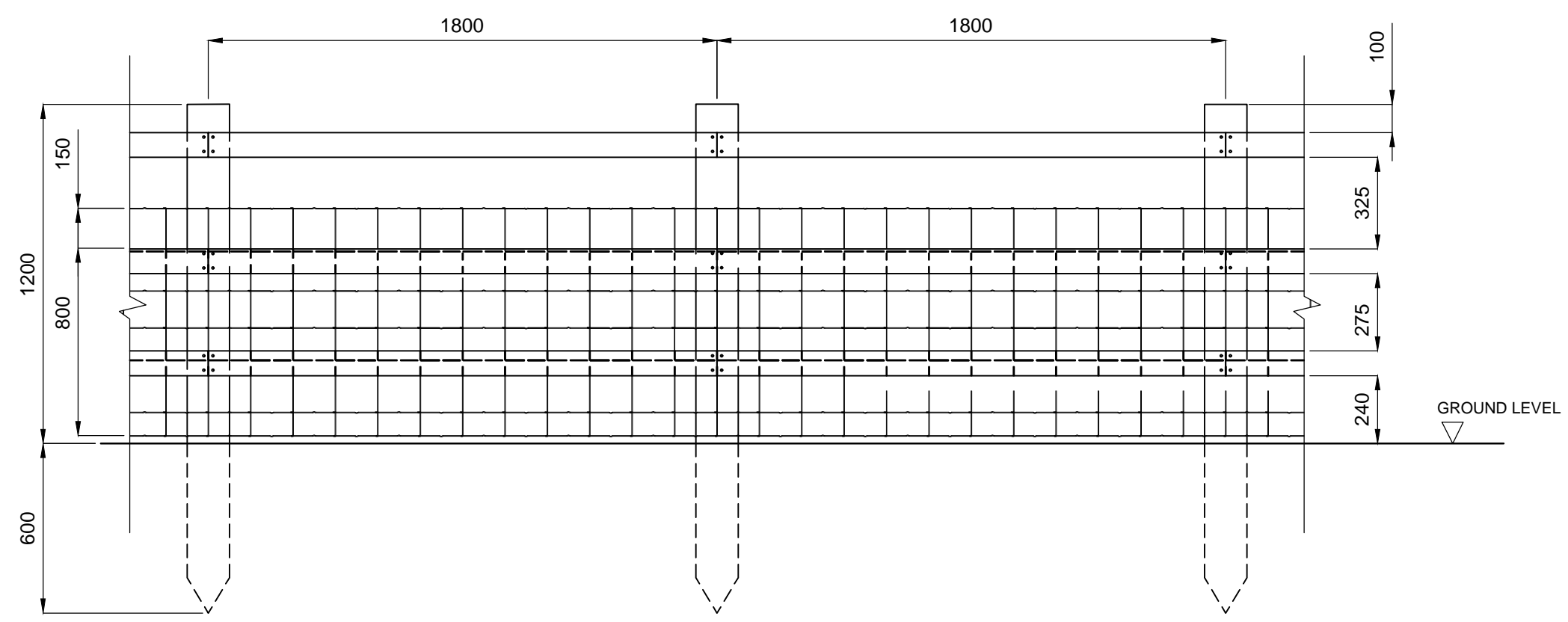


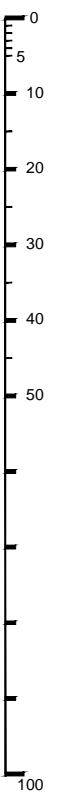
**PLAN VIEW**



**ELEVATION**

**NOTES**

1. ALL DIMENSIONS ARE IN MILLIMETRES.
2. LONGER POSTS MAY BE REQUIRED WHERE GROUND CONDITIONS ARE POOR. THIS IS TO BE CONFIRMED BY THE OVERSEEING ORGANISATION PRIOR TO INSTALLATION.
3. POSTS ARE TO BE ON THE CARRIAGEWAY SIDE UNLESS INDICATED OTHERWISE ON THE CONTRACT DRAWINGS PLAN.
4. RECTANGULAR WOVEN MESH TO BE TYPE HT9/100/15 AND COMPLY WITH BS EN 10223-5:2012. GALVANISED TO BS EN 10244:2001.
5. TIMBER IS TO COMPLY WITH CL. 304 UNLESS OTHERWISE STATED IN APPENDIX 1/15.



B	COPYRIGHT AMENDED AND NEW DIRECTORATE DETAILED	10.02.2023	AM	PR	
A	BRANDING UPDATED	20.07.2022	CLT	PR	SDG
REV	AMENDMENTS	DATE	CAD	CHKD	APPD

CONSULTANT




TIM LAWTON BEng CEng FICE FCIHT : ASSISTANT DIRECTOR OF UNIVERSAL SERVICES

SCHEME

**STANDARD DETAILS**

DRAWING TITLE

**TYPICAL POST AND RAIL FENCING**

DESIGNER	CHECKED	SCALE @ A3
DF	AH   AH	N.T.S
CAD	APPROVED	DATE
DF	SDG   SDG	March 2020
DRAWING NUMBER	REV	
HCC11/M/200	B	

Copyright Hampshire County Council.

All rights, including translation, reserved. No part of this publication may be reproduced, stored in a retrieval system, or transmitted in any form or by any means (electronic, mechanical, photocopied, recorded or otherwise) without the prior written permission of Hampshire County Council. Requests should be directed to Hampshire Engineering Services.