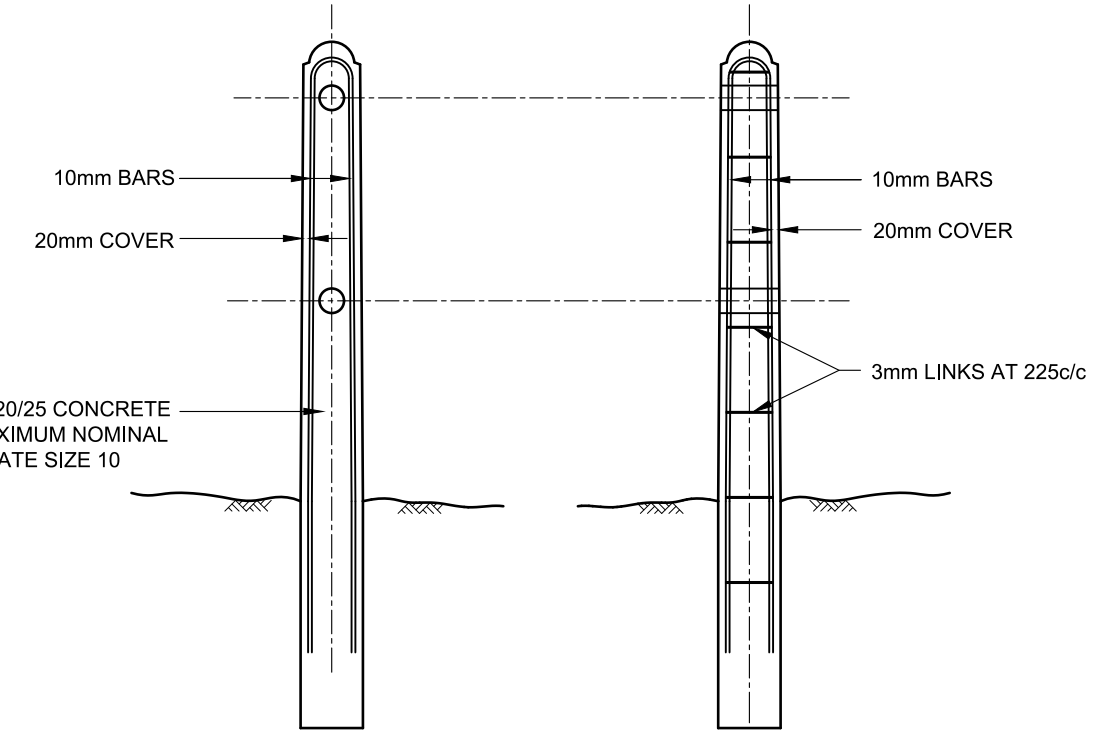
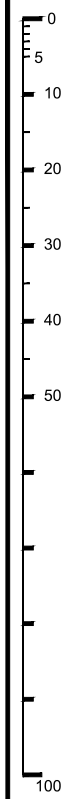


**NOTES**

1. ALL DIMENSIONS ARE IN MILLIMETRES.
2. CLEARANCE BETWEEN FENCING AND EDGE OF CARRIAGEWAY TO BE AS SPECIFIED ELSEWHERE IN THE CONTRACT.
3. AT ENDS OF FENCING, TUBULAR STEEL END LOOPS SHALL BE INCLUDED. MATERIAL TO BE AS FOR RAILS. FIXING TO BE ACHIEVED USING CLAMP FITTING.



A	BRANDING UPDATED	18.07.2022	CLT	PR	
REV	AMENDMENTS	DATE	CAD	CHKD	APPD

CONSULTANT

STUART JARVIS BSc DipTP FCIHT MRTPI: DIRECTOR OF ECONOMY, TRANSPORT & ENVIRONMENT

SCHEME

## STANDARD DETAILS

DRAWING TITLE

## CONCRETE POST AND TUBULAR STEEL PEDESTRIAN FENCING

DESIGNER	CHECKED	SCALE @ A3
RB	AH   AH	N.T.S
CAD	APPROVED	DATE
RB	SDG   SDG	March 2020
DRAWING NUMBER	REV	
HCC11/M/045	A	

Copyright Hampshire County Council. 2022

All rights, including translation, reserved. No part of this publication may be reproduced, stored in a retrieval system, or transmitted in any form or by any means (electronic, mechanical, photocopied, recorded or otherwise) without the prior written permission of Hampshire County Council. Requests should be directed to the Economy, Transport & Environment Department.