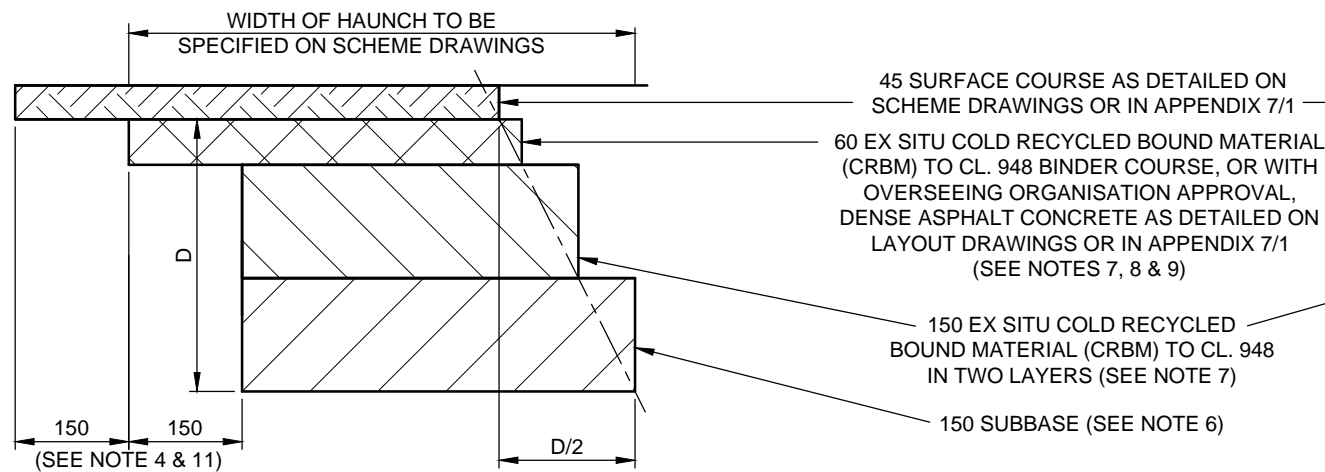
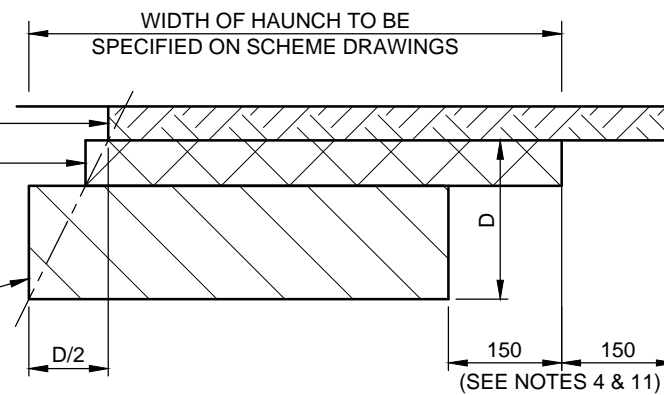


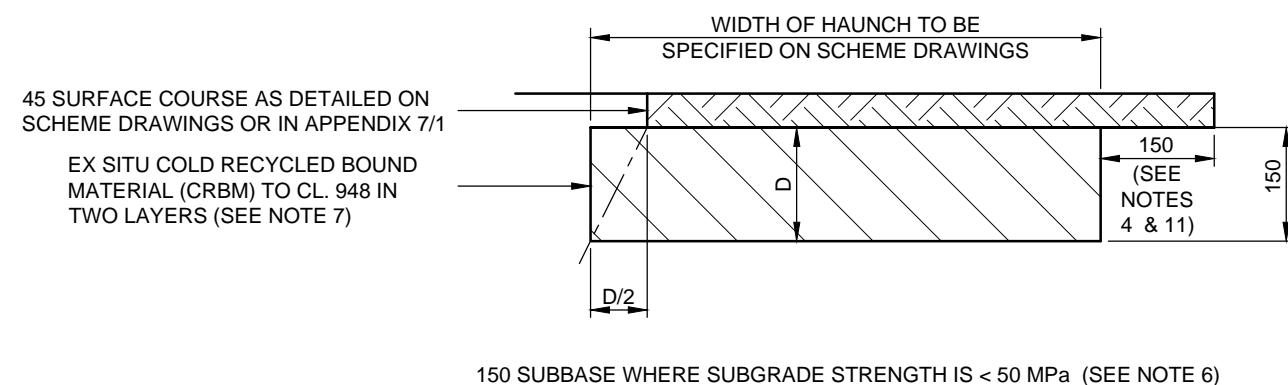
**B ROADS CARRYING LESS THAN 200 CVD
OPTION 1 - SUBGRADE STRENGTH < 50 MPa**



**B ROADS CARRYING LESS THAN 200 CVD
OPTION 2 - SUBGRADE STRENGTH 50 MPa**

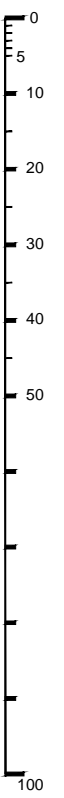


C AND UNCLASSIFIED ROADS



NOTES

- ALL DIMENSIONS ARE IN MILLIMETRES
- HAUNCHES SHALL BE AT LEAST 1.3m WIDE TO ENABLE A SUFFICIENTLY LARGE ROLLER TO ENSURE ADEQUATE COMPACTION. HOWEVER, WIDTH MAY BE REDUCED WHERE IT CAN BE PROVEN THAT ADEQUATE COMPACTION CAN BE ACHIEVED WITH A SMALLER ROLLER. SUBJECT TO THE APPROVAL OF THE OVERSEEING ORGANISATION, THE HAUNCH WIDTH MAY BE REDUCED TO A MINIMUM OF 500 IF A TRENCH COMPACTOR IS USED TO COMPACT THE SUBBASE, BASE AND BINDER LAYERS.
- HAUNCH REPAIRS FOR ALL ROADS CARRYING MORE THAN 200 CVD SHALL BE DESIGNED USING DMRB OR TRL REPORT 611
- WHERE THE STEPPED JOINT ENCROACHES INTO THE WHEEL TRACK, THE WIDTH SHALL BE INCREASED AS AGREED WITH OVERSEEING ORGANISATION.
- CONSULTATION WILL BE REQUIRED WITH THE AREA OFFICES FOR HAUNCHING IN THE NATIONAL PARKS, AS THE EDGE OF CARRIAGEWAY CANNOT BE WIDENED AS SHOWN ON THIS DRAWING
- SUBBASE SHALL BE TO CL. 803, OR, WITH OVERSEEING ORGANISATION APPROVAL, TO CL. 807, CL. 822 OR, WHERE PERMITTED, CL. 893AR.
- CRBM TO CL 948 SHALL BE QVE, B4 WITH REFERENCE TO BS 9228 AND CBGM SHALL BE C8/10 TO CL. 822 WITH REFERENCE TO BS 9227.
- WHERE NOT OVERLAID WITHIN 4 HOURS, THE SURFACE OF ANY LAYER OF CRBM OR CBGM SHALL BE SEALED WITH A COAT OF K1-40 EMULSION COMPLYING WITH BS 594987.
- WHERE CIRCUMSTANCES DICTATE THAT THE CRBM MUST BE TRAFFICKED, IT SHALL BE BLINDED WITH COATED GRIT AC4 FINE SURF (BACT 1.5-3.5) 160/220 TO PD 6691 TABLE B15 x 16 AND SLIPPERY ROAD SIGNS SHALL BE PROVIDED.
- NO PLANT OR VEHICLES SHALL BE PERMITTED TO PARK ON ANY HAUNCH CONTAINING CRBM OR CBGM UNTIL THE FINAL SURFACE COURSE HAS BEEN APPLIED.
- TREATMENT OF LAYERS AND VERTICAL SURFACES SHALL BE IN ACCORDANCE WITH CL. 903. THE BOND COAT SHALL BE IN ACCORDANCE WITH APPENDIX 7/4.



B	COPYRIGHT AMENDED AND NEW DIRECTORATE DETAILED	10.02.2023	AM	PR	
A	SUBBASE TO CL. 893AR DELETED, CL. 822 AND CL. 948 ADDED, NOTES ADDED AND AMENDED AND BRANDING UPDATED	18.07.2022	CLT	PR	SDG
REV	AMENDMENTS	DATE	CAD	CHKD	APPD

CONSULTANT

TIM LAWTON BEng CEng FICE FCIHT : ASSISTANT DIRECTOR OF UNIVERSAL SERVICES

SCHEME

STANDARD DETAILS

DRAWING TITLE

HAUNCH DETAILS EMPLOYING EX SITU COLD RECYCLED BOUND MATERIAL (CRBM)

DESIGNER	CHECKED	SCALE @ A3
MC	AH AH	N.T.S
CAD	APPROVED	DATE
MC	SDG SDG	March 2020
DRAWING NUMBER	REV	
HCC11/M/020	B	

Copyright Hampshire County Council.

All rights, including translation, reserved. No part of this publication may be reproduced, stored in a retrieval system, or transmitted in any form or by any means (electronic, mechanical, photocopied, recorded or otherwise) without the prior written permission of Hampshire County Council. Requests should be directed to Hampshire Engineering Services.