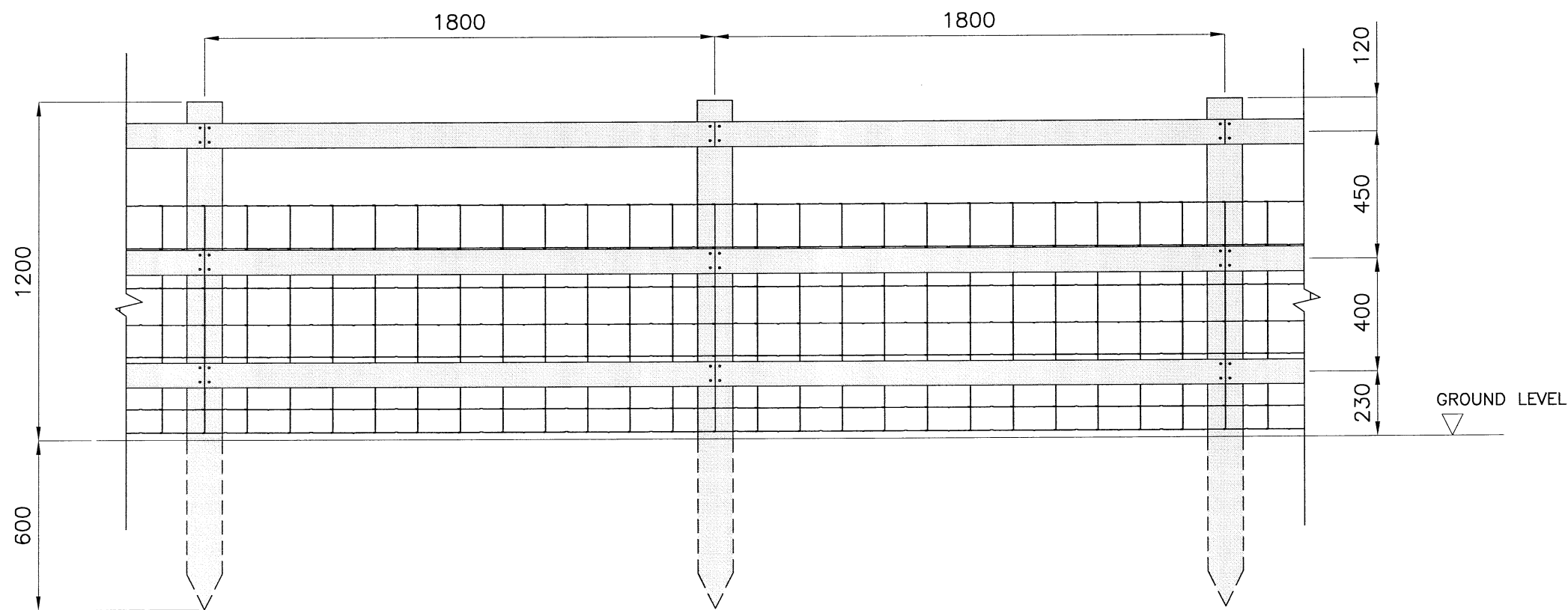


PLAN VIEW



ELEVATION

NOTES:

1. ALL DIMENSIONS ARE IN MILLIMETRES.
2. LONGER POSTS MAY BE REQUIRED WHERE GROUND CONDITIONS ARE POOR. THIS IS TO BE CONFIRMED BY THE OVERSEEING ORGANISATION PRIOR TO INSTALLATION.
3. POSTS ARE TO BE ON THE CARRIAGEWAY SIDE AS INDICATED ON THE PLAN.
4. RETANGULAR WOVEN MESH TO BE TYPE HT8/80/15 AND COMPLY WITH BS 4102:1998. GALVANISED TO BS EN10244:2001.
5. TIMBER IS TO COMPLY WITH CL. 304 UNLESS OTHERWISE STATED IN APPENDIX 1/15.

REV	AMENDMENTS	DATE	CAD	CHKD	APPD

CONSULTANT

SCHEME

STANDARD DETAILS

DRAWING TITLE

TYPICAL POST AND RAIL FENCING

HCC CADplot: 17.Dec.2015 at 9:37am		
DRAWN	CHECKED	SCALE @ A3
DF	AH <i>AA</i>	1:20
CAD	APPROVED	DATE
DF	CP <i>CP</i>	JULY 2015
DRG No.	REVISION	
HCC10/M/200		

Copyright Hampshire County Council. 2015

All rights, including translation, reserved. No part of this publication may be reproduced, stored in a retrieval system, or transmitted in any form or by any means (electronic, mechanical, photocopied, recorded or otherwise) without the prior written permission of Hampshire County Council. Requests should be directed to the Economy, Transport & Environment Department.