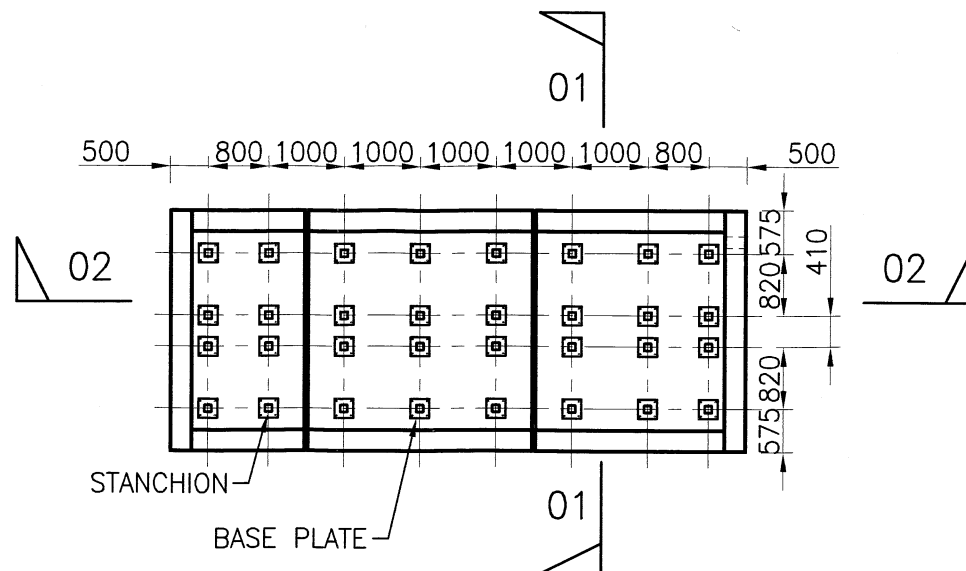
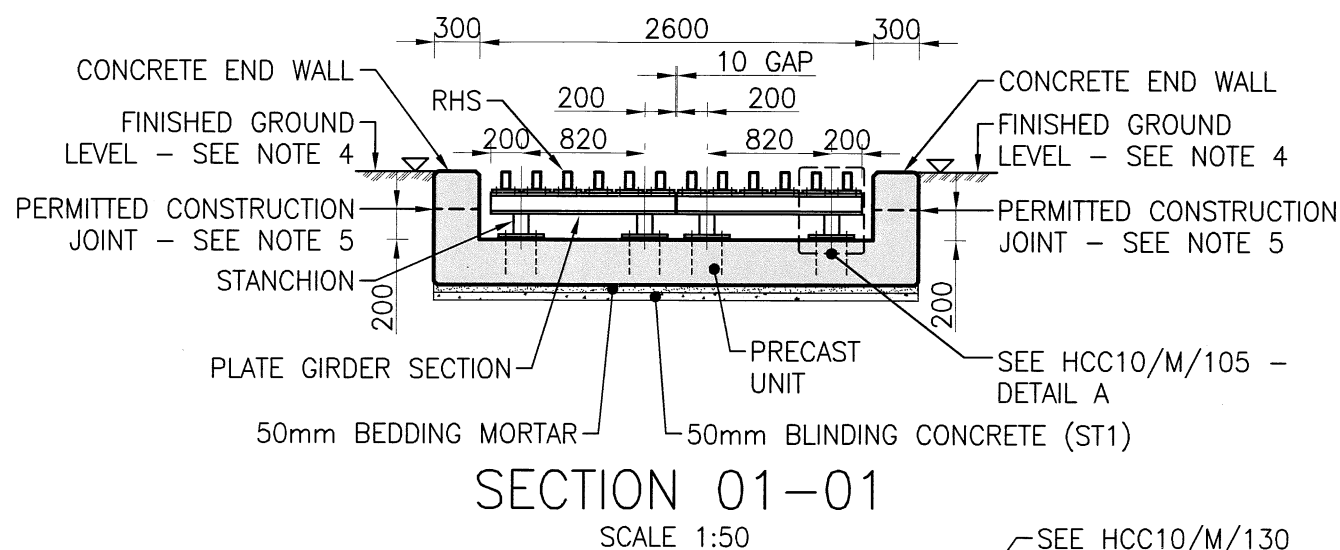


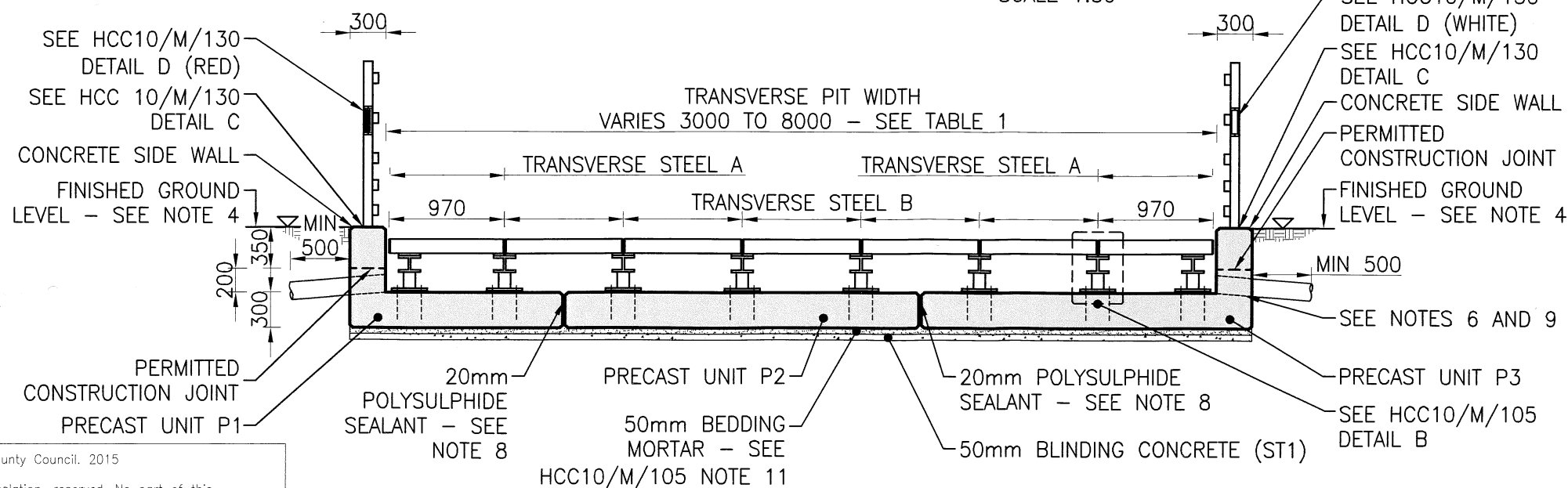
PLAN SHOWING GENERAL ARRANGEMENT
SCALE 1:100



PLAN SHOWING STANCHION AND BASE PLATE LAYOUT
SCALE 1:100



SECTION 01-01
SCALE 1:50



SECTION 02-02
SCALE 1:50

TRANSVERSE PIT WIDTH	PRECAST UNIT ARRANGMENT	TRANSVERSE STEEL ARRANGEMENT
3000	P1 P1	A B A
4000	P1 P3	A B B A
5000	P3 P3	A B B B A
6000	P1 P2 P1	A B B B B A
7000	P1 P2 P3	A B B B B B A
8000	P3 P2 P3	A B B B B B B A

- NOTES:**
- DO NOT SCALE FROM THIS DRAWING.
 - ALL DIMENSIONS ARE IN MILLIMETRES UNLESS OTHERWISE STATED.
 - THE CONTRACTOR SHALL MANUFACTURE THE PRECAST CONCRETE UNITS OFF-SITE.
 - THE ORIENTATION AND LAYOUT OF THE CATTLE GRID AND THE FINISHED GROUND LEVELS SHALL BE DESCRIBED IN THE WORKS INFORMATION.
 - CONSTRUCTION JOINTS OTHER THAN THOSE SHOWN ON THE DRAWING SHALL NOT BE PERMITTED UNLESS AGREED BY THE OVERSEEING ORGANISATION. ALL EXPOSED ARRISSES SHALL HAVE 25X25 CHAMFERS UNLESS OTHERWISE SHOWN.
 - A DRAINAGE OUTLET (150mm DIAMETER) SHALL BE CONSTRUCTED INTO THE CONCRETE SIDE WALL TO ALLOW THE PIT TO DRAIN SURFACE WATER AND SHALL HAVE A 1:12 FALL AWAY FROM THE CATTLE GRID. THE POSITIONING OF THE OUTLET IN EITHER PRECAST UNIT P1 OR P3 SHALL BE DESCRIBED IN THE WORKS INFORMATION. THE ENDS OF THE DRAINAGE DUCT SHALL BE TEMPORARILY SEALED DURING CASTING OF THE SLAB TO PREVENT INGRESS OF CONCRETE INTO THE PIPE. THE SPECIFICATION OF THE DRAINAGE PIPE SHALL BE IN ACCORDANCE WITH NOTE 8 OF HCC10/D/010 AND SHALL HAVE A FLUSH FINISH TO THE SURFACE OF THE SIDE WALL.
 - THE ANIMAL ESCAPE RAMPS (SEE HCC10/M/130 DETAIL E) HAVE BEEN OMITTED FOR CLARITY.
 - POLYSULPHIDE SEALANT AROUND EXPOSED JOINTS SHALL BE TO CLAUSE 2303.
 - THE GRID SHALL BE SET-OUT SO THE POSITIONS OF THE DRAINAGE PIPE AND ANIMAL ESCAPE RAMP (SEE HCC10/M/130 DETAIL E) DO NOT COINCIDE.

REV	AMENDMENTS	DATE	CAD	CHKD	APPD
CONSULTANT					
STUART JARVIS BSc DipTP FCIHT MRTPI: DIRECTOR OF ECONOMY, TRANSPORT & ENVIRONMENT					
SCHEME					
STANDARD DETAILS					
DRAWING TITLE					
PRECAST CATTLE GRID GENERAL ARRANGEMENT					
HCC CADplot: 24.Aug.2015 at 3:33pm					
DRAWN	CHECKED	SCALE @ A3		AS SHOWN	
RAH	JB				
CAD	APPROVED	DATE			
AC	PW	JULY 2015			
DRG No.	HCC10/M/100			REVISION	

Copyright Hampshire County Council. 2015
All rights, including translation, reserved. No part of this publication may be reproduced, stored in a retrieval system, or transmitted in any form or by any means (electronic, mechanical, photocopied, recorded or otherwise) without the prior written permission of Hampshire County Council. Requests should be directed to the Economy, Transport & Environment Department.

HCC CADfile: K:\Eng\CAD\Drawings\BRIDGES\PRECAST CATTLE GRID\AutoCAD\General\HCC10_M_100_105_130_A3.dwg