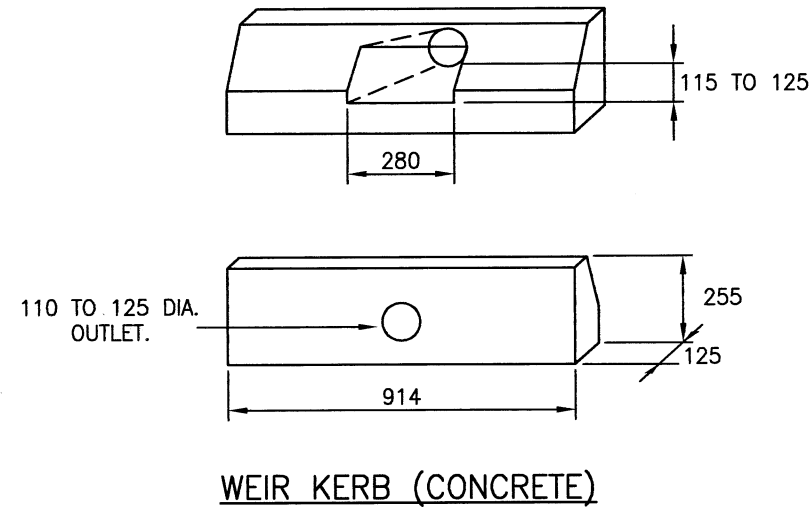
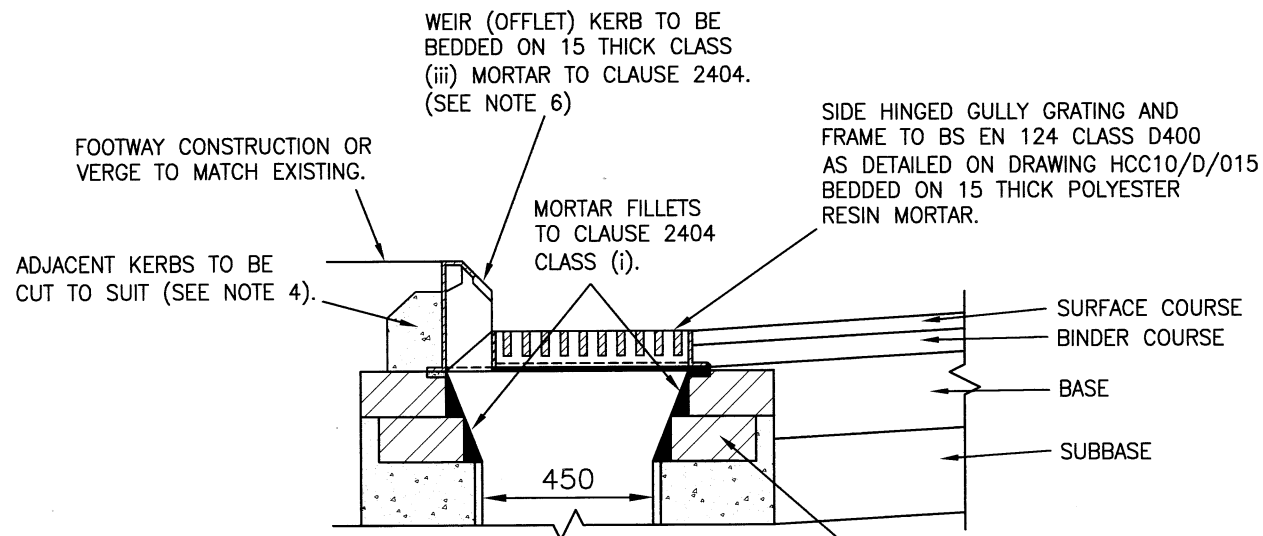


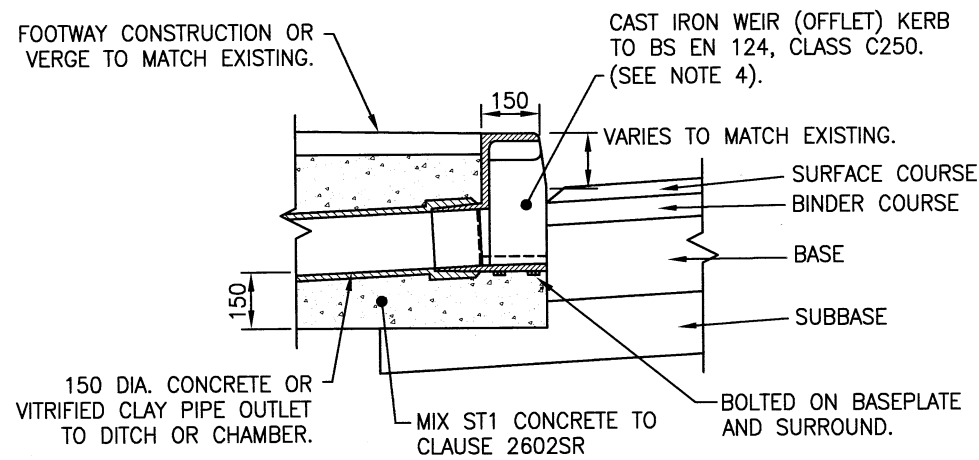
SECTION THROUGH WEIR KERB (CONCRETE) AND OUTLET



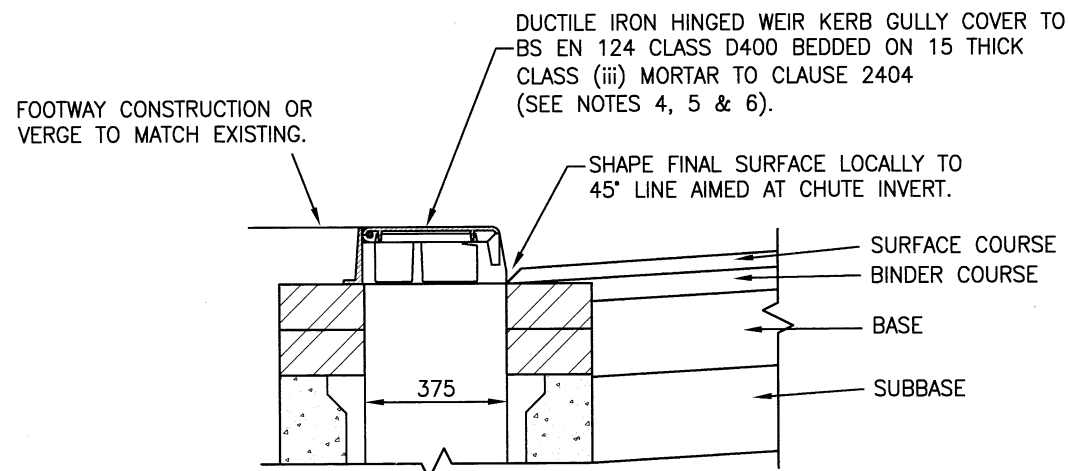
WEIR KERB (CONCRETE)



SECTION THROUGH COMBINED GULLY AND WEIR KERB (CAST IRON) TYPE 1



SECTION THROUGH WEIR KERB (CAST IRON) AND OUTLET



SECTION THROUGH COMBINED GULLY AND WEIR KERB (CAST IRON) TYPE 2

NOTES:

- ALL DIMENSIONS ARE IN MILLIMETRES.
- THE USE OF CONCRETE AND CAST IRON WEIR (OFFLET) KERBS SHALL BE RESTRICTED TO USE FOR MAINTENANCE / REPLACEMENT PURPOSES ONLY AND NOT FOR USE IN NEW SITUATIONS.
- KERB TYPES (e.g. PC1 AND PC2) SHALL BE AS DETAILED ON DRAWING No. HCC10/C/010.
- KERB ABUTTING CAST IRON WEIR (OFFLET) KERBS SHALL BE CUT AS REQUIRED TO ACCOMMODATE FLANGES
- DUE TO THE DIMENSIONS OF THE FRAME THIS UNIT WILL NEED TO BE USED IN CONJUNCTION WITH A 375 DIA PRECAST CONCRETE GULLY POT, TYPE 2 GULLY OF INTERNAL DIMENSIONS TO SUIT OR 450 DIA PRECAST OR INSITU GULLY WITH 65 THICK BUILDER'S LINTELS TO SPAN THE POT AND SUPPORT THE REAR OF THE UNIT. WHERE THE GULLY POT IS TO BE REPLACED IT SHALL BE SPECIFIED ELSEWHERE.
- IF GULLY IS TO BE TRAFFICKED WITHIN 48 HOURS OF BRICKWORK CONSTRUCTION, A RAPID HARDENING CEMENTITIOUS MORTAR SHALL BE USED.

REV	AMENDMENTS	DATE	CAD	CHKD	APPD
-	-	-	-	-	-

CONSULTANT

Hampshire Engineering
County Council CONSULTANCY

STUART JARVIS BSc DipTP FCILT MRTPI DIRECTOR OF ECONOMY, TRANSPORT & ENVIRONMENT

SCHEME

STANDARD DETAILS

DRAWING TITLE

TYPICAL DETAILS OF WEIR (OFFLET) KERBS

HCC CADplot: 18.Sep.2015 at 2:14pm	DRAWN	CHECKED	SCALE @ A3
	RB	WW	N.T.S
	CAD	APPROVED	DATE
	RB	CP	July 2015
	DRG No.	REVISION	
	HCC10/M/065	-	

Copyright Hampshire County Council. 2015

All rights, including translation, reserved. No part of this publication may be reproduced, stored in a retrieval system, or transmitted in any form or by any means (electronic, mechanical, photocopied, recorded or otherwise) without the prior written permission of Hampshire County Council. Requests should be directed to the Economy, Transport & Environment Department.