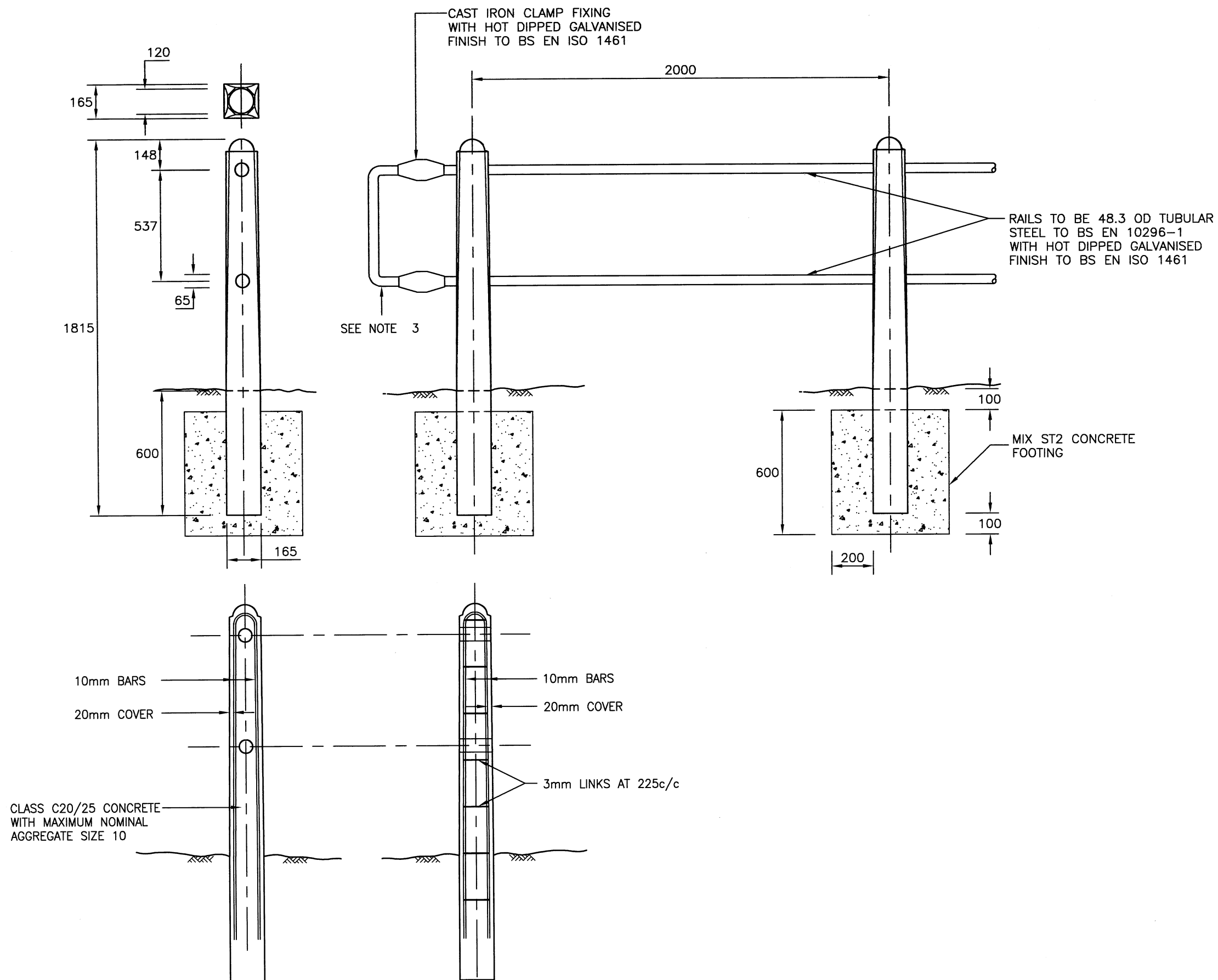


**NOTES:**

1. ALL DIMENSIONS ARE IN MILLIMETRES.
2. CLEARANCE BETWEEN FENCING AND EDGE OF CARRIAGEWAY TO BE AS SPECIFIED ELSEWHERE IN THE CONTRACT.
3. AT ENDS OF FENCING, TUBULAR STEEL END LOOPS SHALL BE INCLUDED. MATERIAL TO BE AS FOR RAILS. FIXING TO BE ACHIEVED USING CLAMP FITTING.



REV	AMENDMENTS	DATE	CAD	CHKD	APPD
-	-	-	-	-	-

CONSULTANT

**Hampshire County Council** **Engineering CONSULTANCY**

STUART JARVIS BSc DipTP FCIHT MRTPI: DIRECTOR OF ECONOMY, TRANSPORT & ENVIRONMENT

SCHEME

**STANDARD DETAILS**

DRAWING TITLE

**CONCRETE POST & TUBULAR STEEL PEDESTRIAN FENCING**

HCC CADplot: 18.Sep.2015 at 2:14pm

DRAWN	CHECKED	SCALE @ A3
RB	WW <i>WW</i>	N.T.S
CAD	APPROVED	DATE
RB	CP <i>CP</i>	July 2015
DRG No.	REVISION	
HCC10/M/050	-	

Copyright Hampshire County Council, 2015

All rights, including translation, reserved. No part of this publication may be reproduced, stored in a retrieval system, or transmitted in any form or by any means (electronic, mechanical, photocopied, recorded or otherwise) without the prior written permission of Hampshire County Council. Requests should be directed to the Economy, Transport & Environment Department.