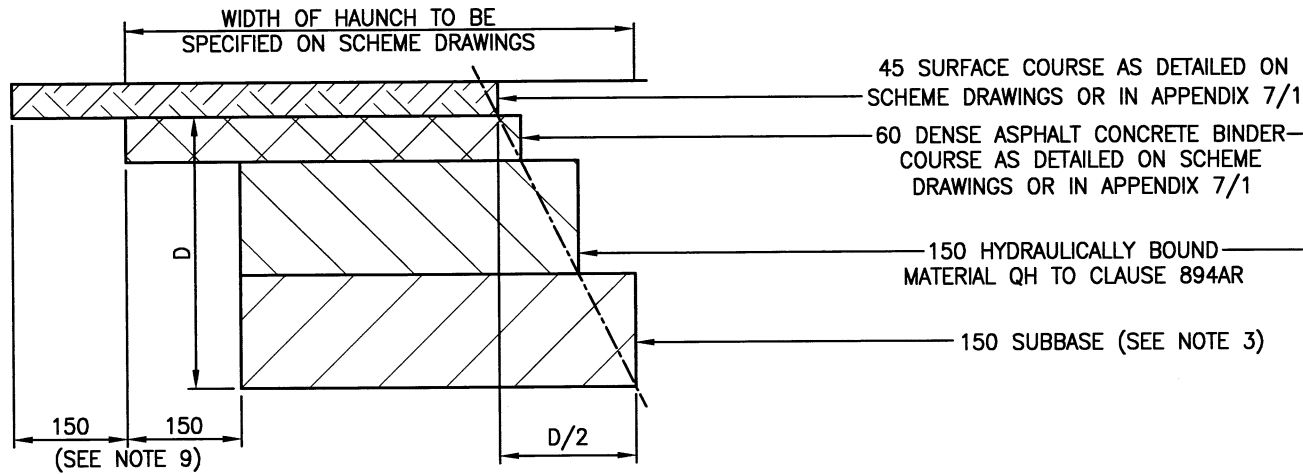
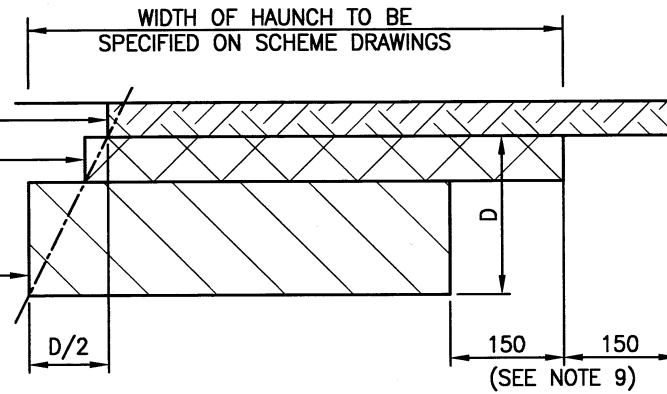


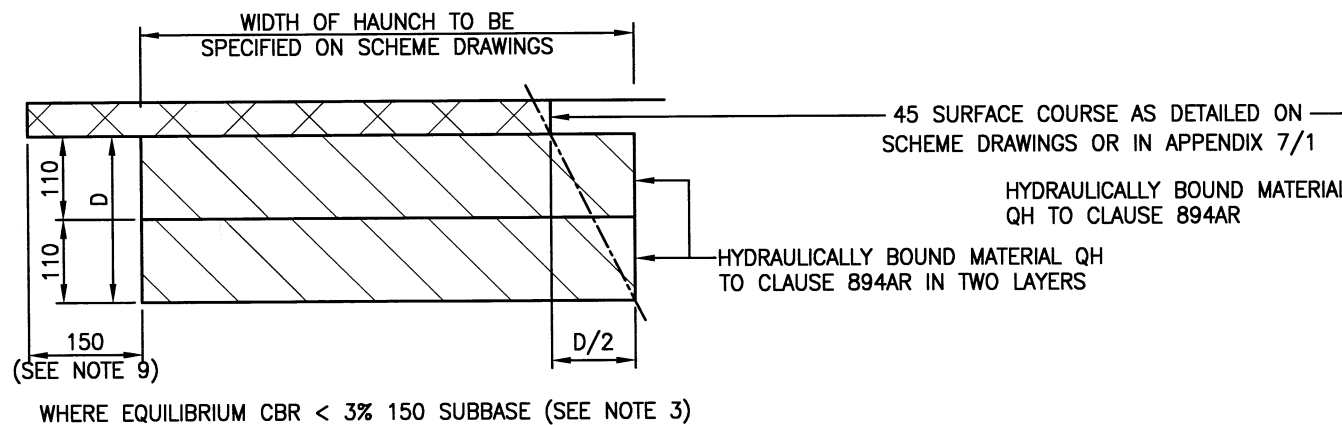
**B ROADS CARRYING LESS THAN 200 CVD
OPTION 1 – EQUILIBRIUM CBR < 5%**



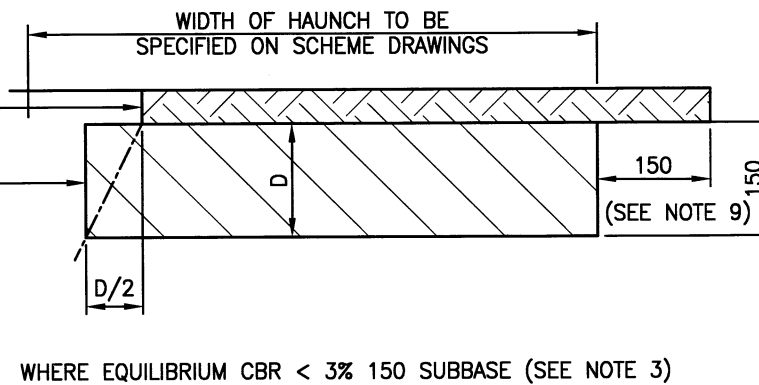
**B ROADS CARRYING LESS THAN 200 CVD
OPTION 2 – EQUILIBRIUM CBR 5% OR GREATER**



C ROADS



UNCLASSIFIED ROADS



NOTES:

- ALL DIMENSIONS ARE IN MILLIMETRES
- HAUNCHES SHALL BE AT LEAST 1.3m WIDE TO ENABLE A SUFFICIENTLY LARGE ROLLER TO ENSURE ADEQUATE COMPACTION. HOWEVER, WIDTH MAY BE REDUCED WHERE IT CAN BE PROVEN THAT ADEQUATE COMPACTION CAN BE ACHIEVED WITH A SMALLER ROLLER. SUBJECT TO THE APPROVAL OF THE OVERSEEING ORGANISATION, THE HAUNCH WIDTH MAY BE REDUCED TO A MINIMUM OF 500 IF A TRENCH COMPACTOR IS USED TO COMPACT THE SUBBASE AND HBM QH.
- SUBBASE SHALL BE TO CLAUSE 803 OR, IF APPROVED WITH THE OVERSEEING ORGANISATION, TO CLAUSES 891AR, 892AR OR 893AR.
- WHERE NOT OVERLAID WITHIN 4 HOURS, THE SURFACE OF ANY LAYER OF HBM QH SHALL BE SEALED WITH A COAT OF K1-40 EMULSION COMPLYING WITH BS 594987.
- WHERE CIRCUMSTANCES DICTATE THAT THE HBM QH SHALL BE TRAFFICKED, THE SEALING COAT SHALL BE BLINDED WITH COATED GRIT AC4 FINE SURF (Bact 1.5-3.5) 160/220 TO PD 6691 TABLE B15 x 16 AND SLIPPERY ROAD SIGNS SHALL BE PROVIDED.
- NO PLANT OR VEHICLES SHALL BE PERMITTED TO PARK ON ANY HAUNCH CONSTRUCTION WITH HBM QH UNTIL THE FINAL SURFACE COURSE HAS BEEN APPLIED.
- HAUNCH REPAIRS FOR ALL ROADS CARRYING MORE THAN 200 CVD SHALL BE DESIGNED USING TRL REPORT 611.
- TREATMENT OF LAYERS AND VERTICAL SURFACES SHALL BE IN ACCORDANCE WITH CL 903.4. THE BOND COAT SHALL BE IN ACCORDANCE WITH APPENDIX 7/4.
- WHERE THE STEPPED JOINT ENCLOSES INTO THE WHEEL TRACK, THE DISTANCE SHALL BE INCREASED TO AVOID THIS AREA AS AGREED WITH OVERSEEING ORGANISATION.
- CONSULTATION WILL BE REQUIRED WITH THE AREA OFFICES FOR HAUNCHING IN THE NATIONAL PARKS, AS THE EDGE OF CARRIAGEWAY CANNOT BE WIDENED AS SHOWN ON THIS DRAWING.

REV	AMENDMENTS	DATE	CAD	CHKD	APPD

CONSULTANT

Hampshire County Council Engineering CONSULTANCY

STUART JARVIS BSc DipTP FCIHT MRTPI: DIRECTOR OF ECONOMY, TRANSPORT & ENVIRONMENT

SCHEME

STANDARD DETAILS

DRAWING TITLE

HAUNCH DETAILS EMPLOYING HYDRAULICALLY BOUND MATERIAL (HBM QH)

HCC CADplot: 26.Nov.2015 at 4:51pm	DRAWN	CHECKED	SCALE @ A3
	MB	WW, WW	N.T.S
	CAD	APPROVED	DATE
	MB	CP	July 2015
	DRG No.	REVISION	
	HCC10/M/015	-	

Copyright Hampshire County Council. 2015

All rights, including translation, reserved. No part of this publication may be reproduced, stored in a retrieval system, or transmitted in any form or by any means (electronic, mechanical, photocopied, recorded or otherwise) without the prior written permission of Hampshire County Council. Requests should be directed to the Economy, Transport & Environment Department.