
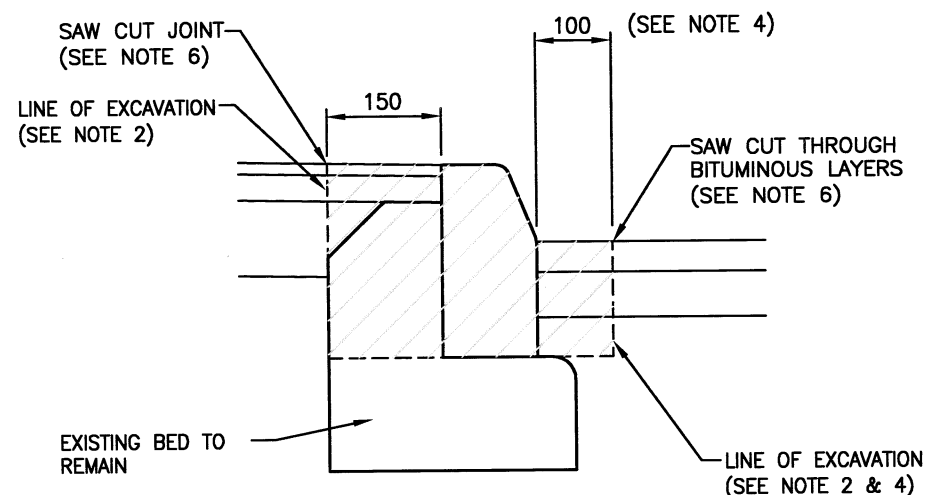
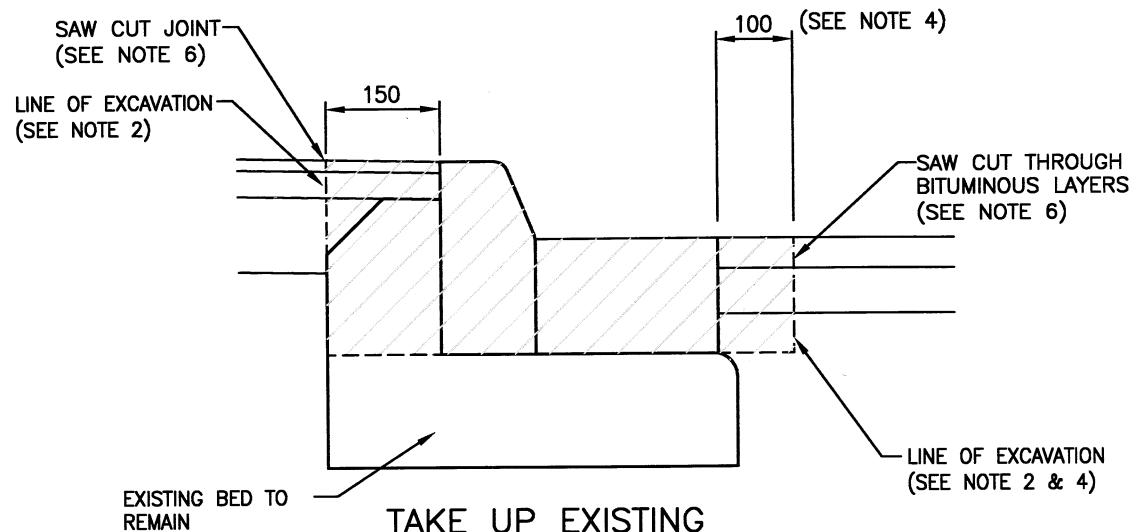


Copyright Hampshire County Council. 2015
 All rights, including translation, reserved. No part of this publication may be reproduced, stored in a retrieval system, or transmitted in any form or by any means (electronic, mechanical, photocopied, recorded or otherwise) without the prior written permission of Hampshire County Council. Requests should be directed to the Economy, Transport & Environment Department.

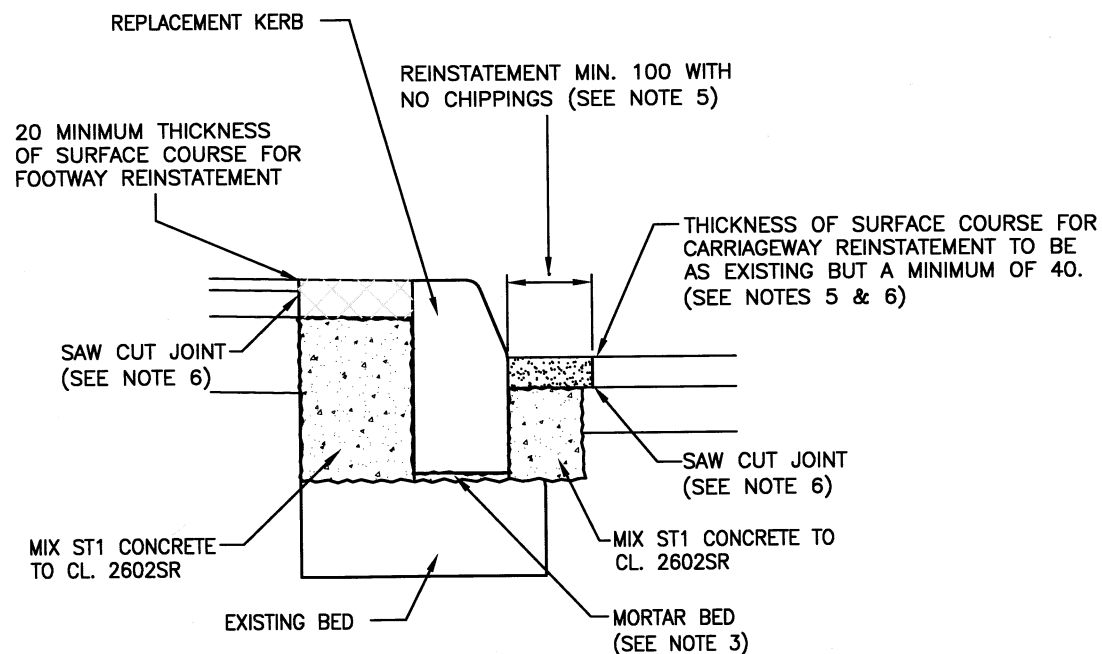
 MATERIALS TO BE REMOVED (ie KERBS, CHANNELS, CONCRETE, SURFACING)



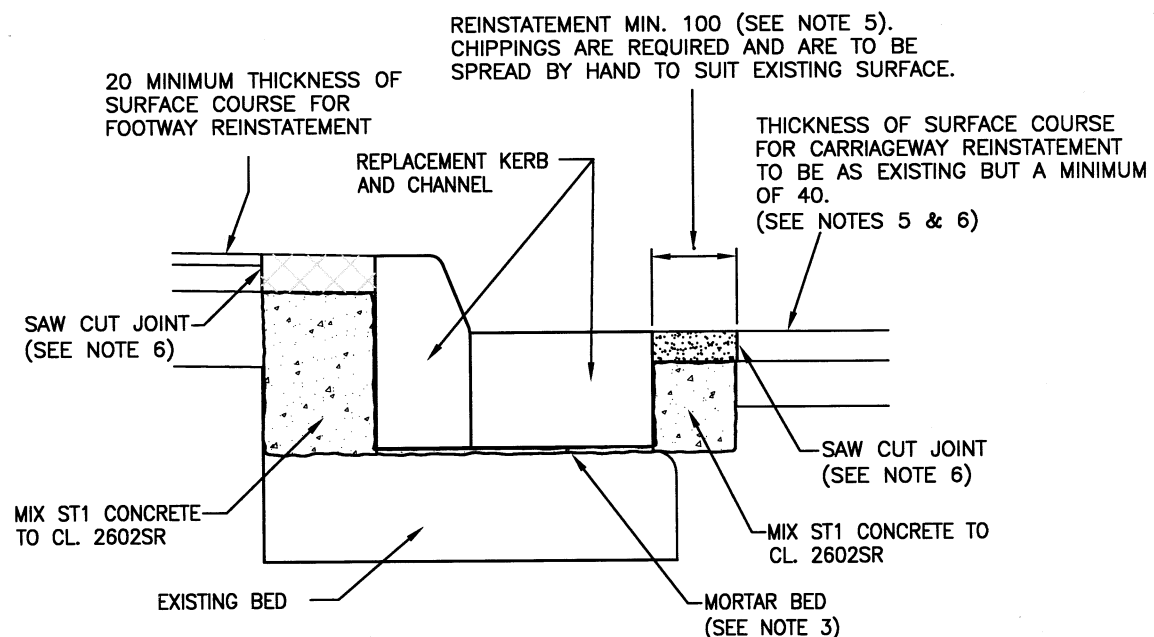
TAKE UP EXISTING KERB AND BACKING



TAKE UP EXISTING BACKING AND CHANNEL



REPLACEMENT KERB LAID ON EXISTING BASE



REPLACEMENT KERB AND CHANNEL LAID ON EXISTING BASE

IF CHANNEL BLOCKS ARE NOT REPLACED, NO PRE COATED CHIPPINGS SHALL BE USED WITHIN THE FIRST 250mm OF REINSTATEMENT. ELSEWHERE, PRE COATED CHIPPINGS SHALL HAVE A MIN. PSV OF 60.

NOTES:

1. ALL DIMENSIONS ARE IN MILLIMETRES.
2. EXISTING CARRIAGEWAY AND/OR FOOTWAY PAVEMENT CONSTRUCTION SHALL BE CUT VERTICAL TO CLEAN LINE AND FACE.
3. EXISTING BED TO BE CUT BACK TO PROVIDE FACILITY FOR 10 MINIMUM THICKNESS MORTAR BED. KERB AND/OR CHANNEL SHALL BE BEDDED ON CLASS (i) MORTAR TO CLAUSE 2404 10 TO 40 THICK. WHERE KERB AND/OR CHANNEL IS TO BE RAISED IN LEVEL SUCH THAT BED THICKNESS IS GREATER THAN 40, CONCRETE TO CLAUSE 2602SR SHALL BE USED AS NEW BED.
4. THE BREAK OUT IN FRONT OF THE KERB OR CHANNEL MAY BE OMITTED WHERE CARRIAGEWAY RESURFACING IS TO BE CARRIED OUT AT THE SAME TIME AS KERB REPLACEMENT.
5. REINSTATEMENT MATERIAL SHALL BE HRA 15/10F SURF 40/60 TO BS EN 13108-4. PRE COATED CHIPPINGS TO BE USED WHERE CHANNEL BLOCKS ARE REPLACED SHALL BE MINIMUM 60 PSV THE MINIMUM WIDTH OF REINSTATEMENT SHALL BE 100 AND THE MAXIMUM WIDTH SHALL BE 300 UNLESS IT ENCROACHES INTO THE WHEEL TRACKS, IN WHICH CASE IT SHALL BE EXTENDED FURTHER TO AVOID THE AREA.
6. TREATMENT OF LAYERS AND VERTICAL SURFACES SHALL BE IN ACCORDANCE WITH CL 903. THE BOND COAT SHALL BE IN ACCORDANCE WITH APPENDIX 7/4.

REV	AMENDMENTS	DATE	CAD	CHKD	APPD
-	-	-	-	-	-

CONSULTANT



STUART JARVIS BSc DipTP FCIHT MRTPI: DIRECTOR OF ECONOMY, TRANSPORT & ENVIRONMENT

SCHEME

STANDARD DETAILS

DRAWING TITLE

KERB REPLACEMENT (ON EXISTING BASE)

HCC CADplot: 30.Nov.2015 at 2:47pm		
DRAWN	CHECKED	SCALE @ A3
MC	WW, WW	N.T.S
CAD	APPROVED	DATE
MC	CP, CP	July 2015
DRG No.	REVISION	
HCC10/M/010	-	