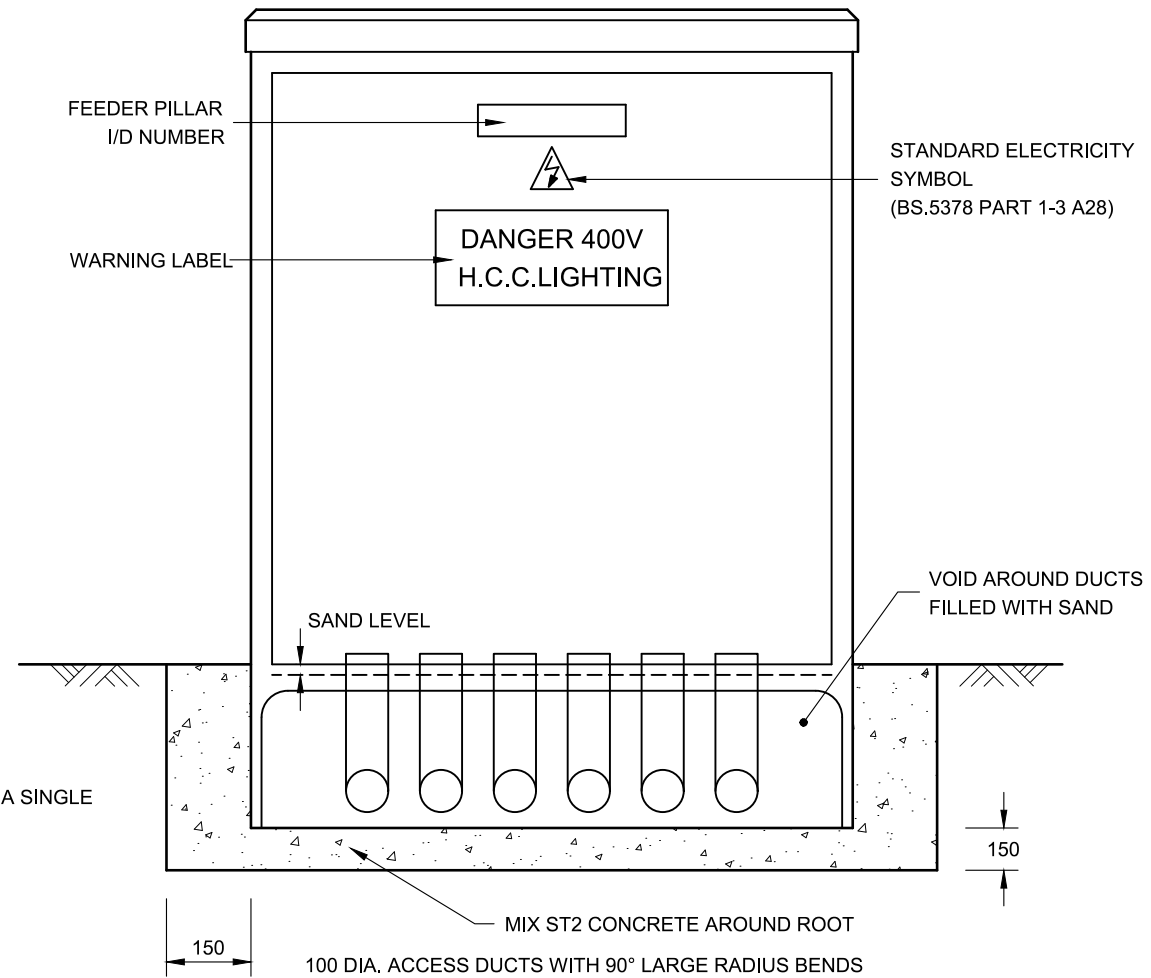
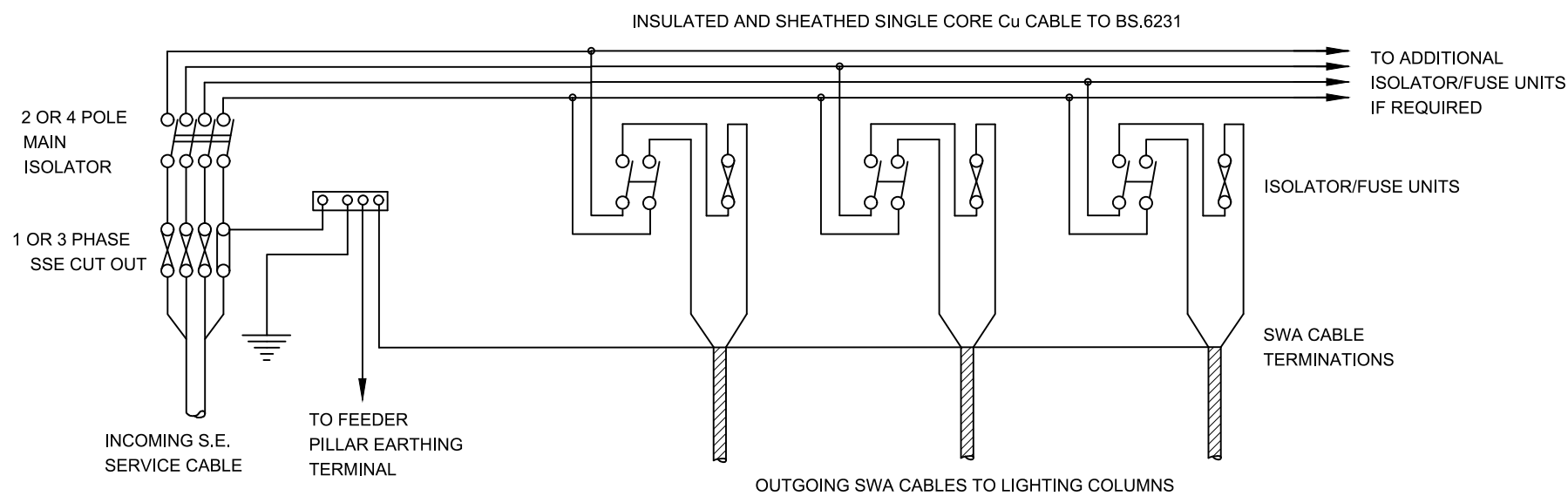


TYPICAL FRONT VIEW OF FEEDER PILLAR



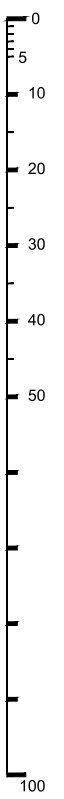
FEEDER PILLAR FOUNDATION DETAIL



TYPICAL WIRING LAYOUT

NOTES

1. ALL DIMENSIONS ARE IN MILLIMETRES.
2. FOR LOCATION OF FEEDER PILLARS, SEE STREET LIGHTING LAYOUT DRAWINGS.
3. A MINIMUM OF 1m² OF HARD STANDING SHALL BE PROVIDED AT GROUND LEVEL IMMEDIATELY IN FRONT OF THE PILLAR DOOR.
4. ALL PRIVATE NETWORKS TO BE LABELLED - WEATHER-PROOF (EG ENCAPSULATED) SCHEMATIC DIAGRAM TO BE SECURED IN THE PILLAR AND TO DETAIL THE CABLE ROUTE AND LIGHTING UNITS ON EACH CIRCUIT.



A	BRANDING UPDATED	15.07.2022	CLT	scb	D
REV	AMENDMENTS	DATE	CAD	CHKD	APPD

CONSULTANT

STUART JARVIS BSc DipTP FCIHT MRTPI: DIRECTOR OF ECONOMY, TRANSPORT & ENVIRONMENT

SCHEME

STANDARD DETAILS

DRAWING TITLE

GENERAL FEEDER PILLAR DETAILS

DESIGNER	CHECKED	SCALE @ A3
RB	IH IH	N.T.S
CAD	APPROVED	DATE
RB	JH JH	March 2020
DRAWING NUMBER	REV	
HCC11/L/070	A	

Copyright Hampshire County Council. 2022

All rights, including translation, reserved. No part of this publication may be reproduced, stored in a retrieval system, or transmitted in any form or by any means (electronic, mechanical, photocopied, recorded or otherwise) without the prior written permission of Hampshire County Council. Requests should be directed to the Economy, Transport & Environment Department.