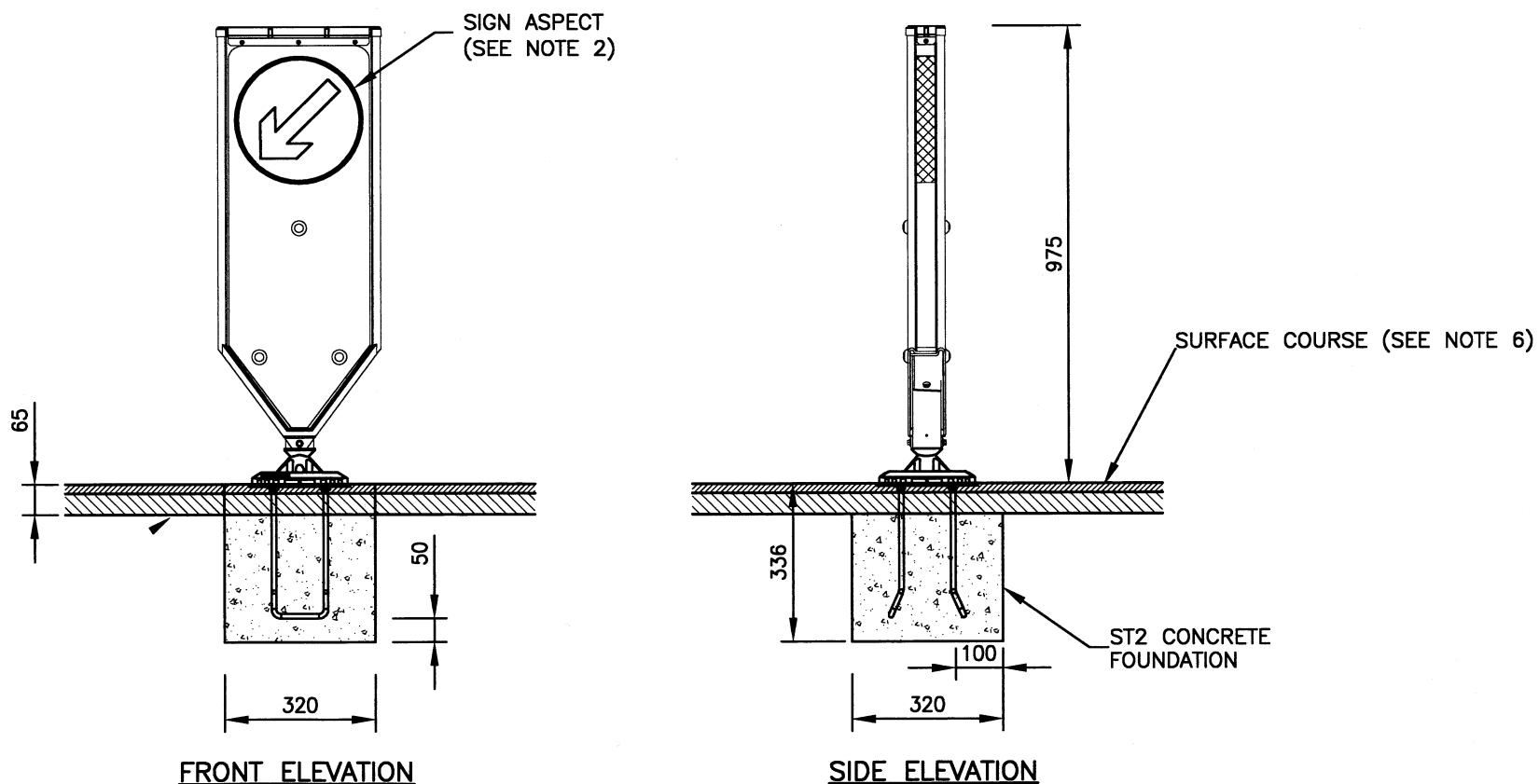


**SOLAR POWERED LED BOLLARD
(BASE PLATE FOUNDATION)**



**SOLAR POWERED LED BOLLARD
(CAST-IN CAGE FOUNDATION)**

NOTES:

1. ALL DIMENSIONS ARE IN MILLIMETRES.
2. SEE SIGN SCHEDULE FOR BOLLARD ASPECT DETAILS.
3. FOR DETAILS OF LOCATIONS OF BOLLARDS SEE STREET LIGHTING OR SIGNING LAYOUT DRAWINGS.
4. SOLAR POWERED BOLLARDS SHALL BE SELF-FRONTING VERSIONS, SPECIFIED BY MANUFACTURER & MODEL, AND SHALL BE APPROVED BY THE OVERSEEING ORGANISATION.
5. UNLESS OTHERWISE SPECIFIED, BOLLARDS SHALL HAVE RETRO-REFLECTORISED REAR AND SIDE PANELS.
6. SURFACE AND BINDER COURSE SHALL BE AS SPECIFIED FOR TYPE 1A OR 1B FOOTWAY CONSTRUCTION (AS DETAILED ON STANDARD DETAIL DRAWING No HCC10/C/045).
7. THE USE OF CONVERSION PLATES WILL NOT BE PERMITTED. WHEN REPLACING AN EXISTING BASELIGHT BOLLARD, THE EXISTING BOLLARD BASE ASSEMBLY SHALL BE REMOVED, THE DRAWPIT INFILLED WITH ST2 CONCRETE, INTO WHICH THE NEW BOLLARD FOUNDATION CAGE SHALL BE SET.
8. THE SPECIFICATION SHOWN ON THIS STANDARD DETAIL MAY DIFFER FROM ANY MANUFACTURERS' REVISIONS OF THE SPECIFIED PRODUCT.

A	NOTE 4 REVISED.	MAY 16	WW		
REV	AMENDMENTS	DATE	CAD	CHKD	APPD

CONSULTANT



STUART JARVIS BSc DipTP FCIHT MRTPI: DIRECTOR OF ECONOMY, TRANSPORT & ENVIRONMENT

SCHEME

STANDARD DETAILS

DRAWING TITLE

**SOLAR POWERED LED
BOLLARD DETAILS**

HCC CADplot: 12.May.2016 at 11:53am

DRAWN	WW	CHECKED	IH	IH	SCALE @ A3	N.T.S
CAD	WW	APPROVED	CP	CP	DATE	July 2015
DRG No.	HCC10/L/061				REVISION	A

Copyright Hampshire County Council. 2015

All rights, including translation, reserved. No part of this publication may be reproduced, stored in a retrieval system, or transmitted in any form or by any means (electronic, mechanical, photocopied, recorded or otherwise) without the prior written permission of Hampshire County Council. Requests should be directed to the Economy, Transport & Environment Department.

HCC CADfile: K:\Eng\Standard\AutoCAD\Standard Details (Secure) As Updated Dec 2011\HCC10 2015 STANDARD DETAILS\L Series\L-061.dwg