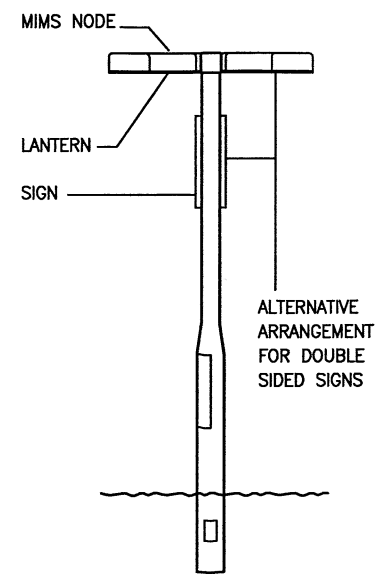


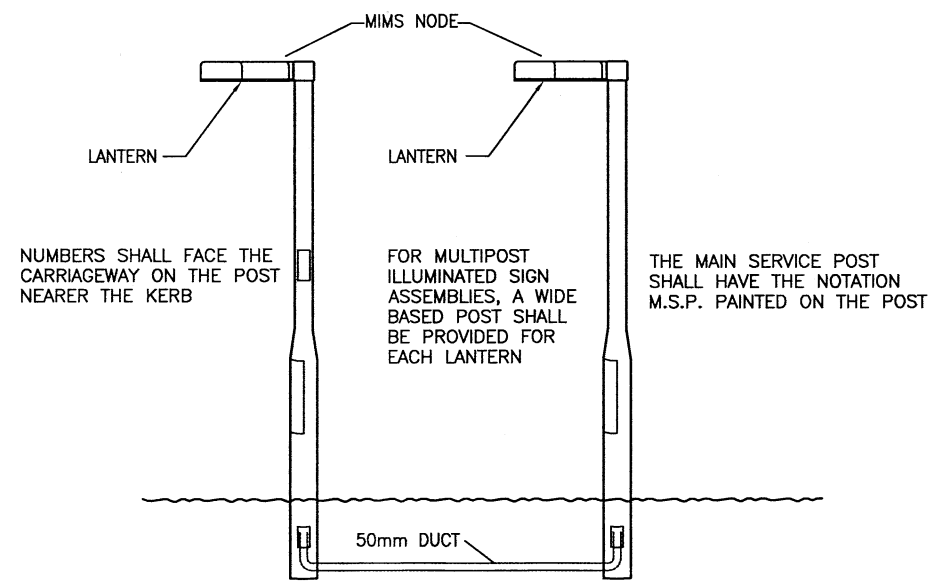
- NOTES FOR POST ERECTION**
1. REFER TO THE MANUFACTURER'S GUIDANCE FOR RECOMMENDATIONS ON HANDLING AND TRANSPORTATION TO PREVENT DAMAGE.
 2. THE POST DOOR SHALL FACE THE TRAFFIC FLOW.
 3. THE POST SHALL BE TRULY VERTICAL ON COMPLETION OF THE INSTALLATION.
 4. INSERT CABLE ACCESS DUCT INTO POST CABLE SLOT. THE DUCT SHALL BE ORANGE, FLEXIBLE POLYPROPYLENE.
 5. THE HOLE SHALL BE COMPLETELY BACKFILLED IN ONE OPERATION.
- NOTES FOR ERECTION OF THE LANTERN**
- ERECT BRACKET ARM, LANTERN, LAMP, P.E. CELL, INSTALL WIRING AND LEAVE IN WORKING ORDER.
- POST HOLE EXCAVATION**
1. POST HOLE TO BE EXCAVATED BY HAND TO REQUIRED DIMENSIONS.
 2. ALL SURPLUS MATERIAL TO BE REMOVED FROM SITE.
 3. THE STEPPED HOLE METHOD OF EXCAVATION SHALL NOT BE PERMITTED.



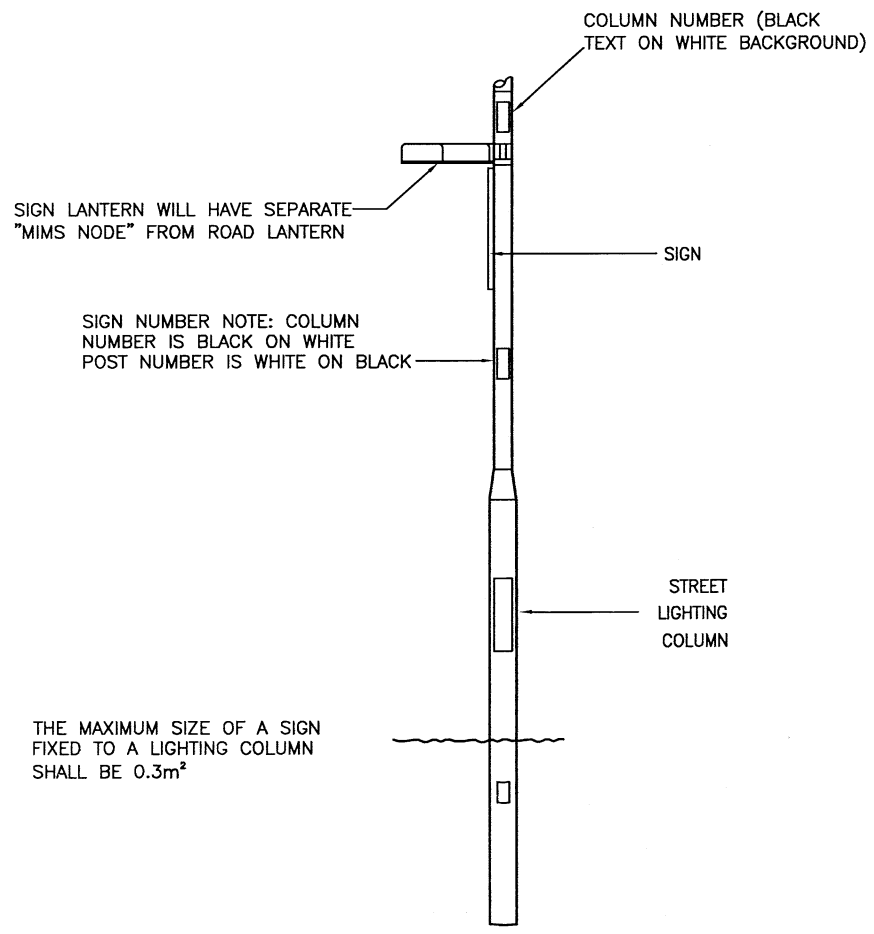
EQUIPMENT ARRANGEMENT
SINGLE POST ILLUMINATED SIGN(S)

FOUNDATION DETAILS IN FOOTWAY AND OTHER PAVED AREAS.

FOUNDATION DETAILS IN GRASS VERGE.



EQUIPMENT ARRANGEMENT
TWIN POST ILLUMINATED SIGN



SINGLE ILLUMINATED SIGN ATTACHED TO A STREET LIGHTING COLUMN

- NOTES:**
1. ALL DIMENSIONS ARE IN MILLIMETRES.
 2. FOR DETAILS OF LOCATIONS OF ILLUMINATED SIGNS SEE STREET LIGHTING LAYOUT DRAWINGS.
 3. POSTS FOR ILLUMINATED SIGNS SHALL BE WIDE POST TYPE.
 4. DUCTS INTO ILLUMINATED SIGN SHALL BE CAST INTO THE CONCRETE FOUNDATIONS ENSURING NO SHARP BENDS IN THE DUCT.
 5. SEE SIGN SCHEDULES FOR VERTICAL AND HORIZONTAL CLEARANCES TO SIGN FACES.
 6. SEE DRAWING No. HCC10/C/140 FOR DETAILS OF TWIN POST FOUNDATIONS.
 7. DUCTS SHALL BE MINIMUM 50φ AND INTERNALLY SMOOTH. ONE DUCT PER CABLE. MINIMUM COVER TO DUCT SHALL BE 450.
 8. CONCRETE FOR ALL FOUNDATIONS SHALL BE ST5.
 9. IN SOFT VERGES ADDITIONAL CONCRETE SHALL BE USED AS REQUIRED TO ENSURE STABILITY.
 10. DOORS TO BE SECURED BY STAINLESS STEEL M8 ANTI-VANDAL DOOR BOLTS WITH HEXAGONAL HEAD COMPLETE WITH INTEGRAL CENTRE PIN, CAPABLE OF BEING OPERATED ONLY WITH SPECIAL HEXAGONAL KEY WITH CENTRE HOLE TO ACCEPT PIN LOCATION.
 11. CURRENT-CARRYING CABLES SHALL BE 1.5mm² SINGLE CORE INSULATED AND SHEATHED OR MULTICORE FLEXIBLE CABLES OF 300/500 VOLT GRADE, CORRECTLY COLOUR CODED. CABLES FOR EARTHING SHALL BE MINIMUM 2.5mm² SINGLE CORE P.V.C INSULATION. P.V.C INSULATED.
 12. ALL DUCTING AND CABLES SHALL BE LAID IN ACCORDANCE WITH THE CURRENT EDITION OF NJUG IN CONJUNCTION WITH THE CURRENT EDITION OF HAUC (UK) GUIDANCE.

REV	AMENDMENTS	DATE	CAD	CHKD	APPD
-	-	-	-	-	-

CONSULTANT

STUART JARVIS BSc DipTP FCIHT MRTPI: DIRECTOR OF ECONOMY, TRANSPORT & ENVIRONMENT

STANDARD DETAILS

EXTERNALLY ILLUMINATED SIGN MOUNTED ON STEEL POST AND FOUNDATION DETAILS

DRAWING TITLE		
EXTERNALLY ILLUMINATED SIGN MOUNTED ON STEEL POST AND FOUNDATION DETAILS		
HCC CADplot: 10.Sep.2015 at 1:01pm		
DRAWN	CHECKED	SCALE @ A3
WW	IH, IH.	N.T.S
CAD	APPROVED	DATE
WW	CP	July 2015
DRG No.	REVISION	
HCC10/L/050	-	

Copyright Hampshire County Council. 2015

All rights, including translation, reserved. No part of this publication may be reproduced, stored in a retrieval system, or transmitted in any form or by any means (electronic, mechanical, photocopied, recorded or otherwise) without the prior written permission of Hampshire County Council. Requests should be directed to the Economy, Transport & Environment Department.