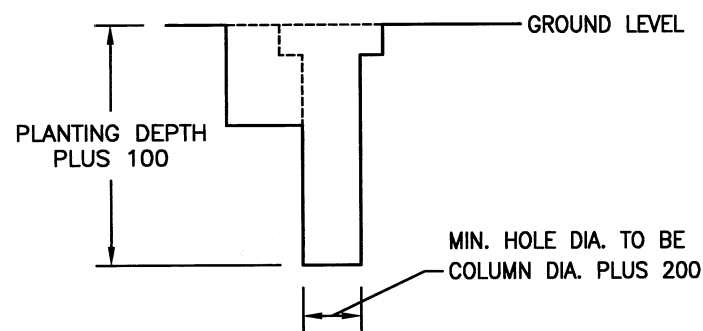
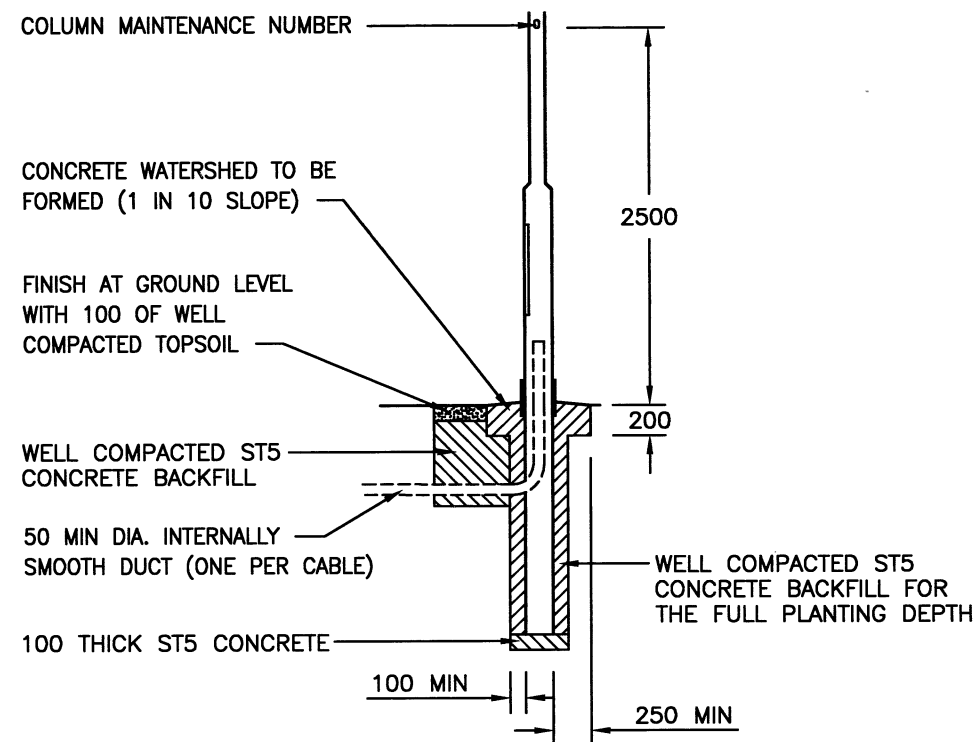


PLAN OF EXCAVATED FOUNDATION



DETAIL OF EXCAVATED FOUNDATION



COLUMN HOLE EXCAVATION

1. COLUMN HOLE TO BE EXCAVATED BY HAND TO THE DIMENSIONS SPECIFIED IN THE STREETLIGHTING DESIGN PACKAGE.
2. ALL SURPLUS MATERIAL TO BE REMOVED FROM SITE.
3. THE STEPPED HOLE METHOD OF EXCAVATION SHALL NOT BE PERMITTED.

NOTES FOR COLUMN ERECTION IN UN-PAVED AREAS

1. REFER TO THE MANUFACTURER'S GUIDANCE FOR RECOMMENDATIONS ON HANDLING AND TRANSPORTATION TO PREVENT DAMAGE.
2. THE COLUMN DOOR SHALL FACE DOWNSTREAM TO THE TRAFFIC FLOW.
3. THE COLUMN SHALL BE TRULY VERTICAL ON COMPLETION OF THE INSTALLATION.
4. INSERT THE CABLE ACCESS DUCT INTO THE COLUMN CABLE SLOT. THE DUCT SHALL BE BLACK FLEXIBLE POLYPROPYLENE.
5. THE HOLE SHALL BE COMPLETELY BACKFILLED IN ONE OPERATION AND THE CONCRETE SHALL BE TAMPED AND TROWELLED TO FORM A WATERSHED WITH A SMOOTH FINISH U2.
6. WHERE TOPSOIL HAS STILL TO BE APPLIED TO THE AREA SURROUNDING THE COLUMN, THE CONCRETE SHALL BE BROUGHT TO THE FINISHED LEVEL BY THE USE OF SUITABLE SHUTTERING.

NOTES FOR ERECTION OF BRACKET ARM

1. THE SHAFT SHALL BE LEFT FOR 48 HOURS BEFORE THE BRACKET IS ATTACHED.
2. ERECT BRACKET ARM, LANTERN, LAMP, INSTALL WIRING AND GEAR AND LEAVE IN WORKING ORDER, LANTERN SHALL BE AT 90° TO KERB LINE WITH A MAXIMUM TILT OF 5°.

NOTES:

1. ALL DIMENSIONS ARE IN MILLIMETRES.
2. FOR DETAILS OF LOCATIONS OF STREET LIGHTING COLUMNS, SEE STREET LIGHTING LAYOUT DRAWINGS.
3. COLUMNS SHALL COMPLY WITH PD6547:2004+A1:2009 AND THE DEPARTMENTAL STANDARD BD 94/07 IN ADDITION TO THE HCC COLUMN SPECIFICATION, WHICH MUST BE READ IN CONJUNCTION WITH THIS DRAWING.
4. ANY DAMAGE TO THE EQUIPMENT DURING INSTALLATION OR BEFORE ACCRUAL ONTO THE COUNTY'S INVENTORY MUST BE REPAIRED TO A SATISFACTORY STANDARD IN ACCORDANCE WITH THE GUIDELINES GIVEN BY THAT SPECIFIC MANUFACTURER FOR ITS SPECIFIC FINISH OR COATING.
5. ALL DUCTING AND CABLES SHALL BE LAID IN ACCORDANCE WITH THE CURRENT EDITION OF NJUG IN CONJUNCTION WITH THE CURRENT EDITION OF HAUC (UK) GUIDANCE.

A	NOTE 2 FOR UN-PAVED AREAS REVISED.	MAY 16	WW		
REV	AMENDMENTS	DATE	CAD	CHKD	APPD

CONSULTANT

STUART JARVIS BSc DipTP FCIHT MRTPI: DIRECTOR OF ECONOMY, TRANSPORT & ENVIRONMENT

SCHEME

STANDARD DETAILS

DRAWING TITLE

PLANTED COLUMN ERECTION DETAILS FOR LOCATIONS IN UN-PAVED AREAS

HCC CADplot: 11.May.2016 at 3:34pm					
DRAWN	WW	CHECKED	IH, IH	SCALE @ A3	N.T.S
CAD	WW	APPROVED	CP, CP	DATE	July 2015
DRG No.	HCC10/L/026			REVISION	A

Copyright Hampshire County Council. 2015

All rights, including translation, reserved. No part of this publication may be reproduced, stored in a retrieval system, or transmitted in any form or by any means (electronic, mechanical, photocopied, recorded or otherwise) without the prior written permission of Hampshire County Council. Requests should be directed to the Economy, Transport & Environment Department.