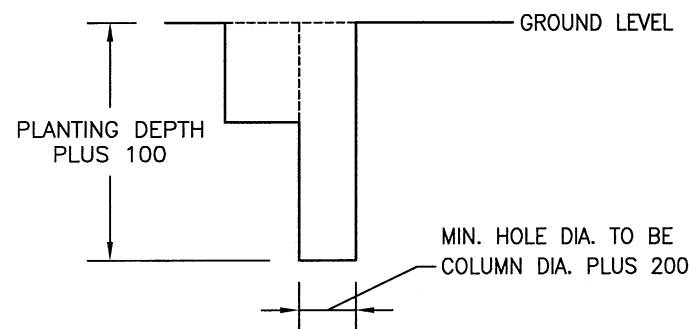


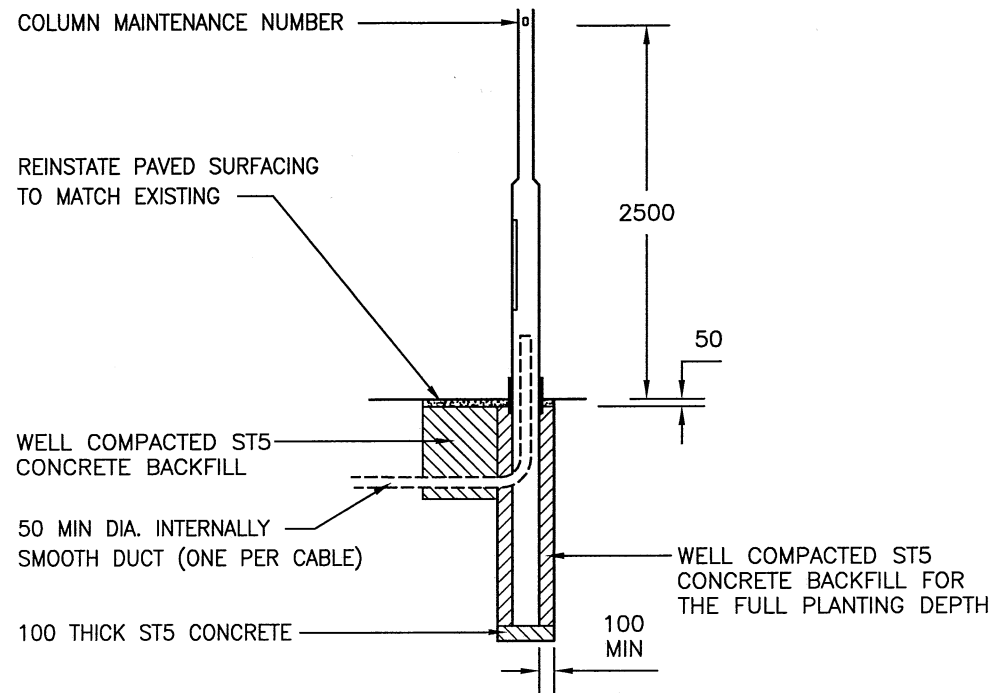
PLAN OF EXCAVATED FOUNDATION



DETAIL OF EXCAVATED FOUNDATION

COLUMN HOLE EXCAVATION

1. COLUMN HOLE TO BE EXCAVATED BY HAND TO REQUIRED DIMENSIONS.
2. HOLE TO BE CUT SQUARE AT BOTTOM.
3. ALL SURPLUS MATERIAL TO BE REMOVED FROM SITE.
4. THE STEPPED HOLE METHOD OF EXCAVATION SHALL NOT BE PERMITTED.



NOTES FOR COLUMN ERECTION IN PAVED AREAS

1. REFER TO THE MANUFACTURER'S GUIDANCE FOR RECOMMENDATIONS ON HANDLING AND TRANSPORTATION TO PREVENT DAMAGE.
2. THE COLUMN DOOR SHALL FACE DOWNSTREAM TO THE TRAFFIC FLOW.
3. THE COLUMN SHALL BE TRULY VERTICAL ON COMPLETION OF THE INSTALLATION.
4. INSERT CABLE ACCESS DUCT INTO COLUMN CABLE SLOT, THE DUCT SHALL BE BLACK, FLEXIBLE POLYPROPYLENE.
5. THE HOLE SHALL BE COMPLETELY BACKFILLED IN ONE OPERATION AND TAMPED TO A LEVEL 50 BELOW THE SURFACE OF THE SURROUNDING PAVEMENT.
6. WHERE TOPSOIL HAS STILL TO BE APPLIED TO THE AREA SURROUNDING THE COLUMN, THE CONCRETE SHALL BE BROUGHT UP TO FINISHED LEVEL BY THE USE OF SUITABLE SHUTTERING.

NOTES FOR ERECTION OF BRACKET ARM

1. THE SHAFT SHALL BE LEFT FOR 48 HOURS BEFORE THE BRACKET IS ATTACHED TO THE SHAFT.
2. ERECT BRACKET ARM, LANTERN, LAMP, INSTALL WIRING AND GEAR, LEAVE IN WORKING ORDER, LANTERN SHALL BE AT 90° TO KERB LINE WITH A MAXIMUM TILT OF 5°.

NOTES:

1. ALL DIMENSIONS ARE IN MILLIMETRES.
2. FOR DETAILS OF LOCATIONS OF STREET LIGHTING COLUMNS, SEE STREET LIGHTING LAYOUT DRAWINGS.
3. COLUMNS SHALL COMPLY WITH PD6547:2004+A1:2009 AND THE DEPARTMENTAL STANDARD BD 94/07 IN ADDITION TO THE HCC COLUMN SPECIFICATION, WHICH MUST BE READ IN CONJUNCTION WITH THIS DRAWING.
4. ANY DAMAGE TO THE EQUIPMENT DURING INSTALLATION OR BEFORE ACCRUAL ONTO THE COUNTY'S INVENTORY MUST BE REPAIRED TO A SATISFACTORY STANDARD IN ACCORDANCE WITH THE GUIDELINES GIVEN BY THAT SPECIFIC MANUFACTURER FOR ITS SPECIFIC FINISH OR COATING.
5. ALL DUCTING AND CABLES SHALL BE LAID IN ACCORDANCE WITH THE CURRENT EDITION OF NJUG IN CONJUNCTION WITH THE CURRENT EDITION OF HAUC (UK) GUIDANCE.

REV	AMENDMENTS	DATE	CAD	CHKD	APPD
-	-	-	-	-	-

CONSULTANT

STUART JARVIS BSc DipTP FCIHT MRTPI: DIRECTOR OF ECONOMY, TRANSPORT & ENVIRONMENT

SCHEME

STANDARD DETAILS

DRAWING TITLE

**PLANTED COLUMN ERECTION
DETAILS FOR LOCATIONS
IN PAVED AREAS**

HCC CADplot: 10.Sep.2015 at 12:57pm						
DRAWN	WW	CHECKED	IH, IH	SCALE @ A3	N.T.S	
CAD	WW	APPROVED	CP	DATE	July 2015	
DRG No.	HCC10/L/025				REVISION	-

Copyright Hampshire County Council. 2015

All rights, including translation, reserved. No part of this publication may be reproduced, stored in a retrieval system, or transmitted in any form or by any means (electronic, mechanical, photocopied, recorded or otherwise) without the prior written permission of Hampshire County Council. Requests should be directed to the Economy, Transport & Environment Department.