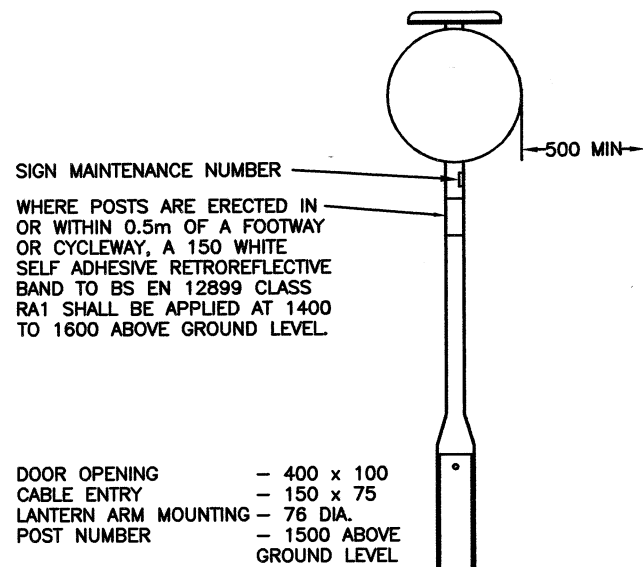
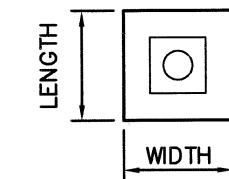
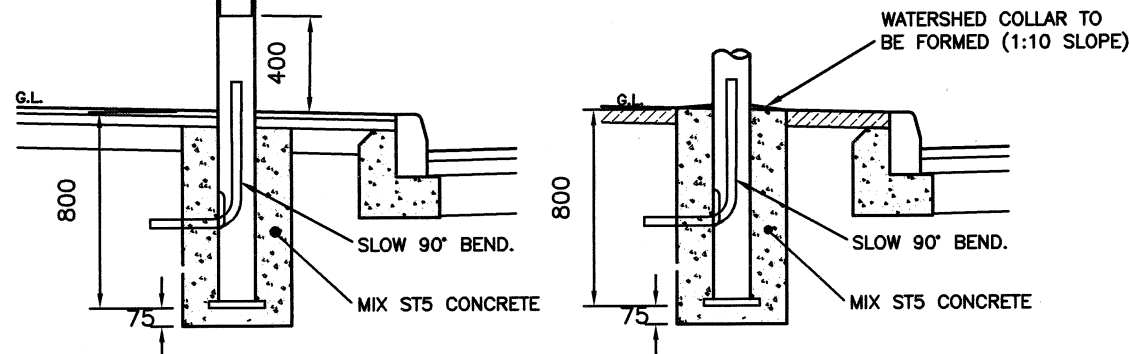


**NOTES FOR EXCAVATION AND SIGN POST ERECTION**

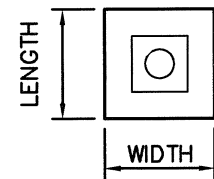
- A. COLUMN HOLE TO BE EXCAVATED BY HAND TO REQUIRED DIMENSIONS (EXCAVATION DIMENSIONS SHOWN ON DRAWING)
- B. HOLE TO BE CUT SQUARE AT THE BOTTOM
- C. ALL SURPLUS MATERIAL TO BE REMOVED & DISPOSED TO TIP OFF SITE.
- D. THE STEPPED HOLE METHOD OF EXCAVATION IS NOT PERMITTED
- E. REFER TO SIGN POST MANUFACTURER'S GUIDANCE FOR HANDLING AND TRANSPORTATION TO PREVENT DAMAGE
- F. THE SIGN POST DOOR TO FACE DOWNSTREAM FROM TRAFFIC FLOW
- G. SIGN POST TO BE TRULY VERTICAL AFTER INSTALLATION
- H. INSERT CABLE ACCESS DUCT INTO SIGN POST CABLE SLOT. CABLE DUCT TO BE FLEXIBLE POLYPROPYLENE - BLACK FOR DNO, IDNO SUPPLY OR ORANGE FOR PRIVATE CABLE SYSTEMS (DUCT TO BE 50MM INTERNAL DIAMETER SMOOTH BORE)



DOOR OPENING - 400 x 100  
 CABLE ENTRY - 150 x 75  
 LANTERN ARM MOUNTING - 76 DIA.  
 POST NUMBER - 1500 ABOVE GROUND LEVEL



**FOUNDATION DETAILS IN FOOTWAY AND OTHER PAVED AREAS.**



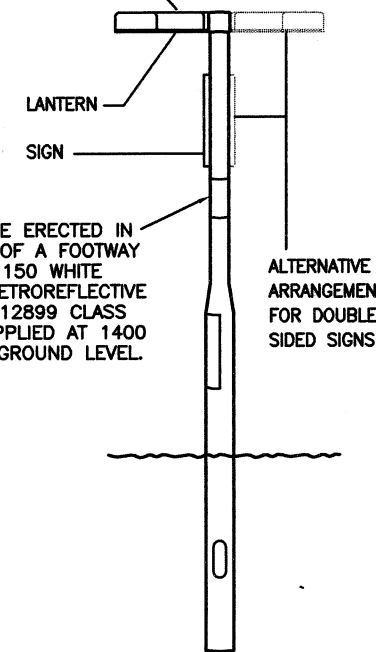
**FOUNDATION DETAILS IN GRASS VERGE.**

	REF	SIGN HEIGHT OR DIA.(mm)	SIGN WIDTH (mm)	AREA (m2)
WARNING TRIANGLE	WA	600	680	0.24
	WB	750	850	0.37
CIRCULAR REGULATORY	RC	600	-	0.28
	RD	750	-	0.44

POSTS (TO BS EN 12899 OR BS EN 12767) AND FOUNDATIONS (TO BS EN 12899) LIT SIGNS						
SIGN REF + MOUNTING HEIGHT SEE NOTE 4 AND NOTE 3	WIDE BASED POSTS		FOUNDATION			
	TYPES (OD x THICKNESS)	LENGTH *	WIDTH	DEPTH	LENGTH	
WA OR RC + 2100	76.1 x 3.2 CHS	3300	600	875	750	
WA OR RC + 2400	76.1 x 3.2 CHS	3700	600	875	750	
WB OR RD + 2100	76.1 x 3.2 CHS	3650	600	875	750	
WB OR RD + 2400	76.1 x 3.2 CHS	3950	600	875	800	
WA AND/OR RC ASSEMBLY (ASSEMBLY HEIGHT <= 1250) + 2100	76.1 x 5 CHS	3100	700	875	1100	
WA AND/OR RC ASSEMBLY (ASSEMBLY HEIGHT <= 1250) + 2400	88.9 x 5 CHS	3400	800	875	1200	

\* SEE NOTE 12 REGARDING ALLOWANCE FOR LUMINAIRE ON POST LENGTH

INTERNAL MAYFLOWER MIMS NODE IN EACH SIGNLIGHT



WHERE POSTS ARE ERECTED IN OR WITHIN 0.5m OF A FOOTWAY OR CYCLEWAY, A 150 WHITE SELF ADHESIVE RETROREFLECTIVE BAND TO BS EN 12899 CLASS RA1 SHALL BE APPLIED AT 1400 TO 1600 ABOVE GROUND LEVEL.

**EQUIPMENT ARRANGEMENT**

**SINGLE POST ILLUMINATED SIGN(S)**

SIGN LUMINAIRE WILL HAVE SEPARATE "INTERNAL MAYFLOWER MIMS NODE"

SIGN MAINTENANCE NUMBER TO BE WHITE TEXT ON BLACK (LOCATED BENEATH SIGN PLATE FACING THE ROAD)

COLUMN NUMBER (BLACK TEXT ON WHITE BACKGROUND) AT 2500 ABOVE GROUND LEVEL

WHERE POSTS ARE ERECTED IN OR WITHIN 0.5m OF A FOOTWAY OR CYCLEWAY, A 150 WHITE SELF ADHESIVE RETROREFLECTIVE BAND TO BS EN 12899 CLASS RA1 SHALL BE APPLIED AT 1400 TO 1600 ABOVE GROUND LEVEL

THE MAXIMUM AREA OF A SIGN PLATE FIXED TO A LIGHTING COLUMN SHALL BE 0.3m<sup>2</sup>

**SINGLE ILLUMINATED SIGN ATTACHED TO A STREET LIGHTING COLUMN**

**NOTES:**

1. ALL DIMENSIONS ARE IN MILLIMETRES.
2. FOR DETAILS OF ILLUMINATED SIGN LOCATIONS SEE STREET LIGHTING AND/OR SIGNING AND Lining LAYOUT DRAWINGS. FOR VERTICAL AND HORIZONTAL CLEARANCES TO SIGN FACES SEE SIGN SCHEDULES; FOR DETAILS OF SIGN FACES SEE SIGN SCHEDULES.
3. FOR ILLUMINATED SIGNS THE SIGNPOSTS SHALL BE WIDE-BASE POST TYPE; SIGNS SHALL COMPLY WITH BS EN 12899.
4. DURING INSTALLATION OF POSTS CARE IS TO BE TAKEN TO ENSURE THAT THE CORROSION PROTECTION SYSTEM IS NOT DAMAGED.
5. ANY DAMAGE TO THE EQUIPMENT DURING INSTALLATION (OR BEFORE ACCRUAL ONTO HCC'S INVENTORY) MUST BE REPAIRED TO A SATISFACTORY STANDARD IN ACCORDANCE WITH THE GUIDELINES GIVEN BY THAT SPECIFIC MANUFACTURER.
6. ALL DUCTING AND CABLING SHALL BE INSTALLED IN ACCORDANCE WITH THE CURRENT EDITION OF NJUG IN CONJUNCTION WITH CURRENT HAUC (UK) GUIDANCE. SEE ALSO NOTE H ON 'NOTES FOR EXCAVATION AND SIGN POST ERECTION' OPPOSITE.
7. GROUND-LEVEL / PLANTING DEPTH MARKER TAPE TO REMAIN AFFIXED TO THE COLUMN AFTER INSTALLATION TO DEMONSTRATE THE CORRECT PLANTING DEPTH HAS BEEN ACHIEVED.
8. DOOR LOCK TO BE M8 BOLT WITH ANTI-VANDAL HEXAGONAL HEAD WITH INTEGRAL CENTRE-PIN.
9. SIGN POST BASE-BOARDS AT LEAST EQUIVALENT TO THE DOOR SIZE AND MADE OF NON-HYGROSCOPIC AND ROT-RESISTANT HARDWOOD OF SUFFICIENT SIZE TO ACCOMMODATE ALL CONTROL EQUIPMENT AND SERVICE CUT-OUTS; BOARDS SHALL BE POSITIVELY SECURED TO THE COLUMN BY TWO FLUSH FITTING SCREWS.
10. EARTHING TERMINAL TO BE 8 DIAMETER BRASS TERMINAL WITH BRASS WASHERS AND NUTS.
11. WIDE BASE SIGN POSTS TO BE HOT-DIP GALVANISED STEEL AND UNPAINTED (IN SOME "CONSERVATION AREAS" SIGN POSTS MAY BE SPECIFIED WITH PAINTED FINISH "BLACK" BS4800 00 E 53, WITH SAME SURFACE PREPARATION AND PAINT SPECIFICATION AS DETAILED ON HCC10/L/045 - FACTORY APPLIED).
12. THE POST LENGTHS INDICATED ASSUME AN EXTENSION OF 175 FOR A LUA LUMINAIRE AND 124 FOR A LUB LUMINAIRE ABOVE SINGLE AND DOUBLE SIGN PLATES, RESPECTIVELY. THEY MAY DIFFER DEPENDING ON LUMINAIRE USED. WHERE SIGN PLATES OF DIFFERING DIMENSIONS ARE PROPOSED, THE REQUIRED POST LENGTH FOR THE ASSEMBLY (INCLUDING SPACES BETWEEN SIGNS), SHALL BE DETERMINED.

A	GENERAL UPDATES & TITLE AMENDED	MAY 18	JA	PS	J
REV	AMENDMENTS	DATE	CAD	CHKD	APPD

CONSULTANT

STUART JARVIS BSc DipTP FCIHT MRTPI: DIRECTOR OF ECONOMY, TRANSPORT & ENVIRONMENT

**STANDARD DETAILS**

**EXTERNALLY ILLUMINATED SIGN ARRANGEMENTS AND FOUNDATION DETAILS**

HCC CADplot: 22.Aug.2018 at 12:05pm		
DRAWN	CHECKED	SCALE @ A3
WW	IH, IH	N.T.S
CAD	APPROVED	DATE
WW	CP, CP	July 2015
DRG No.	REVISION	
HCC10/L/050	A	

Copyright Hampshire County Council. 2015  
 All rights, including translation, reserved. No part of this publication may be reproduced, stored in a retrieval system, or transmitted in any form or by any means (electronic, mechanical, photocopied, recorded or otherwise) without the prior written permission of Hampshire County Council. Requests should be directed to the Economy, Transport & Environment Department.