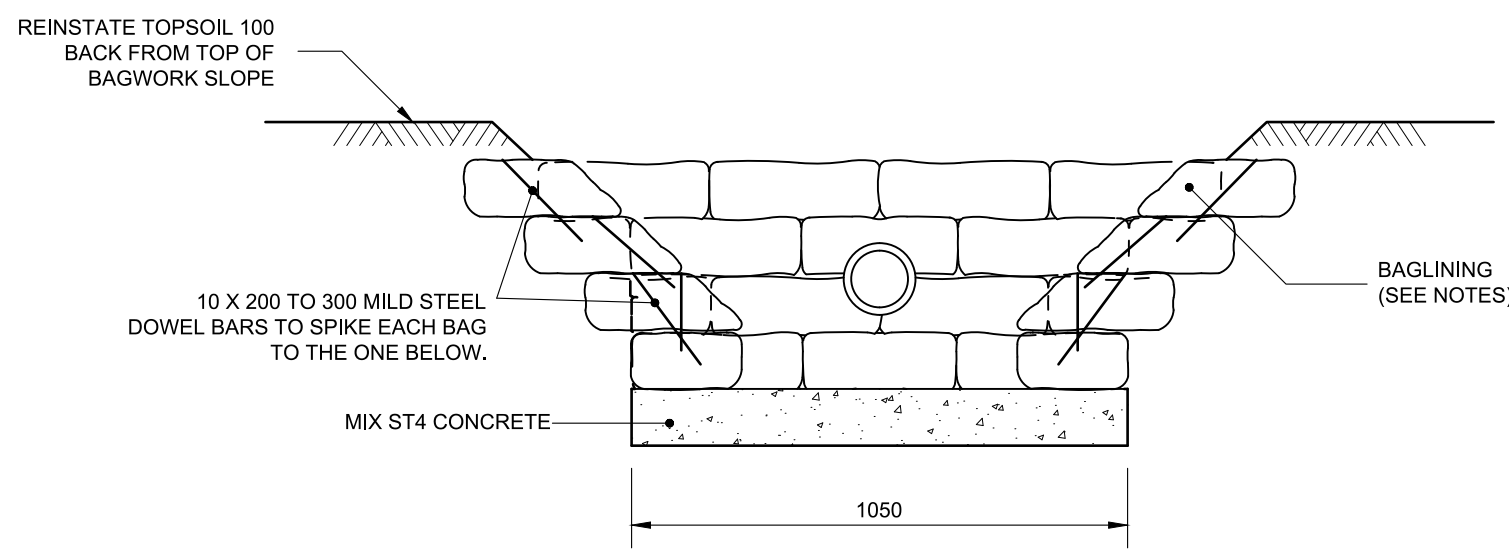


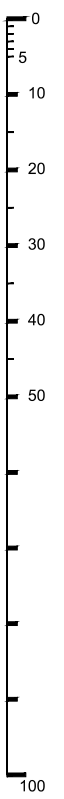
LONGITUDINAL PROFILE



SECTION B-B

NOTES

1. ALL DIMENSIONS ARE IN MILLIMETRES.
2. ALL BAGWORK SHALL BE AS CLAUSE 519. ONLY HESSIAN BAGS SHALL BE PERMITTED.
3. ALL CEMENT USED IN CONCRETE SHALL BE CII(A OR B)-S OR CIII A OR B TO BS 8500-2, TABLE 1 AND ANNEX A.
4. THE BAGS SHALL BE PINNED ENSURING THAT THE PINS DO NOT PASS THROUGH THE LOWER LAYER OF BAGWORK.
5. BEFORE ANY EXCAVATION OR PINNING OF BAGS IS UNDERTAKEN, THE CONTRACTOR SHALL SURVEY THE AREA TO ENSURE THAT THERE ARE NO BURIED SERVICES BENEATH.



A	BRANDING UPDATED	14.07.2022	CLT	KM	APPD
REV	AMENDMENTS	DATE	CAD	CHKD	APPD

CONSULTANT

**Hampshire County Council**

STUART JARVIS BSc DipTP FCIHT MRTPI: DIRECTOR OF ECONOMY, TRANSPORT & ENVIRONMENT

**Hampshire Engineering Services**

STANDARD DETAILS

DRAWING TITLE

**HEADWALL TYPE 6  
CONCRETE BAGWORK  
(INCORPORATING SUMP)**

DESIGNER	CHECKED	SCALE @ A3
RB	JPR   JPR	N.T.S
CAD	APPROVED	DATE
RB	CDP   CDP	March 2020
DRAWING NUMBER	REV	
HCC11/D/110	A	

Copyright Hampshire County Council. 2022

All rights, including translation, reserved. No part of this publication may be reproduced, stored in a retrieval system, or transmitted in any form or by any means (electronic, mechanical, photocopied, recorded or otherwise) without the prior written permission of Hampshire County Council. Requests should be directed to the Economy, Transport & Environment Department.