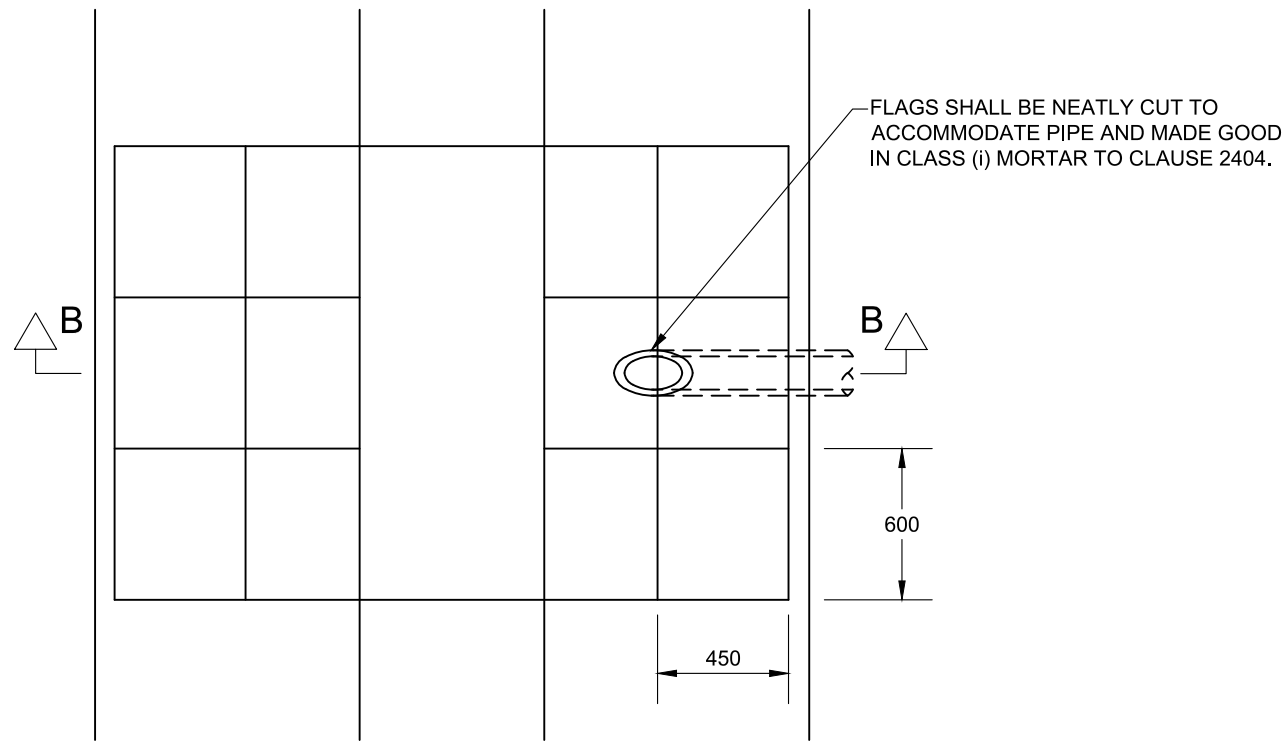


**SECTION B-B**

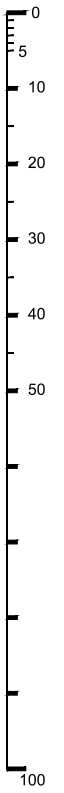


**PLAN**

**HEADWALL TYPE 4**

**NOTES**

1. ALL DIMENSIONS ARE IN MILLIMETRES.
2. SEE ENGINEERING PLANS FOR LOCATION OF HEADWALL.
3. ALL CEMENT USED IN INSITU CONCRETE SHALL BE CII(A OR B)-S OR CIII-A OR B TO BS 8500-2, TABLE 1 AND ANNEX A.



REV	AMENDMENTS	DATE	CAD	CHKD	APPD
A	BRANDING UPDATED	13.07.2022	CLT	KM	

CONSULTANT

**Hampshire County Council**

**Hampshire Engineering Services**

STUART JARVIS BSc DipTP FCIHT MRTPI: DIRECTOR OF ECONOMY, TRANSPORT & ENVIRONMENT

SCHEME

**STANDARD DETAILS**

DRAWING TITLE

**HEADWALL TYPE 4  
FLAG PAVING**

DESIGNER	CHECKED	SCALE @ A3
RB	JPR   JPR	N.T.S
CAD	APPROVED	DATE
RB	CDP   CDP	March 2020
DRAWING NUMBER	REV	
HCC11/D/100	A	

Copyright Hampshire County Council. 2022

All rights, including translation, reserved. No part of this publication may be reproduced, stored in a retrieval system, or transmitted in any form or by any means (electronic, mechanical, photocopied, recorded or otherwise) without the prior written permission of Hampshire County Council. Requests should be directed to the Economy, Transport & Environment Department.