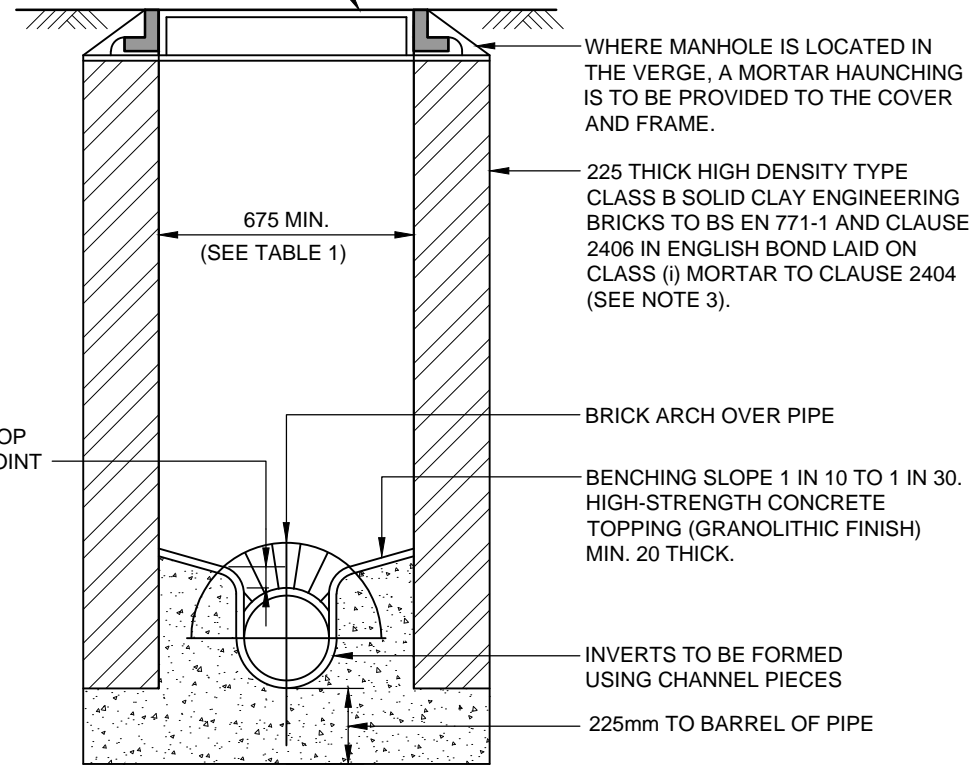
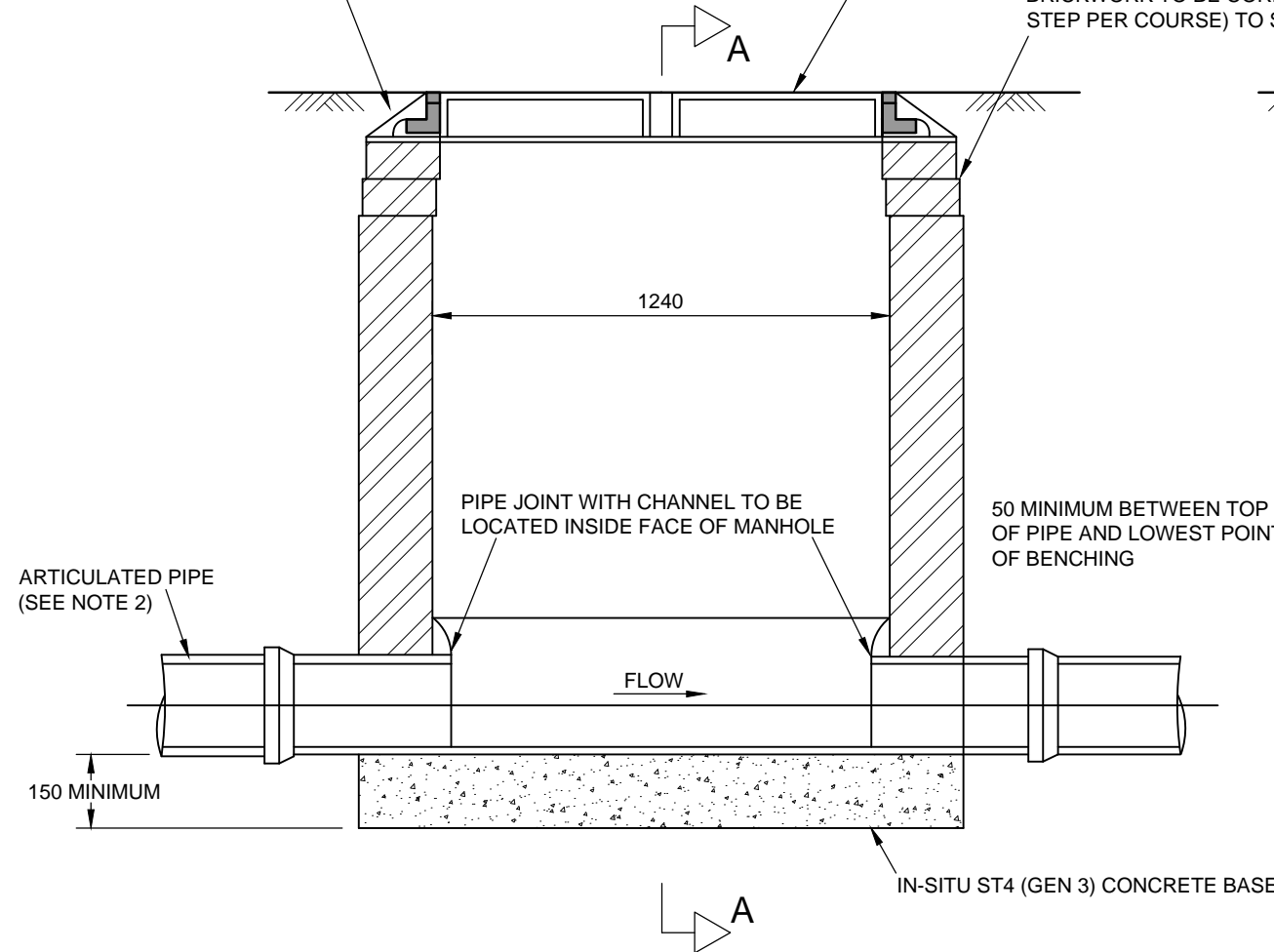


- REINSTATE ABOVE COVER SLAB AS FOLLOWS:
- (i) CARRIAGEWAYS - IN MATERIALS SPECIFIED IN APPENDIX 7/1.
 - (ii) FOOTWAYS AND OTHER PAVED AREAS - TO FORMATION LEVEL IN SUBBASE TO CLAUSE 803.
 - (iii) GRASSED AREAS - TO UNDERSIDE OF TOPSOIL IN COMPACTED GENERAL FILL MATERIAL.

MULTIPLE DUCTILE IRON COVER AND FRAME SHALL HAVE A CLEAR OPENING OF 1220 x 685. THE COVER AND FRAME SHALL CONFORM WITH THE REQUIREMENTS IN APPENDIX 5/1. THE FRAME SHALL BE BEDDED ON MINIMUM 15 THICKNESS OF POLYESTER RESIN MORTAR.

BRICKWORK TO BE CORBELLED (MAXIMUM 30 STEP PER COURSE) TO SUIT COVER.



SECTION A-A

TYPE	LARGEST PIPE DIA	CHAMBER SIZE
M3A	UP TO 225	1240 x 675
M3B	300 UP TO 700	1240 x 900

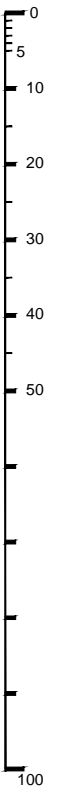
TABLE 1

NOMINAL PIPE DIA	EFFECTIVE LENGTH
150 TO 375	600

TABLE 2

NOTES

1. ALL DIMENSIONS ARE IN MILLIMETRES.
2. ALL PIPES CONNECTING TO THE CHAMBER SHALL HAVE AN ARTICULATED SECTION (ROCKER PIPE) WITH A JOINT AS CLOSE AS POSSIBLE TO THE CHAMBER TO PERMIT SUBSEQUENT MOVEMENT. THE LENGTH OF ARTICULATED PIPES SHALL BE AS SHOWN IN TABLE 2, BELOW.
3. IF THE CHAMBER IS TO BE TRAFFICKED WITHIN 48 HOURS OF BRICKWORK CONSTRUCTION A RAPID HARDENING CEMENTITIOUS OR POLYESTER RESIN MORTAR SHALL BE USED.
4. FOR MANHOLES TO BE ADOPTED BY OTHERS, THE REQUIREMENTS REGARDING THE PROVISION OF STEP IRONS ARE CONTAINED IN APPENDIX 5/1, TABLE 5/1. OTHERWISE, STEP IRONS ARE NOT TO BE INSTALLED.
5. ALL CEMENT USED IN INSITU CONCRETE SHALL BE CII(A OR B)-S OR CIII A OR B TO BS 8500-2, TABLE 1 AND ANNEX A.
6. INTERNAL DIMENSIONS OF MANHOLE NOMINALLY 1240mm x 675mm BUT MANHOLE WIDTH SHOULD BE INCREASED FOR PIPES LARGER THAN 225mm DIAMETER TO GIVE 225mm BENCHING EACH SIDE. BRICKWORK SHALL CORBELLED DOWN TO SUIT.
7. APPROVAL OF THE UNDERTAKER MUST BE GIVEN FOR INSTALLATION OF THIS TYPE OF MANHOLE.
8. THE CONTRACTOR IS TO PROVIDE TEMPORARY WORKS DETAILS AND A METHOD STATEMENT FOR APPROVAL BY THE OVERSEEING ORGANISATION AT LEAST 2 WEEKS PRIOR TO CONSTRUCTION.



B	COPYRIGHT AMENDED AND NEW DIRECTORATE DETAILED.	09.02.2023	AM	KM	MC
A	REINSTATEMENT NOTE ADDED AND BRANDING UPDATED.	04.07.2022	CLT	KM	MC
REV	AMENDMENTS	DATE	CAD	CHKD	APPD

CONSULTANT

TIM LAWTON BEng CEng FICE FCIHT : ASSISTANT DIRECTOR OF UNIVERSAL SERVICES

SCHEME

STANDARD DETAILS

DRAWING TITLE

MANHOLE TYPES M3A & M3B (BRICK, DEPTH EXCEEDING 1.0m BUT NOT 1.5m)

DESIGNER	CHECKED	SCALE @ A3
MC	JPR JPR	N.T.S
CAD	APPROVED	DATE
MC	CDP CDP	March 2020
DRAWING NUMBER	REV	
HCC11/D/055	B	

Copyright Hampshire County Council.

All rights, including translation, reserved. No part of this publication may be reproduced, stored in a retrieval system, or transmitted in any form or by any means (electronic, mechanical, photocopied, recorded or otherwise) without the prior written permission of Hampshire County Council. Requests should be directed to Hampshire Engineering Services.