

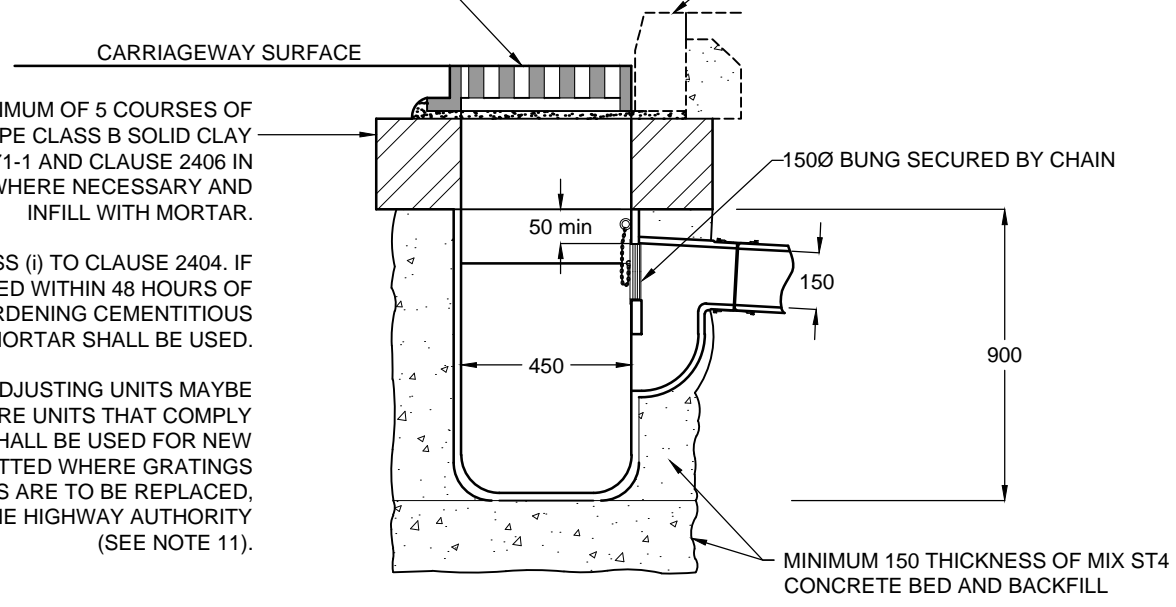
GRATING AND FRAME SHALL BE AS DESCRIBED IN APPENDIX 5/1. THE FRAME SHALL BE BEDDED ON A MINIMUM 15 THICKNESS OF POLYESTER RESIN MORTAR AND SHALL BE SET TO CROSSFALL AND PROFILE OF CARRIAGEWAY 0 TO 6 BELOW CHANNEL LEVEL.

WHERE KERB/S CROSS THE BRICKWORK TO THE GULLY, SAW CUT KERB SO THAT THE BOTTOM EDGE OF THE KERB CORRESPONDS TO THE BOTTOM EDGE OF THE GRATING FRAME. BED KERB ON MINIMUM 15 THICKNESS OF POLYESTER RESIN MORTAR TO CLAUSE 2601 AND BACK WITH A MINIMUM OF 150 THICKNESS OF MIX ST1 CONCRETE.

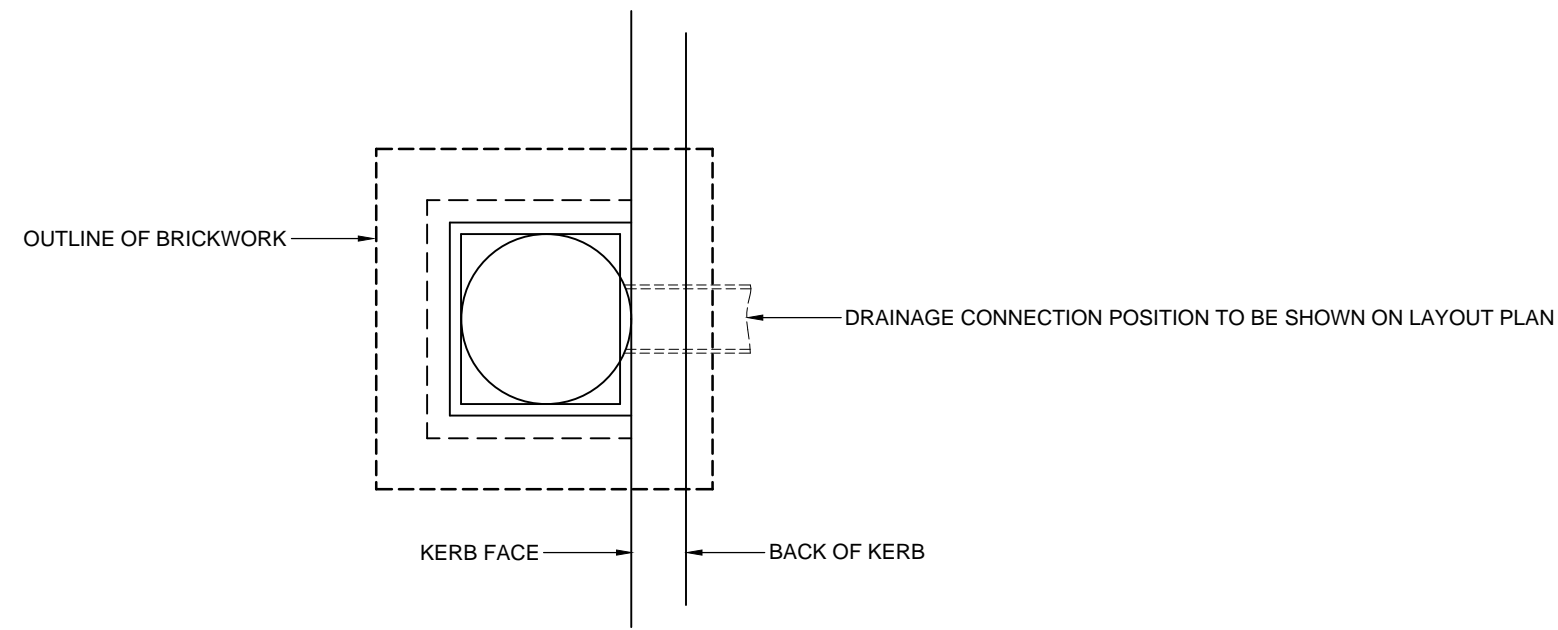
CONSTRUCT A MINIMUM OF 2 AND A MAXIMUM OF 5 COURSES OF 225 BRICKWORK IN HIGH DENSITY TYPE CLASS B SOLID CLAY ENGINEERING BRICKS TO BS EN 771-1 AND CLAUSE 2406 IN ENGLISH BOND. BOLSTER CUT WEDGES WHERE NECESSARY AND INFILL WITH MORTAR.

ALL BRICKWORK MORTAR SHALL BE CLASS (i) TO CLAUSE 2404. IF THE GULLY IS TO BE TRAFFICKED WITHIN 48 HOURS OF BRICKWORK CONSTRUCTION, A RAPID HARDENING CEMENTITIOUS MORTAR SHALL BE USED.

PROPRIETARY PRECAST CONCRETE ADJUSTING UNITS MAYBE USED IN LIEU OF BRICKWORK. ONLY SQUARE UNITS THAT COMPLY WITH BS EN 1917 AND BS 5911-3 SHALL BE USED FOR NEW GULLIES. 'U' SHAPED UNITS MAY BE PERMITTED WHERE GRATINGS AND FRAMES ON EXISTING GULLIES ARE TO BE REPLACED, SUBJECT TO PRIOR AGREEMENT OF THE HIGHWAY AUTHORITY (SEE NOTE 11).



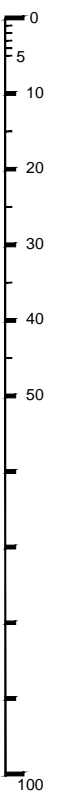
SECTION



TYPICAL PLAN
GRATING OMITTED FOR CLARITY

NOTES

1. ALL DIMENSIONS ARE IN MILLIMETRES.
2. THE DETAIL SHOWN IS FOR IN-SITU CONCRETE GULLY POT USING PERMANENT SHUTTERING.
3. THE OUTLET PIPE SHALL HAVE A TYPE Z BED.
4. GULLY SHOWN IS A TRAPPED GULLY. ALL GULLIES SHALL BE TRAPPED UNLESS STATED OTHERWISE IN APPENDIX 5/1.
5. UNLESS STATED OTHERWISE IN APPENDIX 5/1, ALL GRATINGS SHALL HAVE A 450 X 450 CLEAR OPENING CONFORMING TO BS EN 124 - GROUP 4 AND CD 534.
6. GRATINGS SHALL BE EITHER LEFT HAND OR RIGHT HAND HINGED AS VIEWED WHEN FACING THE KERB. THE HINGED END SHALL BE NEAREST ON-COMING TRAFFIC. THE GRATING SHALL BE CAPTIVE WITHIN THE FRAME.
7. EXISTING CARRIAGEWAY REINSTATEMENT SHALL BE AS SPECIFIED ON LAYOUT DRAWINGS OR IN APPENDIX 7/2.
8. ALL CEMENT USED IN INSITU CONCRETE SHALL BE CII(A OR B)-S OR CIII A OR B TO BS 8500-2, TABLE 1 AND ANNEX A.
9. AS AN ALTERNATIVE TO IN-SITU GULLY POTS, PRE-CAST CONCRETE POTS TO BS 5911-6 MAY BE USED WITH A 150 THICK MIX ST4 CONCRETE BED AND BACKING.
10. UNLESS AGREED WITH THE HIGHWAY AUTHORITY, APART FROM AN INITIAL BEND FROM THE GULLY OUTLET, ALL CONNECTIONS TO CHAMBERS AND CARRIER DRAINS SHALL BE STRAIGHT.
11. ALL PROPRIETARY PRECAST CONCRETE ADJUSTING UNITS SHALL BE BEDDED ON MINIMUM 15 THICK POLYESTER RESIN MORTAR TO CLAUSE 2601.



B	COPYRIGHT AMENDED AND NEW DIRECTORATE DETAILED.	09.02.2023	AM	JM	
A	BRANDING UPDATED.	01.07.2022	CLT	KM	MC
REV	AMENDMENTS	DATE	CAD	CHKD	APPD

CONSULTANT

TIM LAWTON BEng CEng FICE FCIHT : ASSISTANT DIRECTOR OF UNIVERSAL SERVICES

SCHEME

STANDARD DETAILS

DRAWING TITLE

**GULLY
TYPE 1T**

DESIGNER	CHECKED	SCALE @ A3
RB	JPR JPR	N.T.S
CAD	APPROVED	DATE
RB	CDP CDP	March 2020
DRAWING NUMBER	REV	
HCC11/D/015	B	

Copyright Hampshire County Council.

All rights, including translation, reserved. No part of this publication may be reproduced, stored in a retrieval system, or transmitted in any form or by any means (electronic, mechanical, photocopied, recorded or otherwise) without the prior written permission of Hampshire County Council. Requests should be directed to Hampshire Engineering Services.