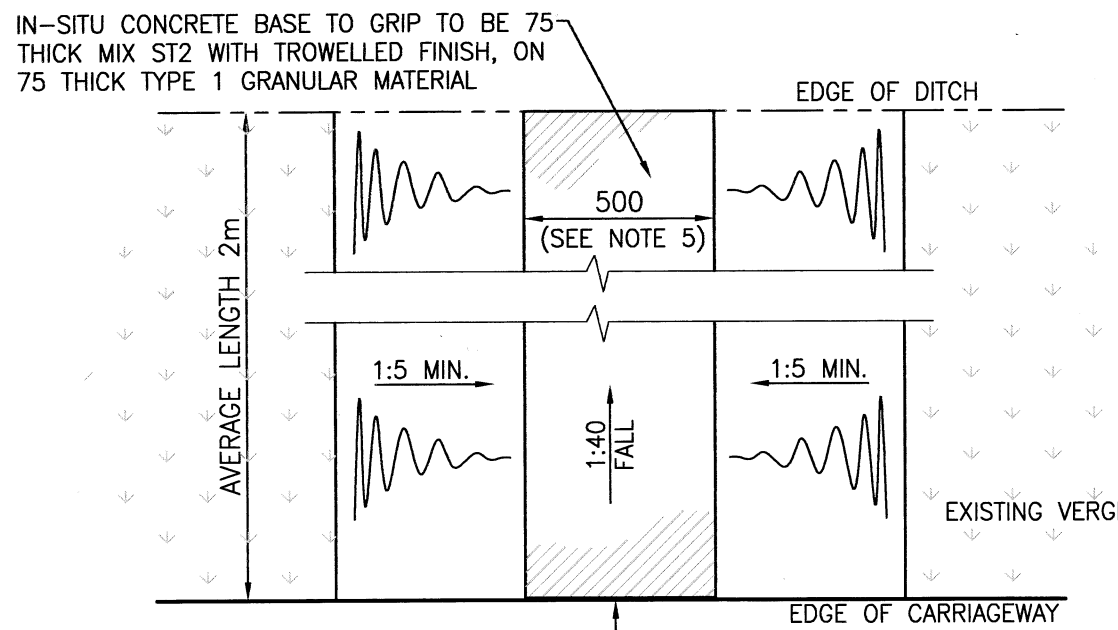


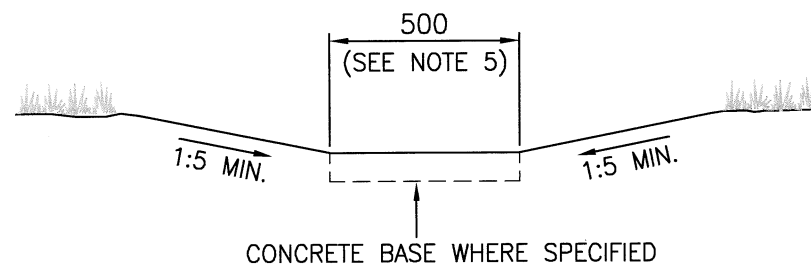
BASE OF GRIP TO BE BETWEEN 5mm AND 25mm BELOW THE CARRIAGEWAY LEVEL (AS AGREED WITH THE OVERSEEING ORGANISATION)

UNLINED DRAINAGE GRIP – PLAN VIEW

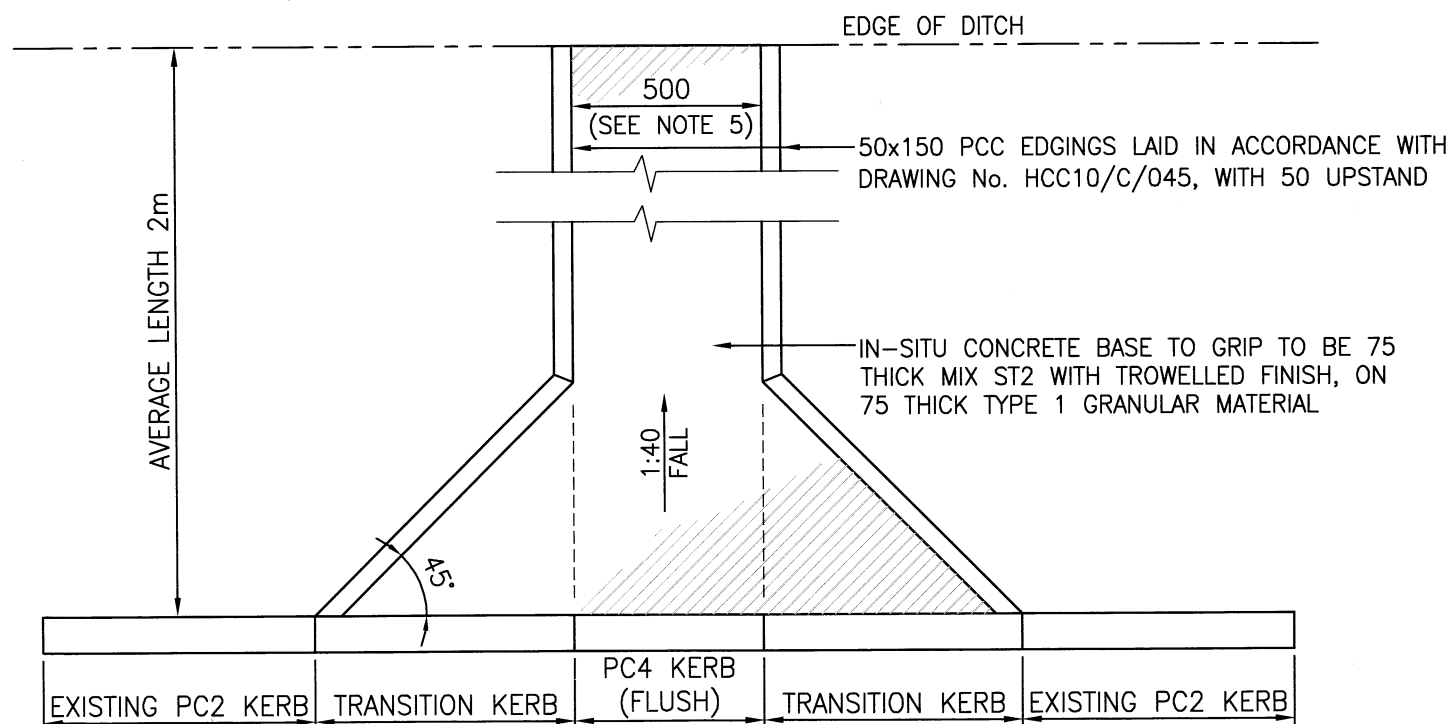


BASE OF GRIP TO BE BETWEEN 5mm AND 25mm BELOW THE CARRIAGEWAY LEVEL (AS AGREED WITH THE OVERSEEING ORGANISATION)

CONCRETE-LINED DRAINAGE GRIP



TYPICAL PROFILE OF UNLINED & CONCRETE-LINED GRIP



CONCRETE-LINED DRAINAGE GRIP WITH KERBS – PLAN VIEW

NOTES:

1. ALL DIMENSIONS ARE IN MILLIMETRES.
2. EXCAVATED MATERIAL SHALL BE SPREAD EVENLY OVER THE EXISTING VERGE TO A MAXIMUM DEPTH OF 50mm AND SPREAD WITH GRASS SEED IN ACCORDANCE WITH APPENDIX 30/5 OR DISPOSED OF AS INDICATED ELSEWHERE IN THE CONTRACT.
3. WHERE EXCAVATION INTO THE EXISTING CARRIAGEWAY IS REQUIRED, THE EXCAVATION SHALL BE OF SUFFICIENT DEPTH AND WIDTH TO ACCOMMODATE THE KERB TYPE SPECIFIED IN APPENDIX 11/1. ALSO REFER TO DRAWING No. HCC10/M/010.
4. UNLESS SPECIFIED ELSEWHERE, THE FLUSH PC4 KERB SHALL BE A 125x150 CS2 SQUARE CHANNEL.
5. 600x600x50 PC CONCRETE SLABS MAY BE USED AS A BASE INSTEAD OF THE 500 WIDE IN-SITU CONCRETE.
6. ALTHOUGH THE UNLINED AND CONCRETE-LINED GRIPS ARE SHOWN AT 90° TO THE CARRIAGEWAY ON THIS DRAWING, THE ACTUAL ANGLE MAY BE UP TO 30° FROM THIS IF NECESSARY DUE TO THE VERGE GRADIENT. REFER TO THE SCHEME DRAWINGS FOR ACTUAL LAYOUT OF GRIPS.

Copyright Hampshire County Council. 2015
All rights, including translation, reserved. No part of this publication may be reproduced, stored in a retrieval system, or transmitted in any form or by any means (electronic, mechanical, photocopied, recorded or otherwise) without the prior written permission of Hampshire County Council. Requests should be directed to the Economy, Transport & Environment Department.

REV	AMENDMENTS	DATE	CAD	CHKD	APPD	
-	-	-	-	-	-	
CONSULTANT						
STUART JARVIS BSc DipTP FCIHT MRTPI: DIRECTOR OF ECONOMY, TRANSPORT & ENVIRONMENT						
SCHEME						
STANDARD DETAILS						
DRAWING TITLE						
DRAINAGE GRIPS						
HCC CADplot: 18.Sep.2015 at 2:10pm						
DRAWN	WW	CHECKED	SG	SCALE @ A3	N.T.S	
CAD	WW	APPROVED	CP	DATE	July 2015	
DRG No.	HCC10/D/130				REVISION	-