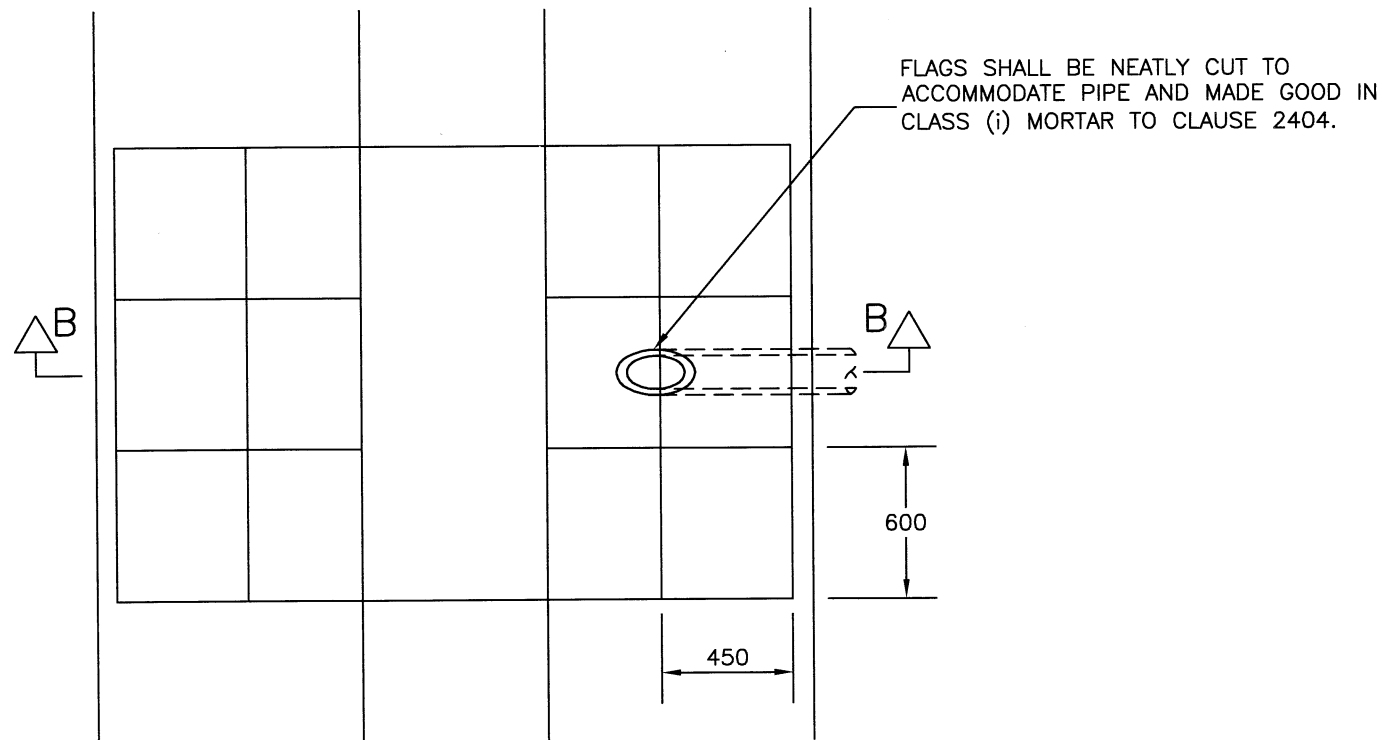


SECTION B-B



PLAN

HEADWALL TYPE 4

Copyright Hampshire County Council. 2015

All rights, including translation, reserved. No part of this publication may be reproduced, stored in a retrieval system, or transmitted in any form or by any means (electronic, mechanical, photocopied, recorded or otherwise) without the prior written permission of Hampshire County Council. Requests should be directed to the Economy, Transport & Environment Department.

NOTES:

1. ALL DIMENSIONS ARE IN MILLIMETRES.
2. SEE ENGINEERING PLANS FOR LOCATION OF HEADWALL.
3. ALL CEMENT USED IN INSITU CONCRETE SHALL BE CII(A OR B)-S OR CIII-A OR B TO BS 8500-2, TABLE 1 AND ANNEX A.

REV	AMENDMENTS	DATE	CAD	CHKD	APPD
-	-	-	-	-	-
CONSULTANT					
STUART JARVIS BSc DipTP FCIHT MRTPI: DIRECTOR OF ECONOMY, TRANSPORT & ENVIRONMENT					
SCHEME					
STANDARD DETAILS					
DRAWING TITLE					
HEADWALL TYPE 4 FLAG PAVING					
HCC CADplot: 18.Sep.2015 at 2:10pm					
DRAWN	CHECKED	SCALE @ A3			
RB	WW <i>WW</i>	N.T.S			
CAD	APPROVED	DATE		REVISION	
RB	CP <i>CP</i>	July 2015		-	
DRG No. HCC10/D/105				REVISION	
				-	