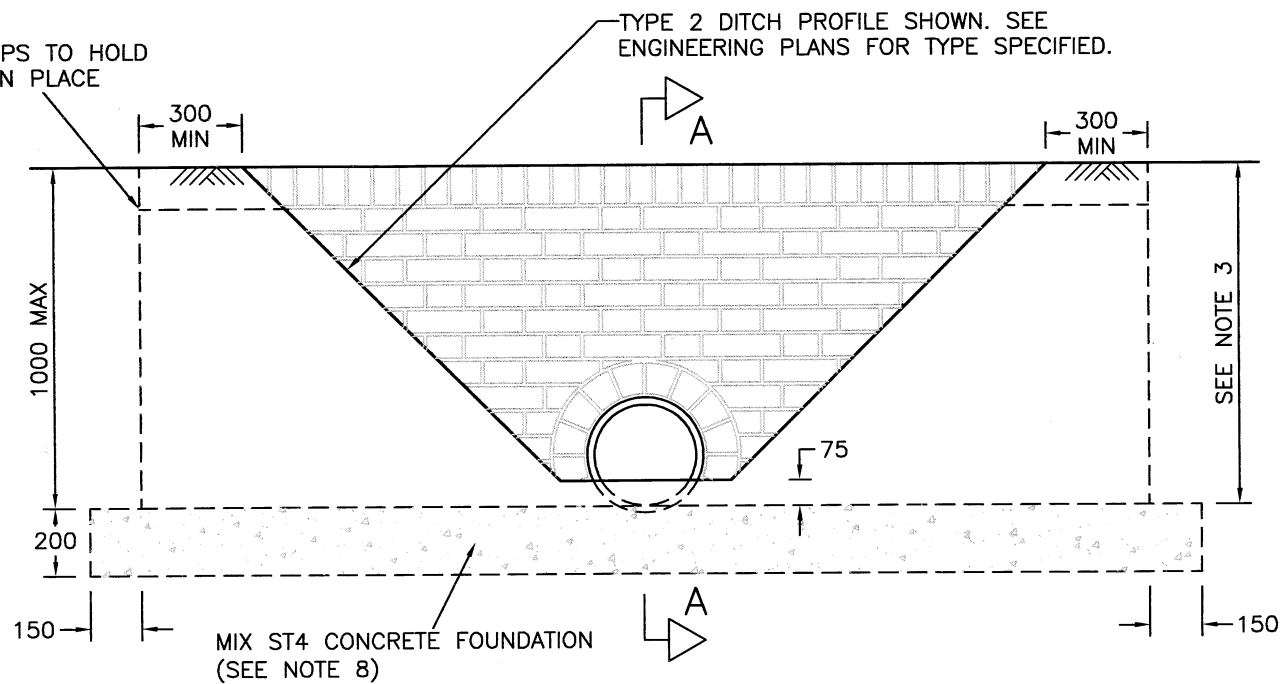
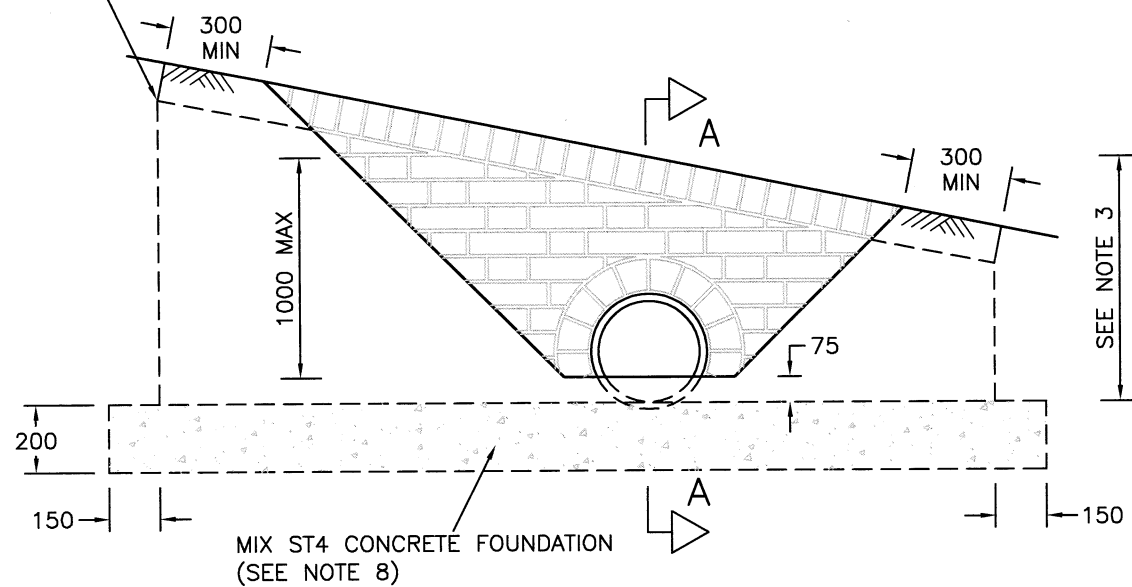


STAINLESS STEEL COPING CRAMPS TO HOLD END BRICKS OF TOP COURSE IN PLACE



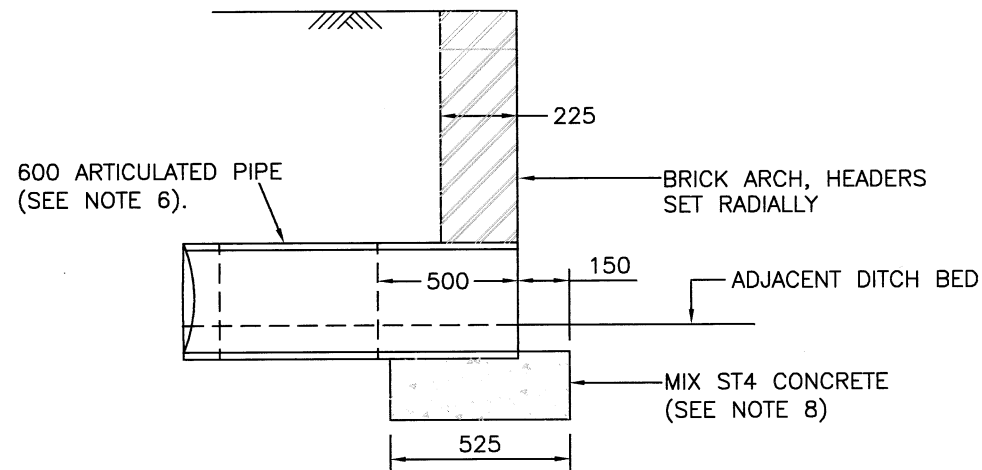
ELEVATION  
TYPE 1A (LEVEL TOP)

STAINLESS STEEL COPING CRAMPS TO HOLD END BRICKS OF TOP COURSE IN PLACE



ELEVATION  
TYPE 1B (INCLINED TOP)

TYPE 2 DITCH PROFILE SHOWN. SEE ENGINEERING PLANS FOR TYPE SPECIFIED.



SECTION A-A

NOTES:

1. ALL DIMENSIONS ARE IN MILLIMETRES.
2. BRICKWORK SHALL BE IN FLEMISH BOND HIGH DENSITY TYPE CLASS B SOLID CLAY ENGINEERING BRICKS TO BS EN 771-1 AND CLAUSE 2406 LAID ON CLASS (i) MORTAR TO CLAUSE 2404.
3. WALL DIMENSIONS SHALL BE AS STATED IN APPENDIX 5/1.
4. UNLESS OTHERWISE SPECIFIED BACKFILL AROUND HEADWALL SHALL BE IN ACCORDANCE WITH CLAUSE 507.7.
5. FOR ANY DITCH PROTECTION ADJACENT TO HEADWALL REFER TO ENGINEERING PLANS.
6. THE PIPE CONNECTING TO THE HEADWALL SHALL HAVE AN ARTICULATED SECTION ALL AS CLAUSE 507.17.
7. JOINT FINISH TO EXPOSED BRICKWORK SHALL BE 'BUCKET HANDLE'.
8. ALL CEMENT USED IN INSITU CONCRETE SHALL BE CII(A OR B)-S OR CIII A OR B TO BS 8500-2, TABLE 1 AND ANNEX A.

REV	AMENDMENTS	DATE	CAD	CHKD	APPD
-	-	-	-	-	-

CONSULTANT

**Hampshire County Council Engineering CONSULTANCY**

STUART JARVIS BSc DipTP FCIHT MRTPI: DIRECTOR OF ECONOMY, TRANSPORT & ENVIRONMENT

SCHEME

**STANDARD DETAILS**

DRAWING TITLE

**HEADWALL TYPE 1A & 1B BRICKWORK NOT EXCEEDING 1.0m IN HEIGHT**

HCC CADplot: 18.Sep.2015 at 2:09pm	DRAWN	CHECKED	SCALE @ A3
	MC	WW <i>WW</i>	N.T.S
	CAD	APPROVED	DATE
	MC	CP <i>CP</i>	July 2015
	DRG No.	HCC10/D/090	REVISION
			-

Copyright Hampshire County Council. 2015  
All rights, including translation, reserved. No part of this publication may be reproduced, stored in a retrieval system, or transmitted in any form or by any means (electronic, mechanical, photocopied, recorded or otherwise) without the prior written permission of Hampshire County Council. Requests should be directed to the Economy, Transport & Environment Department.

HCC CADfile: K:\Eng\Standard\AutoCAD\Standard Details (Secure) As Updated Dec 2011\2015 STANDARD DETAILS-NOT YET RELEASED\Series\D-090.dwg