

CONSTRUCT MINIMUM OF 2 AND MAXIMUM OF 4 COURSES OF 225 HIGH DENSITY TYPE CLASS B SOLID CLAY ENGINEERING BRICKS TO BS EN 771-1 AND CLAUSE 2406. LAID ON CLASS (i) MORTAR TO CLAUSE 2404.

GRATING AND FRAME SHALL HAVE A 600 x 600 CLEAR OPENING AND SHALL BE AS DESCRIBED IN APPENDIX 5/1. THE FRAME SHALL BE BEDDED ON MINIMUM 15 THICKNESS OF POLYESTER RESIN MORTAR.

GRATING AND FRAME TO SET TO CROSSFALL AND PROFILE OF CARRIAGEWAY OR VERGE 0 TO 6 BELOW FINISHED LEVEL.

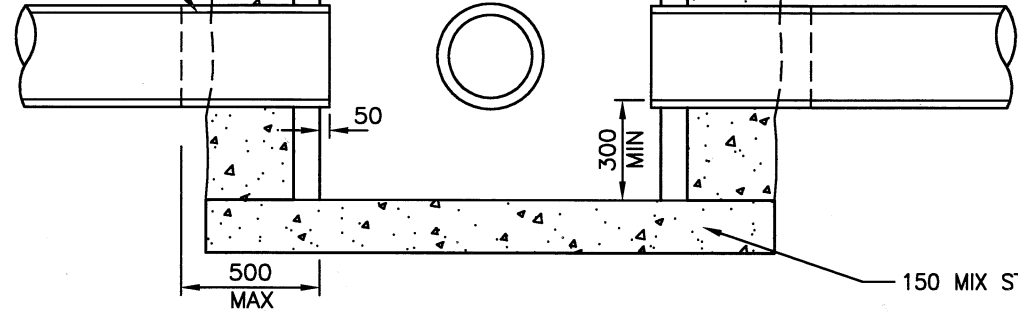
125 PRECAST CONCRETE SLAB BEDDED ON 10 MIN MORTAR BED DESIGNATION (i) TO CLAUSE 2404.

BACKFILL IN MIX ST2 CONCRETE MINIMUM THICKNESS 75.

900 DIA. INTERNAL DIAMETER PRECAST CONCRETE CHAMBER RINGS BEDDED ON CLASS (i) MORTAR TO CLAUSE 2404.

STUB PIPE (SEE NOTE 3)

SEE TABLE 1 FOR CHAMBER DIAMETER



TYPICAL SECTION

TABLE 1

TYPE	LARGEST PIPE DIAMETER.	CHAMBER DIA.
CCG1	150	900
CCG2	150 TO 225	1050
CCG3	300	1200
CCG4	375 TO 450	1500

NOTES:

1. ALL DIMENSIONS ARE IN MILLIMETRES.
2. CHAMBER RINGS AND COVER SLAB TO BS.5911-3 AND BS EN 1917.
3. A STUB PIPE SHALL BE PROVIDED FOR EACH PIPE CONNECTING TO THE CHAMBER OF SUFFICIENT LENGTH TO ENABLE THE NEXT PIPE TO BE JOINTED AND NOT BE RESTRICTED BY CONCRETE BACKFILL.
4. ALL CEMENT USED IN INSITU CONCRETE SHALL BE CII(A OR B)-S OR CIII A OR B TO BS 8500-2, TABLE 1 AND ANNEX A.

A	OPENING SIZE REVISED TO 600X600	02/10/17	WW	<i>[Signature]</i>	<i>[Signature]</i>
REV	AMENDMENTS	DATE	CAD	CHKD	APPD

CONSULTANT

STUART JARVIS BSc DipTP FCIHT MRTPI: DIRECTOR OF ECONOMY, TRANSPORT & ENVIRONMENT

SCHEME

**STANDARD DETAILS**

DRAWING TITLE

**COMBINED CATCHPIT/GULLY  
TYPE CCG1 TO CCG4  
- PRECAST CONCRETE**

HCC CADplot: 02.Oct.2017 at 1:58pm		
DRAWN	CHECKED	SCALE @ A3
RB	WW, WW	N.T.S
CAD	APPROVED	DATE
RB	CP, CP	July 2015
DRG No.	REVISION	
HCC10/D/035	A	

Copyright Hampshire County Council. 2015  
All rights, including translation, reserved. No part of this publication may be reproduced, stored in a retrieval system, or transmitted in any form or by any means (electronic, mechanical, photocopied, recorded or otherwise) without the prior written permission of Hampshire County Council. Requests should be directed to the Economy, Transport & Environment Department.

HCC CADfile: K:\Eng\Standard\AutoCAD\Standard Details (Secure) As Updated Dec 2011\HCC10 2015 STANDARD DETAILS\Series\D-035.dwg