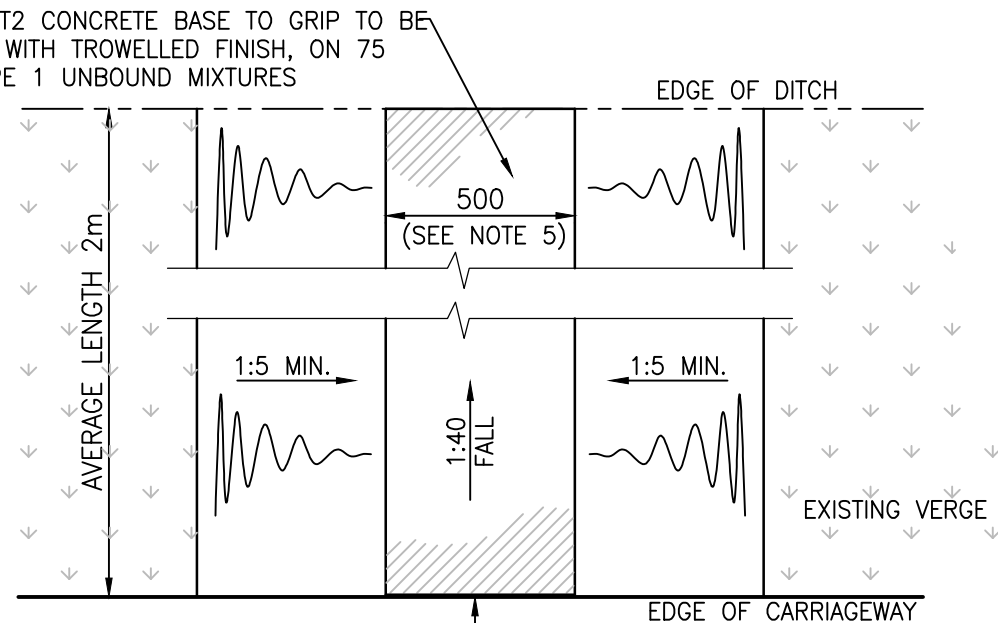


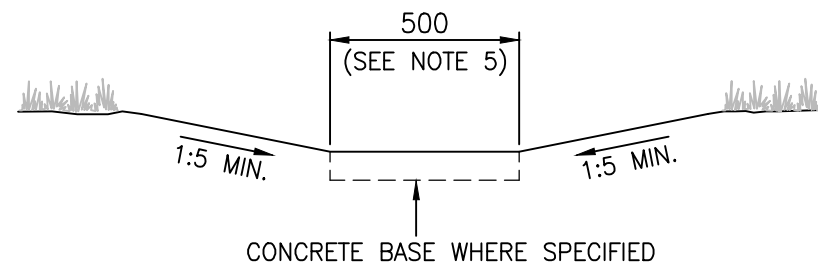
BASE OF GRIP TO BE BETWEEN 5mm AND 25mm BELOW THE CARRIAGEWAY LEVEL (AS AGREED WITH THE OVERSEEING ORGANISATION)

UNLINED DRAINAGE GRIP – PLAN VIEW

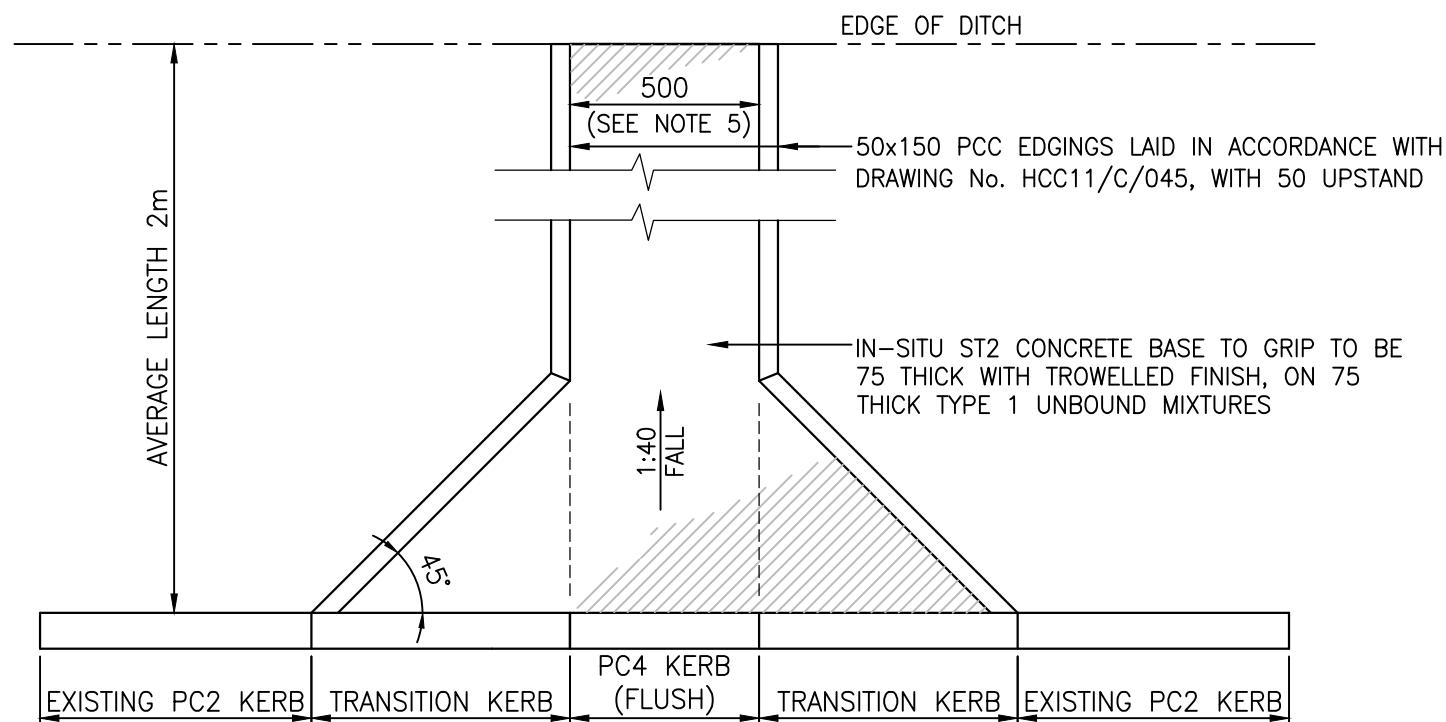


BASE OF GRIP TO BE BETWEEN 5mm AND 25mm BELOW THE CARRIAGEWAY LEVEL (AS AGREED WITH THE OVERSEEING ORGANISATION)

CONCRETE-LINED DRAINAGE GRIP



TYPICAL PROFILE OF UNLINED & CONCRETE-LINED GRIP



CONCRETE-LINED DRAINAGE GRIP WITH KERBS – PLAN VIEW

NOTES:

1. ALL DIMENSIONS ARE IN MILLIMETRES.
2. EXCAVATED MATERIAL SHALL BE SPREAD EVENLY OVER THE EXISTING VERGE TO A MAXIMUM DEPTH OF 50mm AND SEEDED IN ACCORDANCE WITH APPENDIX 30/5 OR DISPOSED OF AS INDICATED ELSEWHERE IN THE CONTRACT.
3. WHERE EXCAVATION INTO THE EXISTING CARRIAGEWAY IS REQUIRED, THE EXCAVATION SHALL BE OF SUFFICIENT DEPTH AND WIDTH TO ACCOMMODATE THE KERB TYPE SPECIFIED IN APPENDIX 11/1. ALSO REFER TO DRAWING No. HCC11/M/015.
4. UNLESS SPECIFIED ELSEWHERE, THE FLUSH PC4 KERB SHALL BE A 125x150 CS2 SQUARE CHANNEL.
5. 600x600x50 PC CONCRETE SLABS MAY BE USED AS A BASE INSTEAD OF THE 500 WIDE IN-SITU CONCRETE.
6. ALTHOUGH THE UNLINED AND CONCRETE-LINED GRIPS ARE SHOWN AT 90° TO THE CARRIAGEWAY ON THIS DRAWING, THE ACTUAL ANGLE MAY BE UP TO 30° FROM THIS IF NECESSARY DUE TO THE VERGE GRADIENT. REFER TO THE SCHEME DRAWINGS FOR ACTUAL LAYOUT OF GRIPS.

Copyright Hampshire County Council. 2019
All rights, including translation, reserved. No part of this publication may be reproduced, stored in a retrieval system, or transmitted in any form or by any means (electronic, mechanical, photocopied, recorded or otherwise) without the prior written permission of Hampshire County Council. Requests should be directed to the Economy, Transport & Environment Department.

REV	AMENDMENTS	DATE	CAD	CHKD	APPD
CONSULTANT					
 STUART JARVIS BSc DipTP FCIHT MRTPI: DIRECTOR OF ECONOMY, TRANSPORT & ENVIRONMENT					
SCHEME					
STANDARD DETAILS					
DRAWING TITLE					
DRAINAGE GRIPS					
HCC CADplot: 01.Jun.2020 at 9:13am					
DRAWN	WW	CHECKED	JPR	SCALE @ A3	N.T.S
CAD	WW	APPROVED	CDP	DATE	March 2020
DRG No.	HCC11/D/125				REVISION

Use path: K:\Enal Standard AutoCAD Standard Detail (Scheme) Ac Handed Dec 2011\HCC11 2020 STANDARD DETAILS\0125.dwg