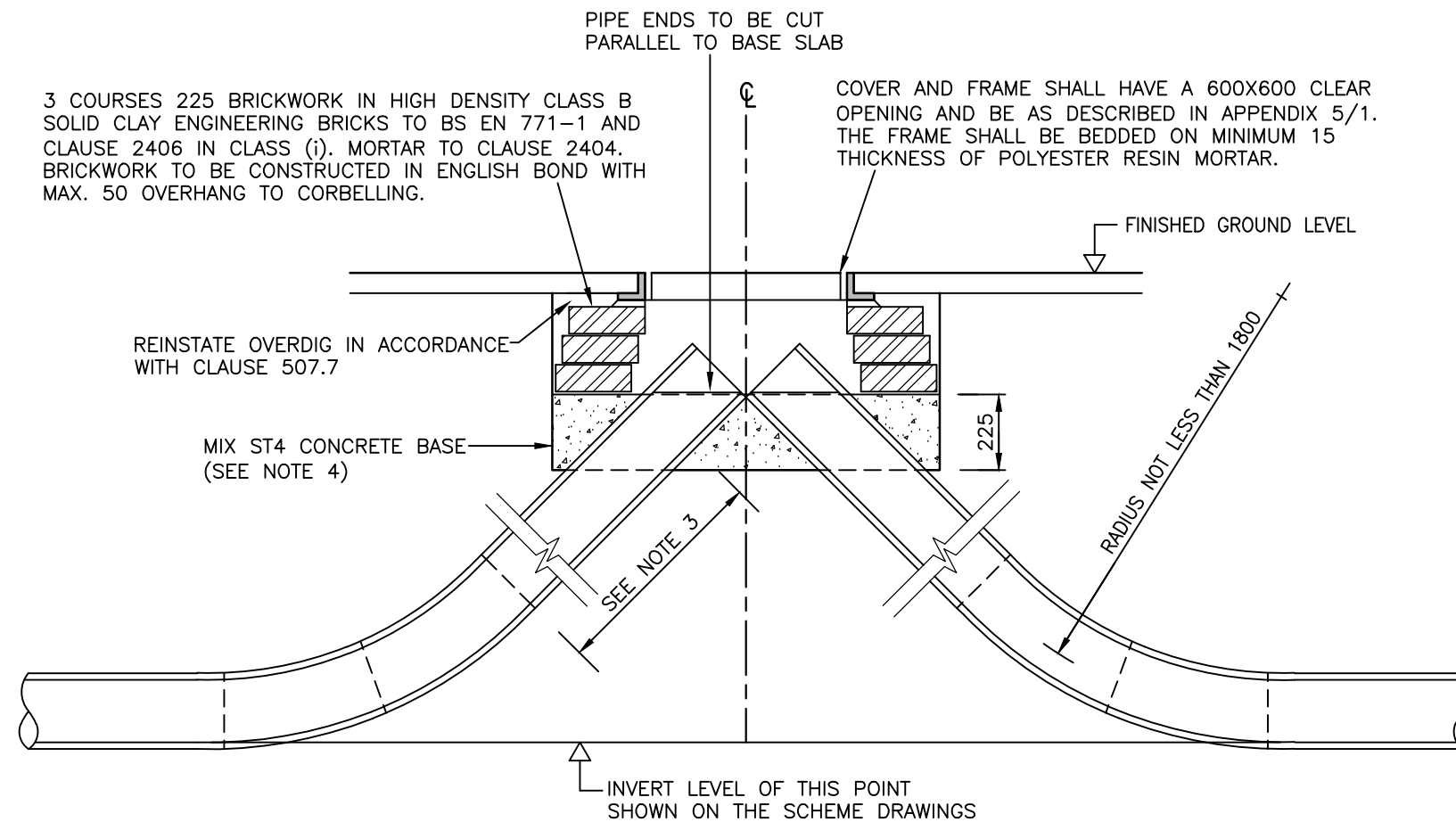
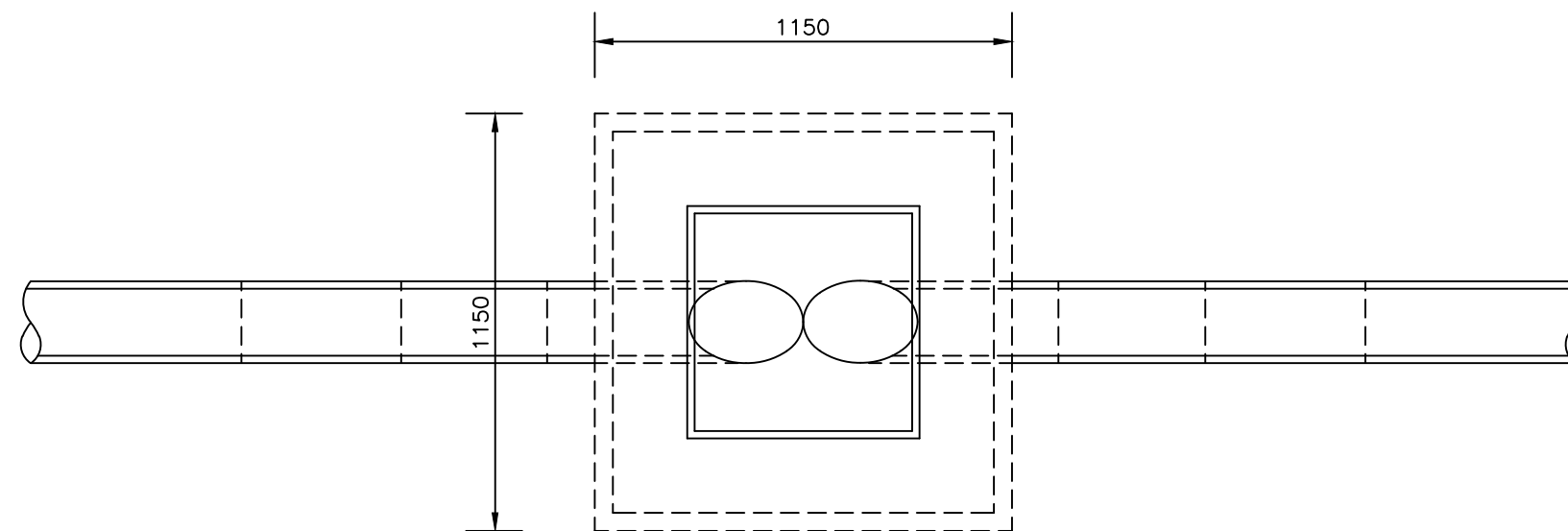


NOTES:

1. ALL DIMENSIONS ARE IN MILLIMETRES.
2. THE RAMPED PIPES AND BENDS SHALL BE FLEXIBLY JOINTED.
3. THE JOINT NEAREST TO THE RODDING EYE SHALL BE NOT MORE THAN 600mm IN ANY DIRECTION FROM THE INSIDE SURFACE OF THE CHAMBER.
4. ALL CEMENT USED IN INSITU CONCRETE SHALL BE CII(A OR B)-S OR CIII-A OR B TO BS 8500-1, TABLE 1 AND ANNEX A.



SECTION ON C-C



PLAN RODDING EYE TYPE 2
(RODDING EYE TYPE 1 AS ABOVE BUT FOR SINGLE PIPE ENTRY)

Copyright Hampshire County Council. 2019
All rights, including translation, reserved. No part of this publication may be reproduced, stored in a retrieval system, or transmitted in any form or by any means (electronic, mechanical, photocopied, recorded or otherwise) without the prior written permission of Hampshire County Council. Requests should be directed to the Economy, Transport & Environment Department.

REV	AMENDMENTS	DATE	CAD	CHKD	APPD
CONSULTANT					
<p>STUART JARVIS BSc DipTP FCIHT MRTPI: DIRECTOR OF ECONOMY, TRANSPORT & ENVIRONMENT</p>					
SCHEME					
STANDARD DETAILS					
DRAWING TITLE					
RODDING EYE TYPES 1 AND 2					
HCC CADplot: 01.Jun.2020 at 9:12am					
DRAWN	RB	CHECKED	JPR	SCALE @ A3	N.T.S
CAD	RB	APPROVED	CDP	DATE	March 2020
DRG No.	HCC11/D/120				REVISION

Use only in conjunction with the Standard Details (Scheme) as indicated. Dec 2011\HCC11 2020 STANDARD DETAILS\Serial D 120.dwg