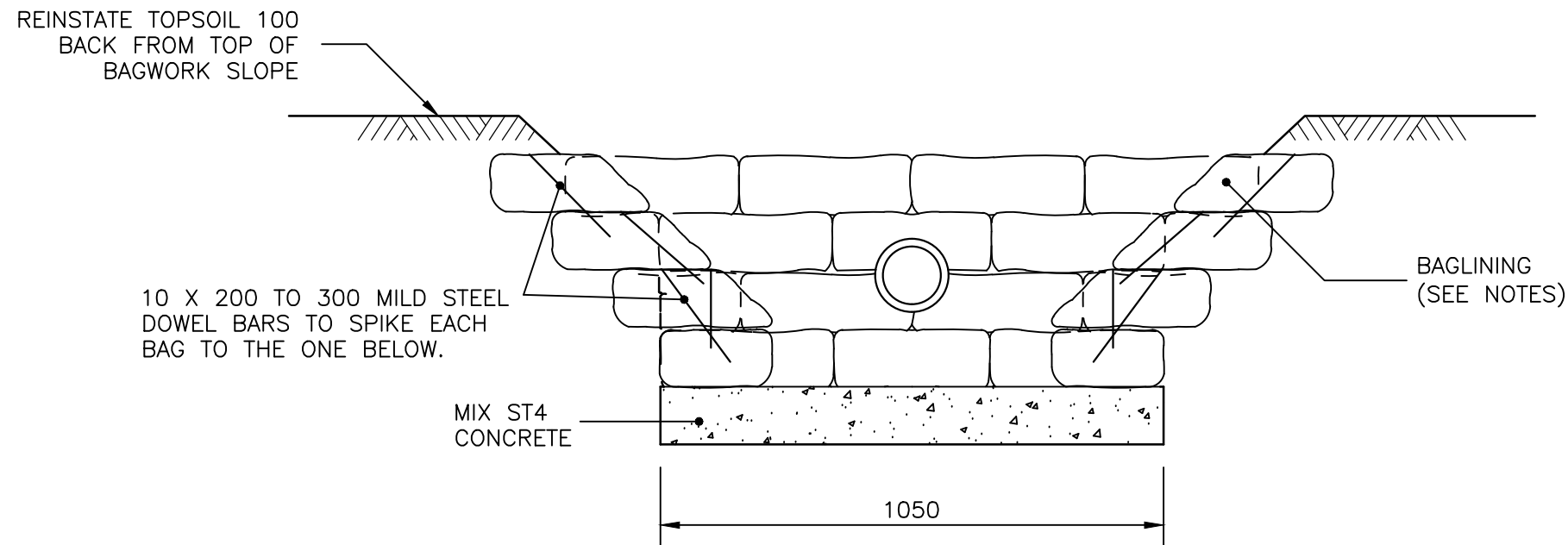


LONGITUDINAL PROFILE



SECTION B-B

NOTES:

1. ALL DIMENSIONS ARE IN MILLIMETRES.
2. ALL BAGWORK SHALL BE AS CLAUSE 519. ONLY HESSIAN BAGS SHALL BE PERMITTED.
3. ALL CEMENT USED IN CONCRETE SHALL BE CII(A OR B)-S OR CIII A OR B TO BS 8500-2, TABLE 1 AND ANNEX A.
4. THE BAGS SHALL BE PINNED ENSURING THAT THE PINS DO NOT PASS THROUGH THE LOWER LAYER OF BAGWORK.
5. BEFORE ANY EXCAVATION OR PINNING OF BAGS IS UNDERTAKEN, THE CONTRACTOR SHALL SURVEY THE AREA TO ENSURE THAT THERE ARE NO BURIED SERVICES BENEATH.

REV	AMENDMENTS	DATE	CAD	CHKD	APPD

CONSULTANT

STUART JARVIS BSc DipTP FCIHT MRTPI: DIRECTOR OF ECONOMY, TRANSPORT & ENVIRONMENT

SCHEME

STANDARD DETAILS

DRAWING TITLE

**HEADWALL TYPE 6
CONCRETE BAGWORK
(INCORPORATING SUMP)**

HCC CADplot: 24.Mar.2020 at 9:05am		
DRAWN	CHECKED	SCALE @ A3
RB	JPR	N.T.S
CAD	APPROVED	DATE
RB	CDP	March 2020
DRG No.	REVISION	
HCC11/D/110		

Copyright Hampshire County Council. 2019

All rights, including translation, reserved. No part of this publication may be reproduced, stored in a retrieval system, or transmitted in any form or by any means (electronic, mechanical, photocopied, recorded or otherwise) without the prior written permission of Hampshire County Council. Requests should be directed to the Economy, Transport & Environment Department.

Use only in conjunction with the Standard Details (Scheme) as indicated. Dec 2014 LCCC11 2020 STANDARD DETAILS D Serial D 110 Rev