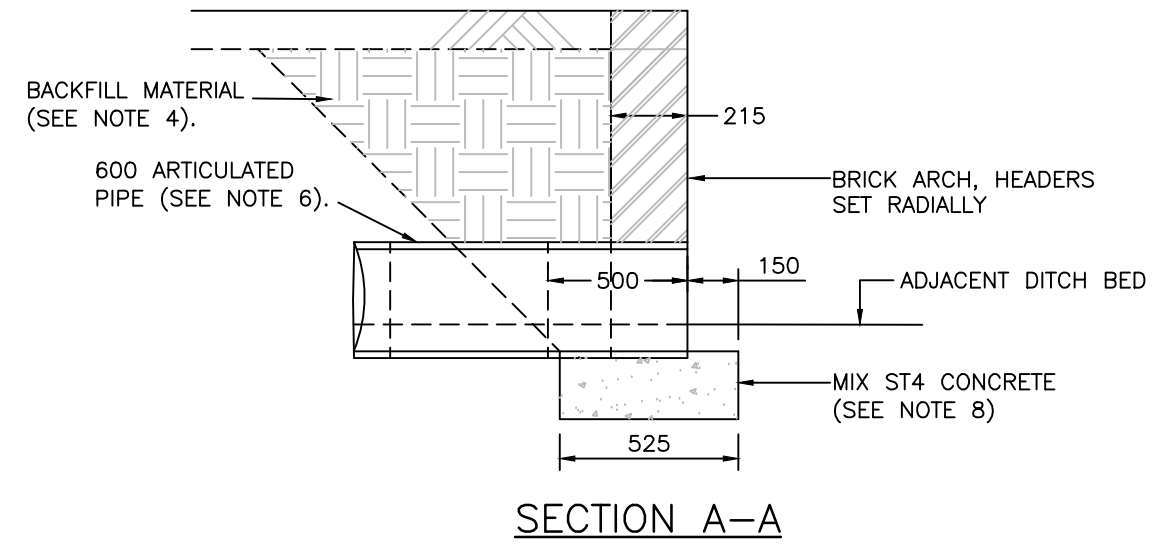


ELEVATION
TYPE 1A (LEVEL TOP)



SECTION A-A

- NOTES:**
1. ALL DIMENSIONS ARE IN MILLIMETRES.
 2. BRICKWORK SHALL BE IN FLEMISH BOND HIGH DENSITY TYPE CLASS B SOLID CLAY ENGINEERING BRICKS TO BS EN 771-1 AND CLAUSE 2406 LAID ON CLASS (i) MORTAR TO CLAUSE 2404.
 3. WALL DIMENSIONS SHALL BE AS STATED IN APPENDIX 5/1.
 4. BACKFILL AROUND HEADWALL SHALL BE GENERAL GRANULAR FILL AS SPECIFIED IN APPENDIX 6/1, OR 6N MATERIAL, COMPACTED IN ACCORDANCE WITH CLAUSE 612.
 5. FOR ANY DITCH PROTECTION ADJACENT TO HEADWALL REFER TO ENGINEERING PLANS.
 6. THE PIPE CONNECTING TO THE HEADWALL SHALL HAVE AN ARTICULATED SECTION ALL AS CLAUSE 507.17.
 7. JOINT FINISH TO EXPOSED BRICKWORK SHALL BE 'BUCKET HANDLE'.
 8. ALL CEMENT USED IN INSITU CONCRETE SHALL BE CII(A OR B)-S OR CIII A OR B TO BS 8500-2, TABLE 1 AND ANNEX A.
 9. FOR DETAILS OF BED AND BACKING TO PIPE, REFER TO APPENDIX 5/1.
 10. MAXIMUM PIPE DIAMETER SHALL BE 300.
 11. DETAILS OF PIPE BED AND BACKING ARE INDICATED IN PIPE SCHEDULES WITHIN APPENDIX 5/1 OR ON THE CONTRACT DRAWINGS.

REV	AMENDMENTS	DATE	CAD	CHKD	APPD

CONSULTANT

STUART JARVIS BSc DipTP FCIHT MRTPI: DIRECTOR OF ECONOMY, TRANSPORT & ENVIRONMENT

SCHEME

STANDARD DETAILS

DRAWING TITLE

**HEADWALL TYPE 1
BRICKWORK
NOT EXCEEDING 1.0m
RETAINED HEIGHT**

HCC CADplot: 24.Mar.2020 at 8:58am					
DRAWN	MC	CHECKED	JPR	SCALE @ A3	N.T.S
CAD	MC	APPROVED	CDP	DATE	March 2020
DRG No.	HCC11/D/085				REVISION

Copyright Hampshire County Council. 2019
All rights, including translation, reserved. No part of this publication may be reproduced, stored in a retrieval system, or transmitted in any form or by any means (electronic, mechanical, photocopied, recorded or otherwise) without the prior written permission of Hampshire County Council. Requests should be directed to the Economy, Transport & Environment Department.

Use only for: L:_Encl Standard AutoCAD Standard Details (Secure) Ac Handed Dec 2011\HCC11 2020 STANDARD DETAILS.DWG (REV. 006.dwg)