

CONSTRUCT MINIMUM OF 2 AND MAXIMUM OF 4 COURSES OF 225 HIGH DENSITY TYPE CLASS B SOLID CLAY ENGINEERING BRICKS TO BS EN 771-1 AND CLAUSE 2406 IN ENGLISH BOND LAID ON CLASS (i) MORTAR TO CLAUSE 2404 (SEE NOTES 5 AND 6).

GRATING AND FRAME SHALL HAVE A 600 x 600 CLEAR OPENING AND SHALL BE AS DESCRIBED IN APPENDIX 5/1. THE FRAME SHALL BE BEDDED ON MINIMUM 15 THICKNESS OF POLYESTER RESIN MORTAR.

GRATING AND FRAME TO SET TO CROSSFALL AND PROFILE OF CARRIAGEWAY OR VERGE 0 TO 6 BELOW FINISHED LEVEL.

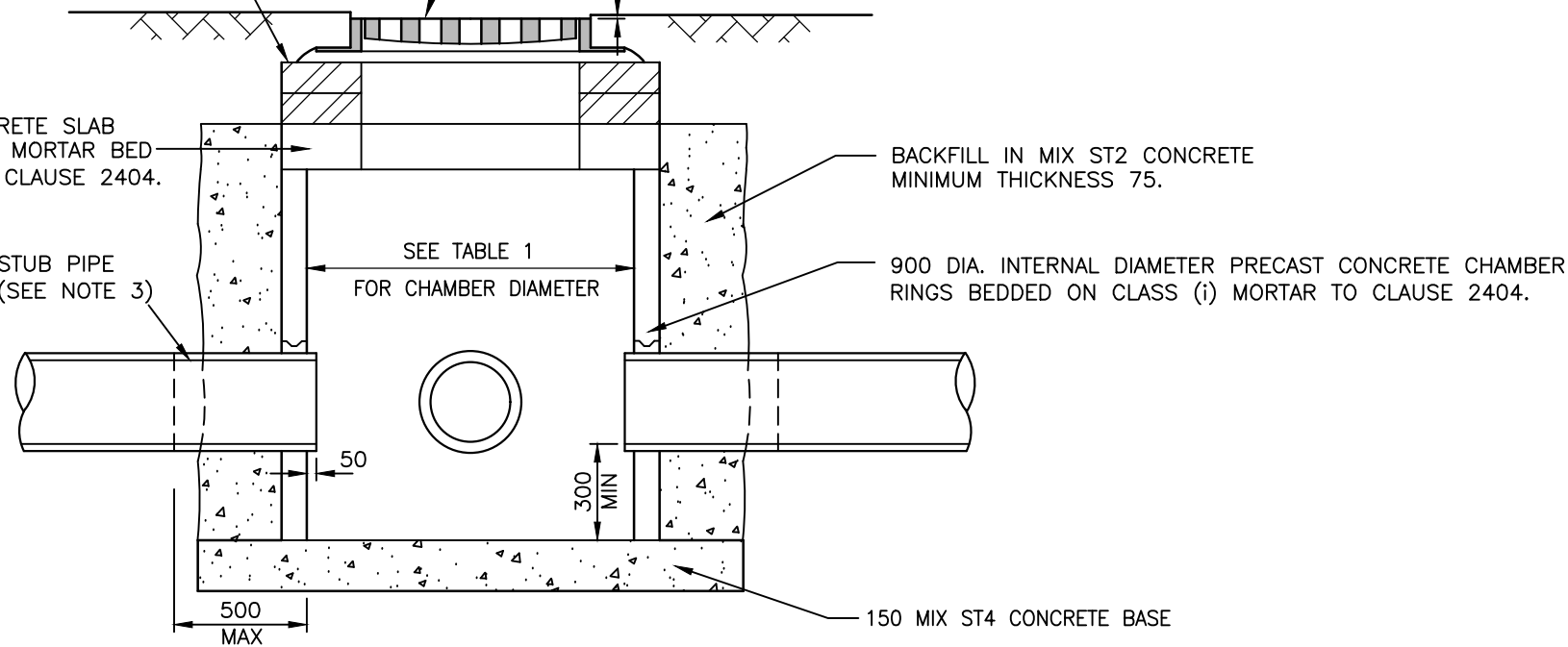
125 PRECAST CONCRETE SLAB BEDDED ON 10 MIN MORTAR BED DESIGNATION (i) TO CLAUSE 2404.

BACKFILL IN MIX ST2 CONCRETE MINIMUM THICKNESS 75.

STUB PIPE (SEE NOTE 3)

SEE TABLE 1 FOR CHAMBER DIAMETER

900 DIA. INTERNAL DIAMETER PRECAST CONCRETE CHAMBER RINGS BEDDED ON CLASS (i) MORTAR TO CLAUSE 2404.



TYPICAL SECTION

TABLE 1

TYPE	LARGEST PIPE DIAMETER.	CHAMBER DIA.
CCG1	150	900
CCG2	150 TO 225	1050
CCG3	300	1200
CCG4	375 TO 450	1500

NOTES:

1. ALL DIMENSIONS ARE IN MILLIMETRES.
2. CHAMBER RINGS AND COVER SLAB TO BS 5911-3 AND BS EN 1917.
3. A STUB PIPE SHALL BE PROVIDED FOR EACH PIPE CONNECTING TO THE CHAMBER OF SUFFICIENT LENGTH TO ENABLE THE NEXT PIPE TO BE JOINTED AND NOT BE RESTRICTED BY CONCRETE BACKFILL.
4. ALL CEMENT USED IN INSITU CONCRETE SHALL BE CII(A OR B)-S OR CIII A OR B TO BS 8500-2, TABLE 1 AND ANNEX A.
5. PROPRIETARY PRECAST CONCRETE ADJUSTING UNITS MAYBE USED IN LIEU OF BRICKWORK. ONLY TWO-PIECE UNITS THAT COMPLY WITH BS EN 1917 AND BS 5911-3 SHALL BE USED.
6. ALL PROPRIETARY PRECAST CONCRETE ADJUSTING UNITS SHALL BE BEDDED ON MINIMUM 15 THICK POLYESTER RESIN MORTAR TO CLAUSE 2601.

REV	AMENDMENTS	DATE	CAD	CHKD	APPD

CONSULTANT



STUART JARVIS BSc DipTP FCILT MRTPI: DIRECTOR OF ECONOMY, TRANSPORT & ENVIRONMENT

SCHEME

**STANDARD DETAILS**

DRAWING TITLE

**COMBINED CATCHPIT/GULLY  
TYPE CCG1 TO CCG4  
- PRECAST CONCRETE**

HCC CADplot: 24.Mar.2020 at 11:09am					
DRAWN	RB	CHECKED	JPR	SCALE @ A3	N.T.S
CAD	RB	APPROVED	CDP	DATE	Jan. 2020
DRG No.	HCC11/D/035				REVISION

Copyright Hampshire County Council. 2019

All rights, including translation, reserved. No part of this publication may be reproduced, stored in a retrieval system, or transmitted in any form or by any means (electronic, mechanical, photocopied, recorded or otherwise) without the prior written permission of Hampshire County Council. Requests should be directed to the Economy, Transport & Environment Department.

Use only for Standard AutoCAD Standard Details (Secure) As Issued on 2011/03/11 09:00 STANDARD DETAILS 035.dwg