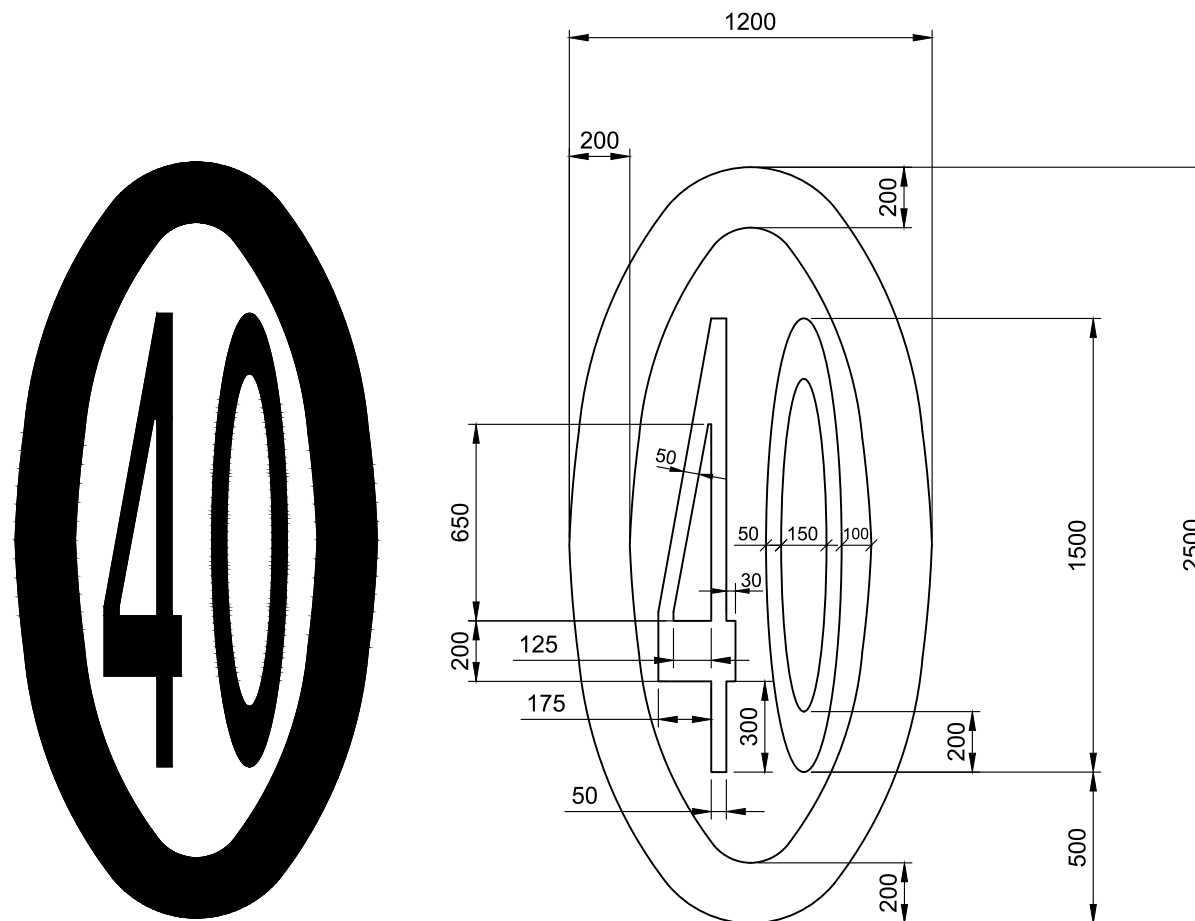


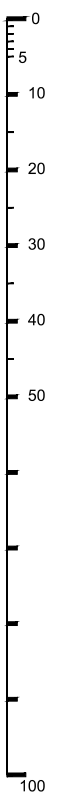
30mph ROUNDEL



40mph ROUNDEL

NOTES

1. ALL DIMENSIONS ARE IN MILLIMETRES UNLESS STATED OTHERWISE.
2. THE COLOUR OF THE 30mph MARKING SHALL BE WHITE.
3. THE COLOUR OF THE 40mph MARKING SHALL BE "PRIMROSE" (BS381C NUMBER 310).
4. THE ROAD MARKINGS SHALL BE CLASS A THERMOPLASTIC MATERIAL, INCORPORATING SYNTHETIC RESINS ONLY, SUPPLIED AND LAID IN ACCORDANCE WITH CL. 1212.



REV	AMENDMENTS	DATE	CAD	CHKD	APPD
A	BRANDING UPDATED	01.07.2022	CLT	KM	

CONSULTANT

Hampshire County Council

Hampshire Engineering Services

STUART JARVIS BSc DipTP FCIHT MRTPI: DIRECTOR OF ECONOMY, TRANSPORT & ENVIRONMENT

SCHEME

STANDARD DETAILS

DRAWING TITLE

NEW FOREST SPEED LIMITS
ROUNDEL ROAD MARKINGS

DESIGNER	WW	CHECKED	JPR JPR	SCALE @ A3	N.T.S
CAD	WW	APPROVED	CDP CDP	DATE	March 2020
DRAWING NUMBER	HCC11/C/190			REV	A

Copyright Hampshire County Council. 2022

All rights, including translation, reserved. No part of this publication may be reproduced, stored in a retrieval system, or transmitted in any form or by any means (electronic, mechanical, photocopied, recorded or otherwise) without the prior written permission of Hampshire County Council. Requests should be directed to the Economy, Transport & Environment Department.