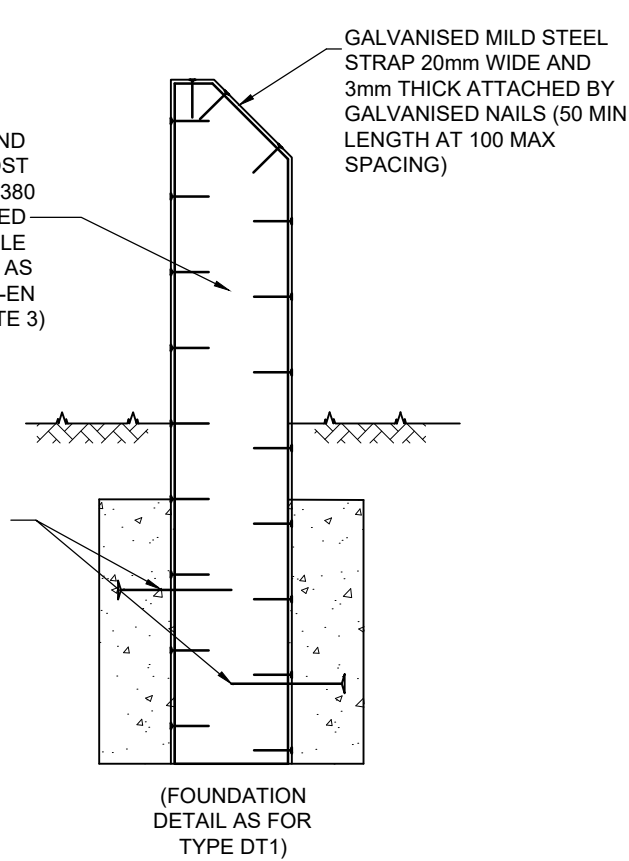
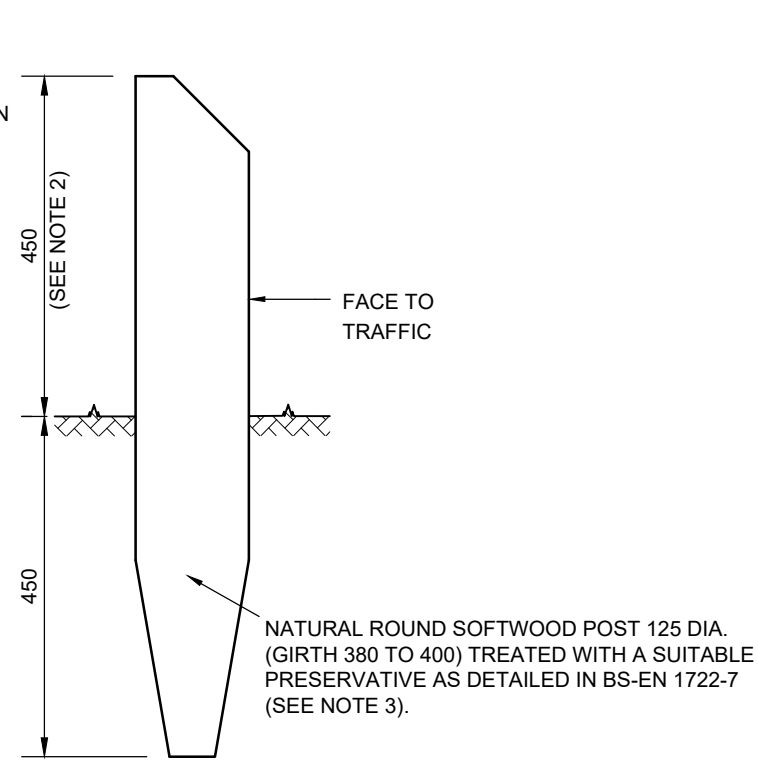


**DRAGON'S TEETH
TYPE DT1
(CONCRETE BASE)**



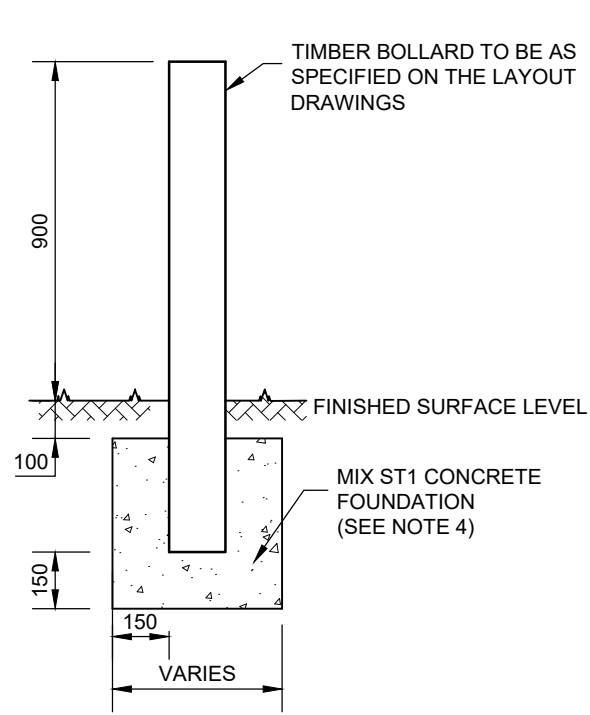
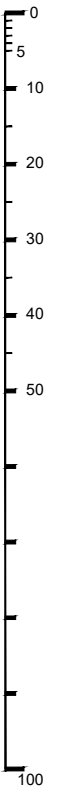
**DRAGON'S TEETH
TYPE DT2
(WITH STEEL STRAPS)**



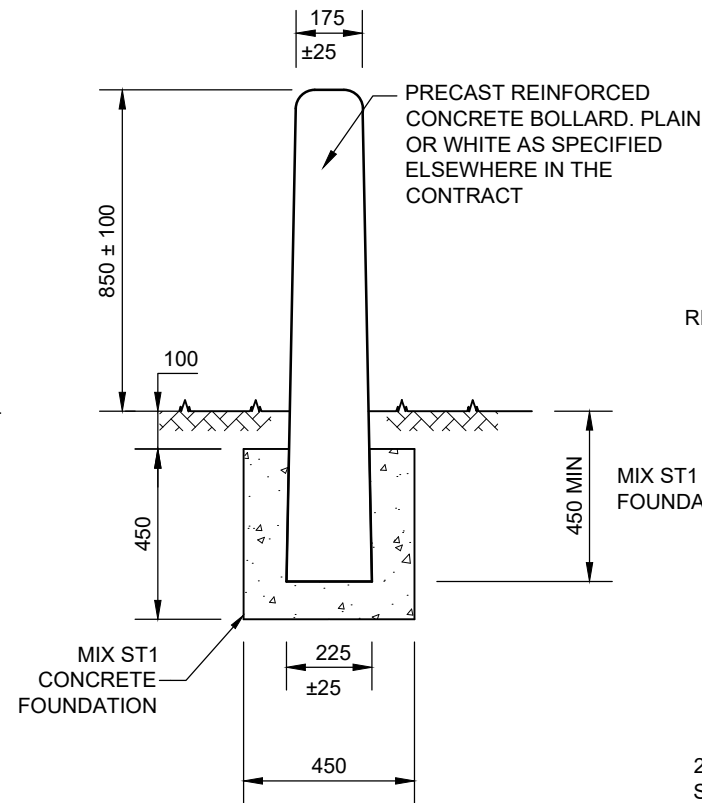
**DRAGON'S TEETH
TYPE DT3
(DRIVEN POST)**

NOTES

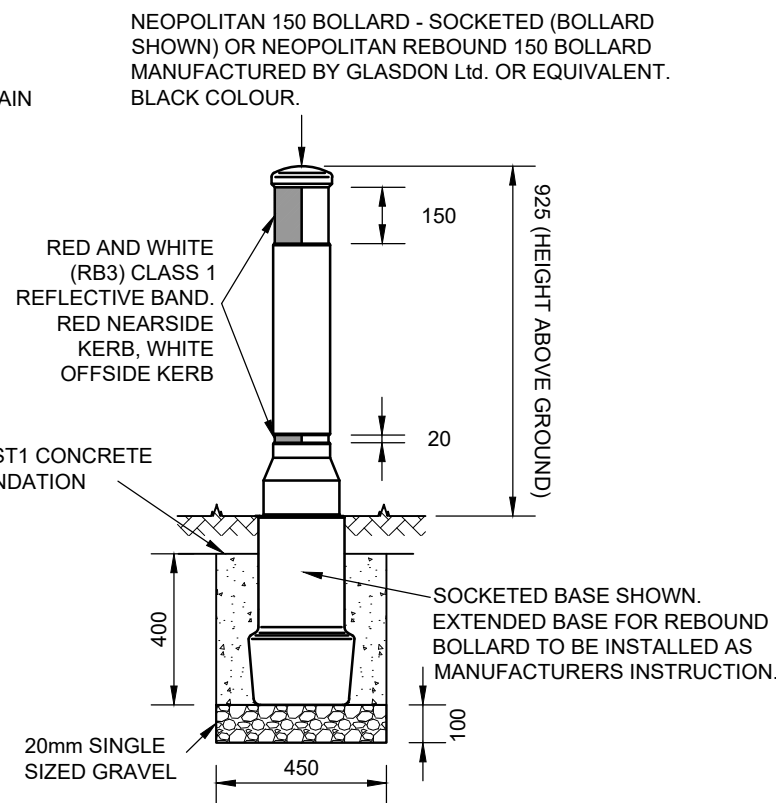
- ALL DIMENSIONS ARE IN MILLIMETRES.
- DRAGON'S TEETH TYPE DT1, DT2 AND DT3:
AS SHOWN.
DRAGON'S TEETH TYPE DT1(L), DT2(L) AND DT3(L):
AS SHOWN EXCEPT THAT THEIR HEIGHT ABOVE GROUND SHALL BE 750 AND THEIR OVERALL LENGTH OF POST SHALL BE 1200.
- ALL TIMBER DRAGON'S TEETH AND BOLLARDS SHALL BE SUPPLIED FROM A SUSTAINABLE SOURCE AND CERTIFICATES SUPPLIED TO THE OVERSEEING ORGANISATION.
- CLEARANCE BETWEEN BOLLARDS AND THE EDGE OF CARRIAGEWAY SHALL BE A MINIMUM OF 500mm.
- WHERE TIMBER BOLLARDS ARE TO BE INSTALLED WITH AN OFFSET TO THE EDGE OF THE CARRIAGEWAY OF BETWEEN 500 TO 1000, A WELL COMPACTED GRANULAR MATERIAL TO CLAUSE 803 SHALL BE USED AS A SUBSTITUTE FOR MIX ST1 CONCRETE WHERE INDICATED ON THE LAYOUT DRAWINGS.



TIMBER BOLLARD FOUNDATION



CONCRETE BOLLARD



PLASTIC BOLLARD

B	COPYRIGHT AMENDED AND NEW DIRECTORATE DETAILED. NOTES 4 & 5 AMENDED.	09.02.2023	AM	KM	
A	BRANDING UPDATED	27.06.2022	CLT	KM	MC
REV	AMENDMENTS	DATE	CAD	CHKD	APPD

CONSULTANT




TIM LAWTON BEng CEng FICE FCIHT : ASSISTANT DIRECTOR OF UNIVERSAL SERVICES

SCHEME

STANDARD DETAILS

DRAWING TITLE

WOODEN DRAGON'S TEETH AND BOLLARDS

DESIGNER	CHECKED	SCALE @ A3
RB	JPR JPR	N.T.S
CAD	APPROVED	DATE
RB	CDP CDP	March 2020
DRAWING NUMBER	REV	
HCC11/C/135	B	

Copyright Hampshire County Council.

All rights, including translation, reserved. No part of this publication may be reproduced, stored in a retrieval system, or transmitted in any form or by any means (electronic, mechanical, photocopied, recorded or otherwise) without the prior written permission of Hampshire County Council. Requests should be directed to Hampshire Engineering Services.