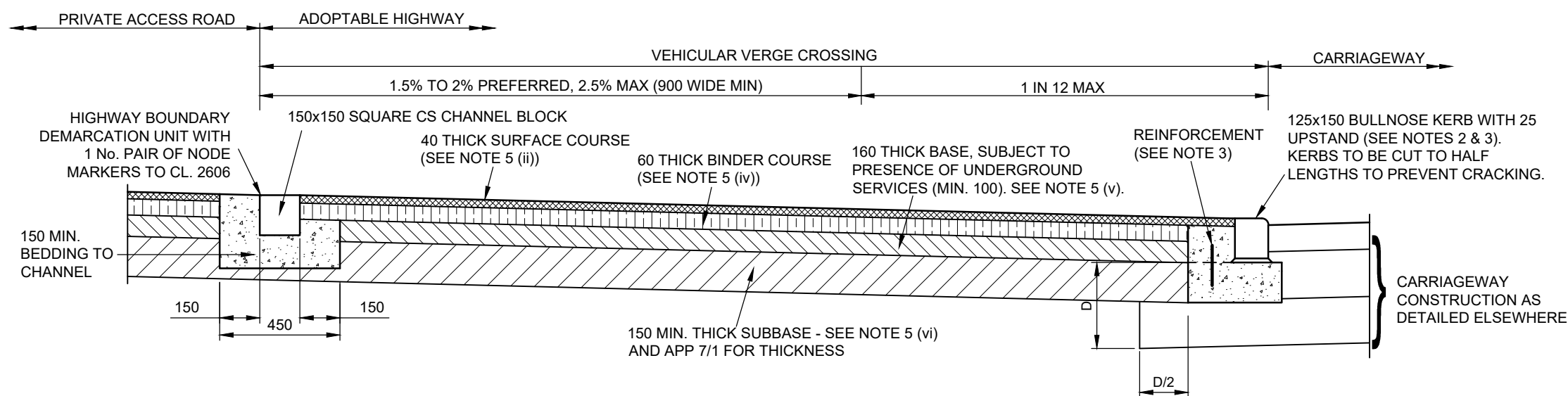


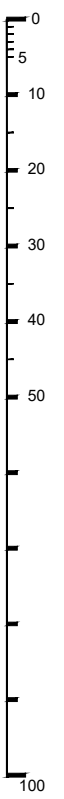
SECTION A-A (FOOTWAY TYPE 5 AND VERGE DETAIL)



SECTION B-B (VEHICULAR VERGE CROSSING DETAIL)

NOTES

1. ALL DIMENSIONS ARE IN MILLIMETRES.
2. EXCEPT WHERE NOTED OTHERWISE, KERBS AND EDGINGS SHALL BE IN ACCORDANCE WITH CL.1101.
3. BED AND BACKING TO KERBS AND CHANNELS SHALL BE IN MIX ST4 CONCRETE, FULLY COMPACTED. 150 LONG 10mm DIA. STEEL REINFORCEMENT BARS AT MAX. 300 CENTRES SHALL BE CENTRALLY PLACED IN BACKING.
4. BED AND BACKING TO EDGINGS SHALL BE IN MIX ST1 CONCRETE.
5. UNLESS OTHERWISE STATED IN APPENDIX 11/1 FOOTWAY CONSTRUCTION MATERIALS SHALL BE AS FOLLOWS:
 - (i) SURFACE COURSE:- DENSE ASPHALT CONCRETE AC6 DENSE SURF 100/150 PSV 45 TO BS EN 13108.1.
 - (ii) SURFACE COURSE:- HIGH STONE CONTENT HRA 55/10 F SURF 40/60 PSV 55 TO BS EN 13108-4.
 - (iii) BINDER COURSE:- CRBM TO CL. 948, OR WITH OVERSEEING ORGANISATION APPROVAL, DENSE ASPHALT CONCRETE AC20 DENSE BIN 100/150 TO BS EN 13108-1.
 - (iv) BINDER COURSE:- CRBM TO CL. 948, OR WITH OVERSEEING ORGANISATION APPROVAL, DENSE ASPHALT CONCRETE AC20 DENSE BIN 40/60 TO BS EN 13108-1.
 - (v) BASE:- CRBM TO CL. 948, OR WITH OVERSEEING ORGANISATION APPROVAL, DENSE ASPHALT CONCRETE AC32 DENSE BASE 40/60 TO BS EN 13108-1.
 - (vi) SUBBASE:- TO CL. 803, OR WITH OVERSEEING ORGANISATION APPROVAL, TO CL. 807, CL. 821 OR CL. 822. AS SPECIFIED IN THE WORKS INFORMATION, SUBJECT TO A MINIMUM SUBGRADE STRENGTH OF 30 MPa.
6. CRBM TO CL. 948 SHALL BE QVE, B4 WITH REFERENCE TO BS 9228.
7. CBGM TO CL. 821 OR CL. 822 SHALL BE C5/6 WITH REFERENCE TO BS 9227.
8. TREATMENT OF LAYERS AND VERTICAL JOINTS SHALL BE IN ACCORDANCE WITH CL 903.



C	SUBBASE AND CAPPING NOTE ADDED	03.08.2023	CB	KM	MC
B	COPYRIGHT AMENDED AND NEW DIRECTORATE DETAILED	09.02.2023	AM	KM	MC
A	CL 894R DELETED, CL 821, CL 822 AND CL 948 ADDED, CROSSFALL AND NOTES AMENDED AND BRANDING UPDATED	27.06.2022	CLT	KM	MC
REV	AMENDMENTS	DATE	CAD	CHKD	APPD

CONSULTANT

TIM LAWTON BEng CEng FICE FCIHT : ASSISTANT DIRECTOR OF UNIVERSAL SERVICES

STANDARD DETAILS

KERB, FOOTWAY AND VEHICULAR VERGE CROSSING DETAILS FOR COMMERCIAL AND INDUSTRIAL AREAS

DESIGNER	MC	CHECKED	JPR JPR	SCALE @ A3	N.T.S
CAD	CP	APPROVED	CDP CDP	DATE	March 2020
DRAWING NUMBER	HCC11/C/130			REV	C

Copyright Hampshire County Council.
All rights, including translation, reserved. No part of this publication may be reproduced, stored in a retrieval system, or transmitted in any form or by any means (electronic, mechanical, photocopied, recorded or otherwise) without the prior written permission of Hampshire County Council. Requests should be directed to Hampshire Engineering Services.

WITH RESPECT TO SUBBASE AND CAPPING MATERIALS, REFER TO <https://documents.hants.gov.uk/transport/requirementsforaggregatescontainingIBAA.pdf>