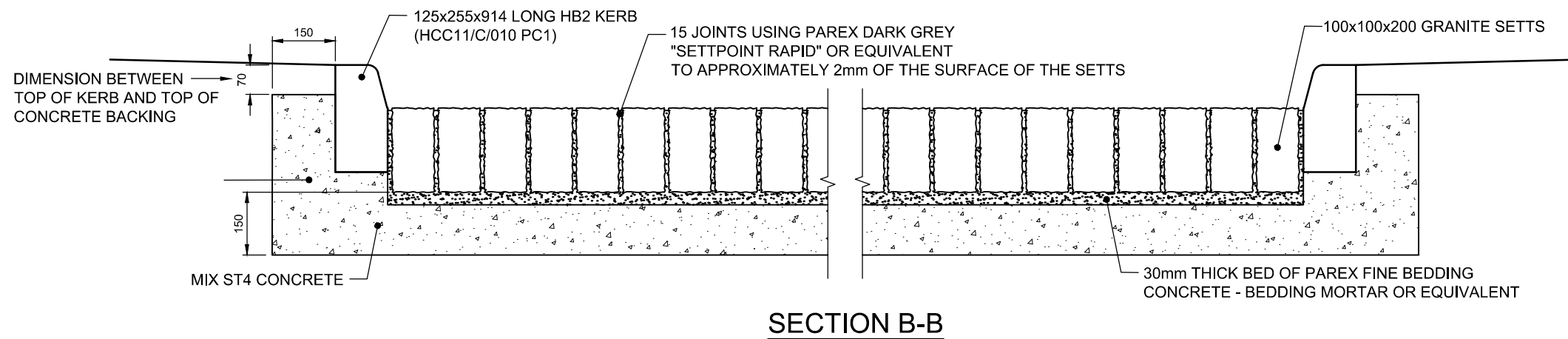
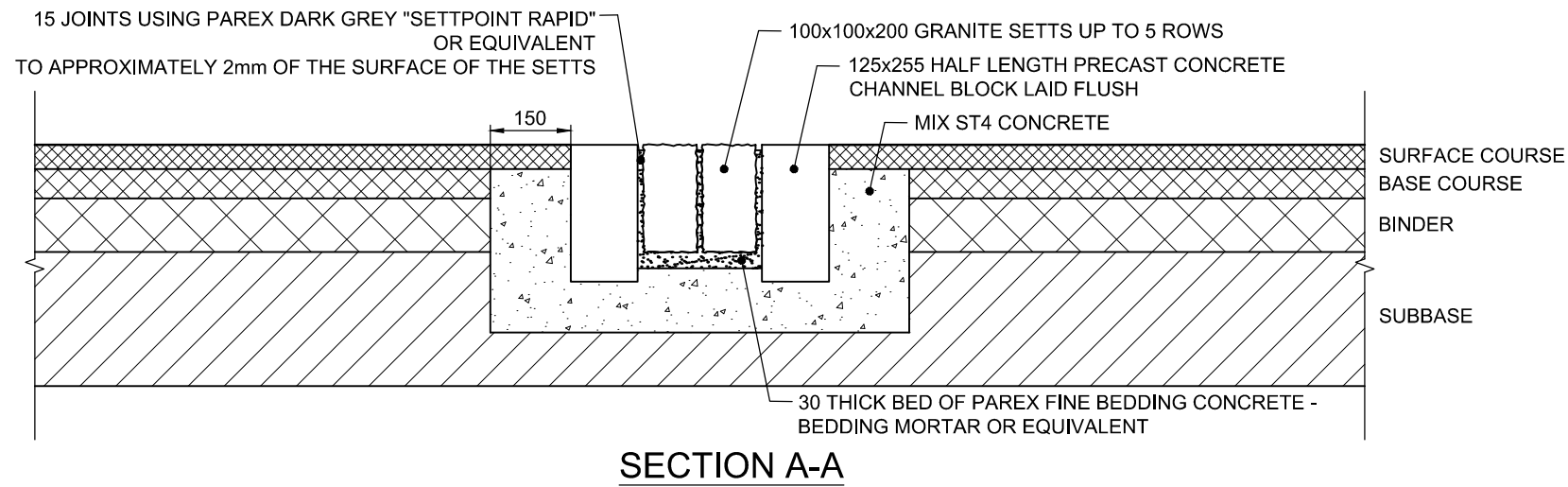
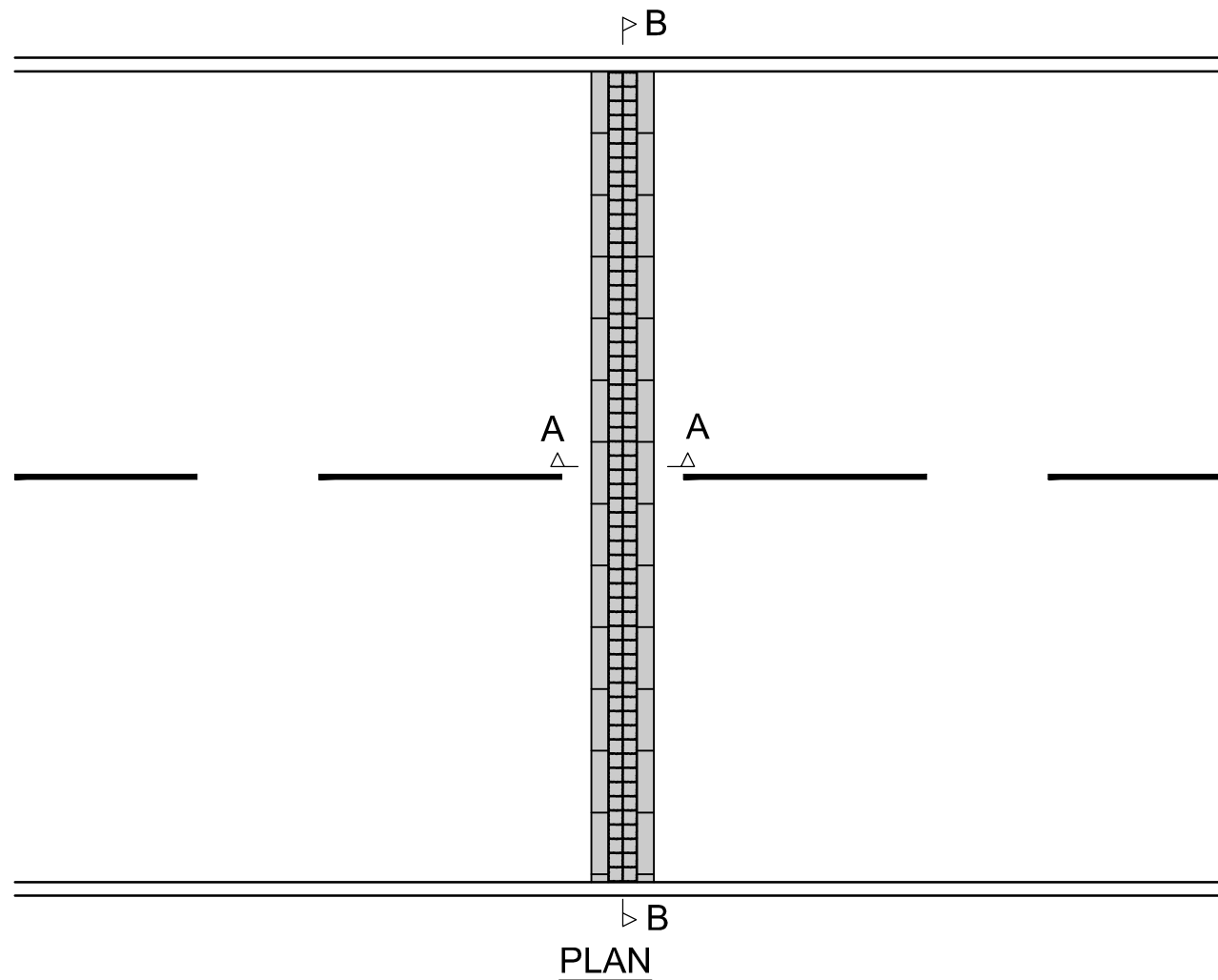


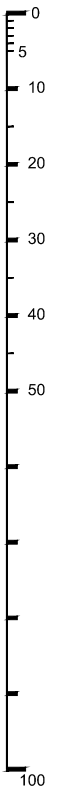
Copyright Hampshire County Council. 2022

All rights, including translation, reserved. No part of this publication may be reproduced, stored in a retrieval system, or transmitted in any form or by any means (electronic, mechanical, photocopied, recorded or otherwise) without the prior written permission of Hampshire County Council. Requests should be directed to the Economy, Transport & Environment Department.



NOTES

1. DO NOT SCALE FROM THIS DRAWING
2. ALL DIMENSIONS IN MILLIMETRES UNLESS OTHERWISE STATED



REV	AMENDMENTS	DATE	CAD	CHKD	APPD

CONSULTANT



STUART JARVIS BSc DipTP FCIHT MRTPI: DIRECTOR OF ECONOMY, TRANSPORT & ENVIRONMENT

SCHEME

STANDARD DETAILS

DRAWING TITLE

GRANITE SETT CARRIAGEWAY STRIP

DESIGNER KM	CHECKED RT <i>RT</i>	SCALE @ A3 N.T.S
CAD RH	APPROVED MC <i>MC</i>	DATE June 2022
DRAWING NUMBER HCC11/C/126		REV