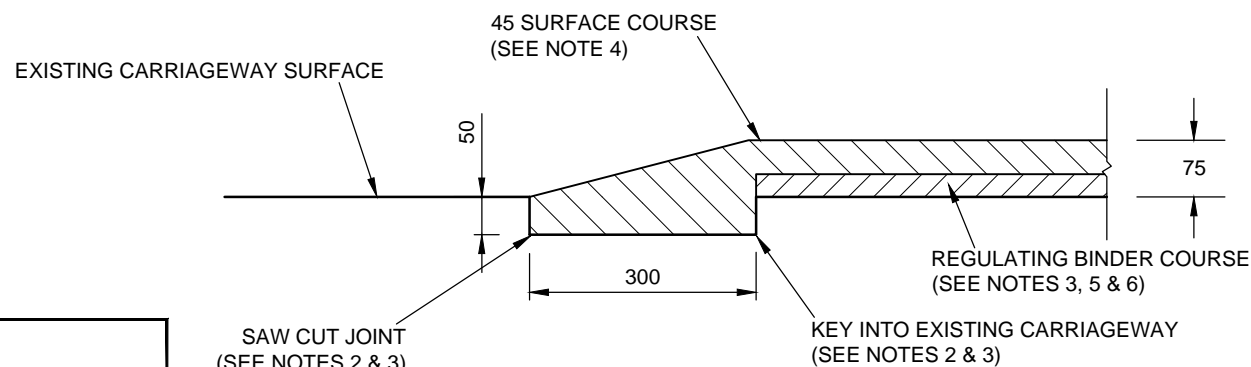


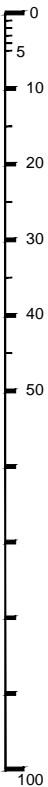
FOR TREATMENT OF SURFACES, REFER TO NOTE 3
SECTION A - A



FOR TREATMENT OF SURFACES, REFER TO NOTE 3
SECTION B - B

NOTES

1. ALL DIMENSIONS ARE IN MILLIMETRES.
2. CUT KEY INTO EXISTING SURFACE WITH SAW CUT EDGES, 300 WIDE x 50 DEEP.
3. TREATMENT OF BITUMINOUS SURFACES AND VERTICAL JOINTS SHALL BE IN ACCORDANCE WITH CL 903.
4. SURFACE COURSE TO CUSHION SHALL BE HRA 55/10 F SURF 40/60, PSV 60, TO BS EN 13108-4. MAXIMUM AAV 14.
5. REGULATING BINDER COURSE SHALL BE SMA 10 REG 40/60 TO BS EN 13108-5 AND SHALL BE LAID ACCORDING TO BS 594987.
6. REGULATING BINDER COURSE AND SURFACE COURSE SHALL BE OVERLAID BY A SUFFICIENT THICKNESS TO ENABLE FULL COMPACTION OF EACH LAYER OF MATERIAL TO BE ACHIEVED.
7. SOLID TRIANGLE MARKINGS SHALL BE TO DIAG 1062 OF THE TRAFFIC SIGNS REGULATIONS AND GENERAL DIRECTIONS. BOTH THE TRIANGLE AND THE 100 WIDE SOLID LINE TO THE PERIMETER OF THE CUSHION SHALL BE IN WHITE THERMOPLASTIC MATERIAL IN ACCORDANCE WITH APPENDIX 12/3 AND CLAUSE 1212.
8. FOR CUSHION TYPE AND LOCATION, SEE LAYOUT DRAWINGS.



B	COPYRIGHT AMENDED AND NEW DIRECTORATE DETAILED	09.02.2023	AM	KM	MC
A	BRANDING UPDATED	23.06.2022	CLT	KM	MC
REV	AMENDMENTS	DATE	CAD	CHKD	APPD

CONSULTANT




TIM LAWTON BEng CEng FICE FCIHT : ASSISTANT DIRECTOR OF UNIVERSAL SERVICES

SCHEME

STANDARD DETAILS

DRAWING TITLE

**SPEED CUSHIONS
TYPE 1A AND 1B**

DESIGNER	CHECKED	SCALE @ A3
MC	JPR JPR	N.T.S
CAD	APPROVED	DATE
MC	CDP CDP	March 2020
DRAWING NUMBER	REV	
HCC11/C/125	B	

Copyright Hampshire County Council.

All rights, including translation, reserved. No part of this publication may be reproduced, stored in a retrieval system, or transmitted in any form or by any means (electronic, mechanical, photocopied, recorded or otherwise) without the prior written permission of Hampshire County Council. Requests should be directed to Hampshire Engineering Services.