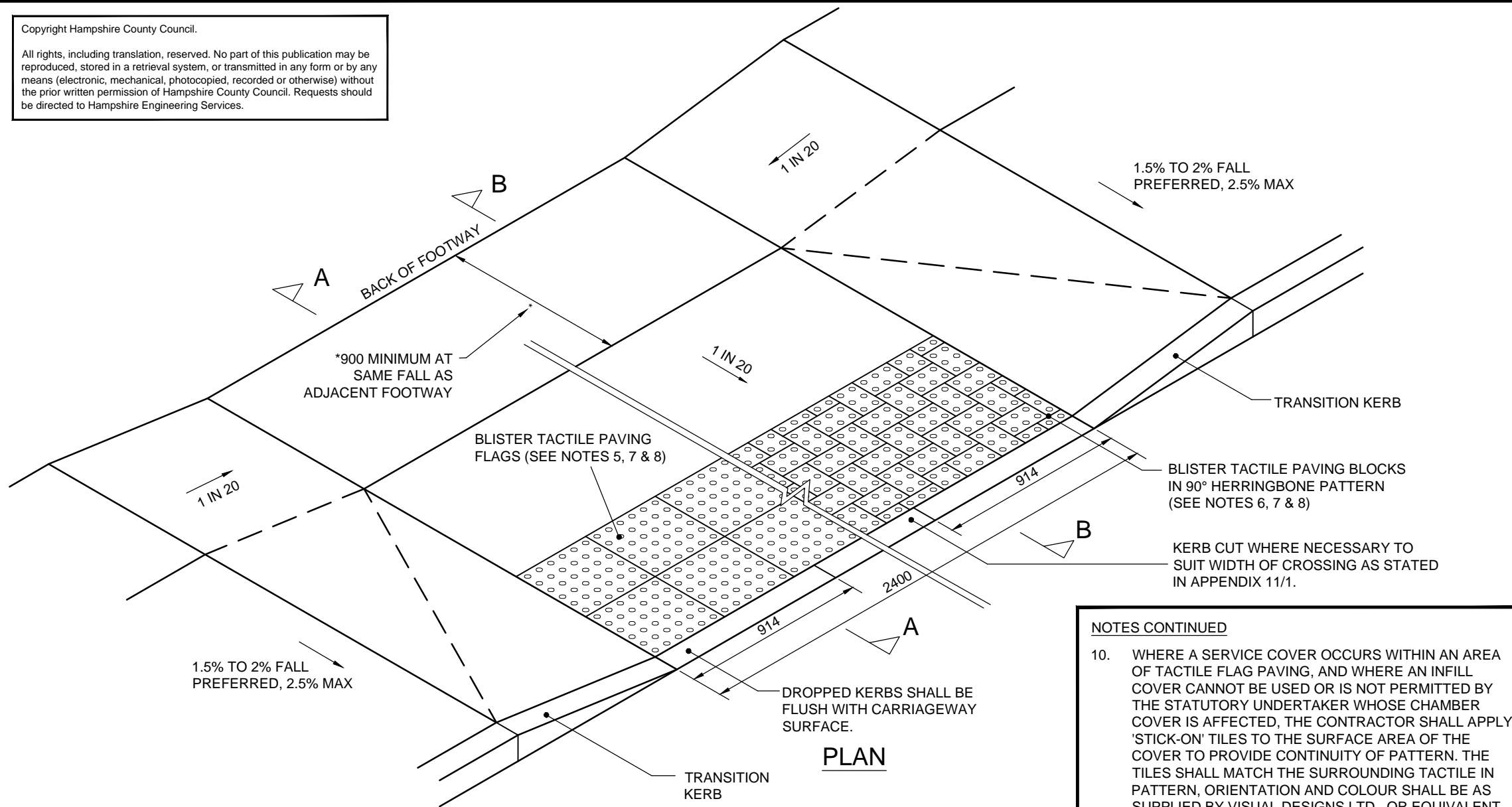


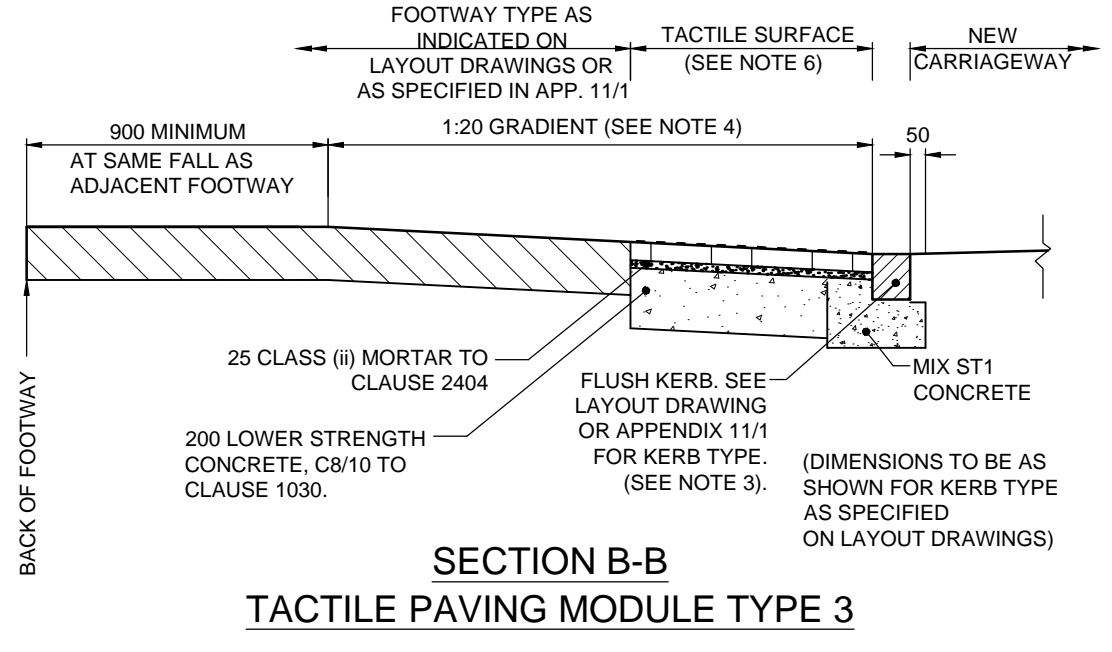
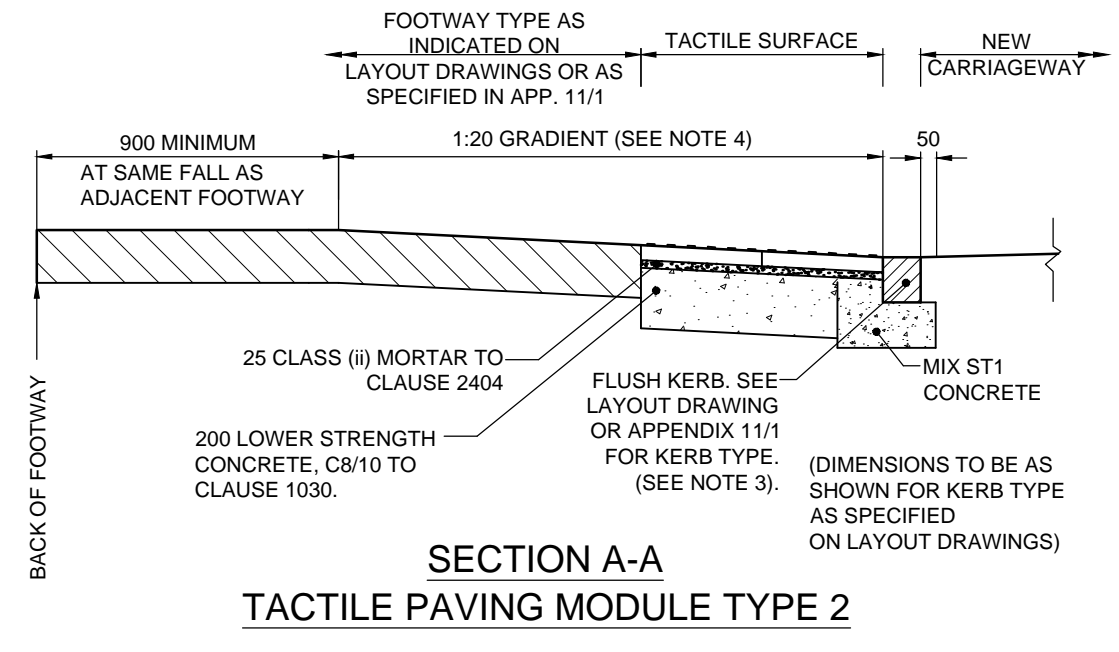
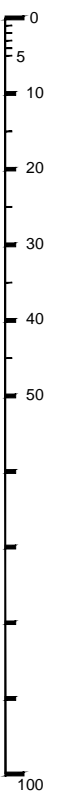
Copyright Hampshire County Council.
 All rights, including translation, reserved. No part of this publication may be reproduced, stored in a retrieval system, or transmitted in any form or by any means (electronic, mechanical, photocopied, recorded or otherwise) without the prior written permission of Hampshire County Council. Requests should be directed to Hampshire Engineering Services.



NOTES CONTINUED

10. WHERE A SERVICE COVER OCCURS WITHIN AN AREA OF TACTILE FLAG PAVING, AND WHERE AN INFILL COVER CANNOT BE USED OR IS NOT PERMITTED BY THE STATUTORY UNDERTAKER WHOSE CHAMBER COVER IS AFFECTED, THE CONTRACTOR SHALL APPLY 'STICK-ON' TILES TO THE SURFACE AREA OF THE COVER TO PROVIDE CONTINUITY OF PATTERN. THE TILES SHALL MATCH THE SURROUNDING TACTILE IN PATTERN, ORIENTATION AND COLOUR SHALL BE AS SUPPLIED BY VISUAL DESIGNS LTD., OR EQUIVALENT. THEY SHALL BE INSTALLED IN ACCORDANCE WITH MANUFACTURER'S INSTRUCTIONS AND ONLY WITH THE PERMISSION OF THE RELEVANT STATUTORY UNDERTAKER.

- NOTES**
- ALL DIMENSIONS ARE IN MILLIMETRES.
 - UNLESS OTHERWISE STATED IN APPENDIX 11/1, THE WIDTH OF THE DROPPED CROSSING SHALL BE 2400 AS SHOWN ON THIS DETAIL.
 - AS DESCRIBED IN CLAUSE 1101, SUB-CLAUSE 1, KERBS MAY BE LAID AND BEDDED ON MORTAR IN ACCORDANCE WITH CLAUSE 2601 OR LAID DIRECTLY ONTO THE CONCRETE BED. THE TYPE OF MORTAR SHALL BE APPROVED BY THE OVERSEEING ORGANISATION.
 - THE GRADIENT OF THE DROPPED CROSSING SHALL BE 1 IN 20, BUT THE OVERSEEING ORGANISATION WILL DETERMINE THE PRECISE GRADIENT ON SITE PRIOR TO CONSTRUCTION.
 - UNLESS STATED ON LAYOUT DRAWING OR IN APPENDIX 11/1, TACTILE PAVING SHALL BE BUTT JOINTED BLISTER TACTILE FLAGS MODULE TYPE 2, 400 x 400 x 50 THICK MANUFACTURED TO BS EN 1339 AND DD CEN/TS 15209:2008.
 - AT LOCATIONS WHERE THE TACTILE PAVING MAY BE OVERRIDDEN BY HEAVY VEHICLES AND WHERE INDICATED ON THE LAYOUT DRAWINGS OR IN APPENDIX 11/1, MODULE TYPE 3, 200 x 133 x 60 THICK BUTT JOINTED CONCRETE TACTILE PAVING BLOCKS TO BS EN 1338 AND DD CEN/TS 15209:2008 SHALL BE USED, LAID IN 90° HERRINGBONE PATTERN TO THE OVERALL DIMENSIONS SHOWN. CUT BLOCKS SHALL NOT BE LAID IF LESS THAN 1/3 OF A FULL BLOCK.
 - ONLY ONE MODULE TYPE SHALL BE USED BOTH SIDES OF EACH PEDESTRIAN CROSSING.
 - UNLESS OTHERWISE STATED IN APPENDIX 11/1, BLISTER TACTILE UNITS SHALL BE BUFF COLOURED.
 - NOTWITHSTANDING SUB-CLAUSE 5 OF CLAUSE 1101, THE SURFACE LEVEL OF THE DROPPED KERBS AND AT LEAST 5 FULL HEIGHT KERBS EITHER SIDE SHALL NOT DEVIATE FROM THE DESIGN LEVEL.



| | | | | | |
|-----|--|------------|-----|------|------|
| B | COPYRIGHT AMENDED AND NEW DIRECTORATE DETAILED | 09.02.2023 | AM | KM | |
| A | BACK OF FOOTWAY ADDED, CROSSFALLS AMENDED AND BRANDING UPDATED | 21.06.2022 | CLT | KM | MC |
| REV | AMENDMENTS | DATE | CAD | CHKD | APPD |

CONSULTANT

TIM LAWTON BEng CEng FICE FCIHT : ASSISTANT DIRECTOR OF UNIVERSAL SERVICES

SCHEME

STANDARD DETAILS

DRAWING TITLE

UNCONTROLLED PEDESTRIAN CROSSING IN NEW WORKS

| | | |
|----------------|-----------|------------|
| DESIGNER | CHECKED | SCALE @ A3 |
| MC | JPR JPR | N.T.S |
| CAD | APPROVED | DATE |
| MC | CDP CDP | March 2020 |
| DRAWING NUMBER | REV | |
| HCC11/C/060 | B | |