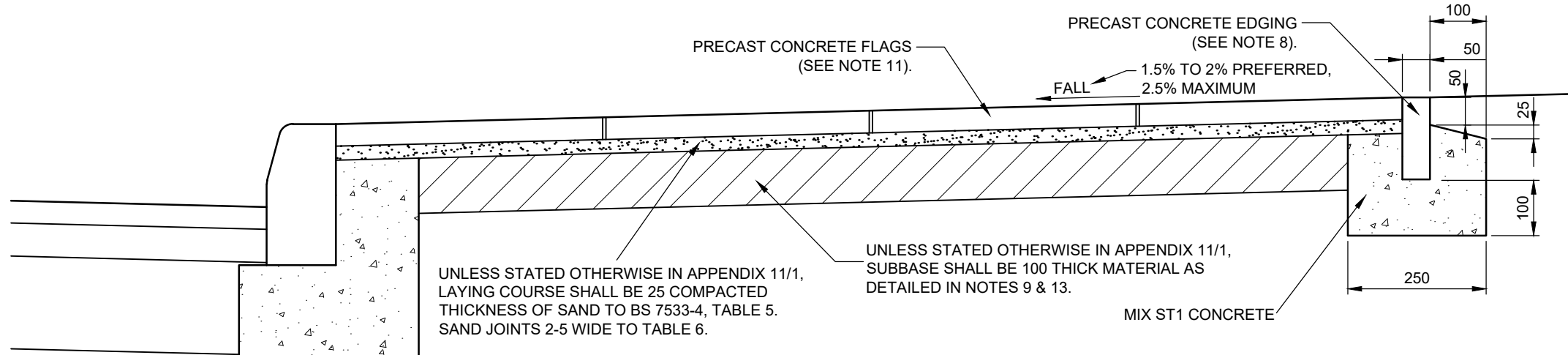
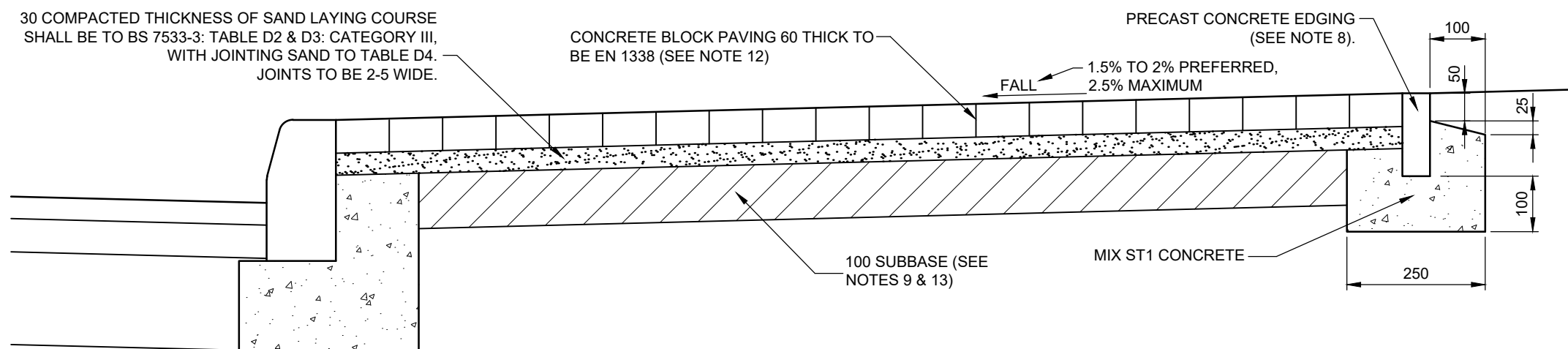


FOOTWAY TYPE 1A
STANDARD HCC FLEXIBLE CONSTRUCTION

FOOTWAY TYPE 1B
ALTERNATIVE FLEXIBLE CONSTRUCTION
(WHERE APPROVED ONLY)



FOOTWAY TYPE 2 - PRECAST CONCRETE FLAGS



FOOTWAY TYPE 3 - CONCRETE BLOCK PAVING

NOTES

- ALL DIMENSIONS ARE IN MILLIMETRES.
- ALSO REFER TO APPENDIX 11/1.
- WHEN EXCAVATING TO FOOTWAY FORMATION LEVEL, THE FULL DEPTH OF EXISTING MATERIAL, INCLUDING TOPSOIL, SHALL BE REMOVED. ANY ADDITIONAL DEPTH OF EXCAVATION RESULTING FROM THIS SHALL BE BACKFILLED WITH SUBBASE AS NOTE 4.
- WHERE THE FOOTWAY IS LIKELY TO BE OVER-RIDDEN BY VEHICLES ON A REGULAR BASIS, FOOTWAY TYPES 5, 6A OR 6B SHALL BE USED (SEE HCC11/C/055).
- WHERE DETAILED IN APPENDIX 11/1, A GEOTEXTILE OR ROOT BARRIER SHALL BE INSTALLED AT FOOTWAY FORMATION LEVEL.
- WHERE THERE IS A RISK OF FORMATION SHRINKAGE / MOVEMENT FOLLOWING CONSTRUCTION, A SCHEME SPECIFIC DETAIL SHALL BE AGREED WITH THE OVERSEEING ORGANISATION. REFER TO THE NOTES FOR GUIDANCE.
- KERB TYPE SHALL BE AS SPECIFIED ON LAYOUT DRAWINGS.
- PRECAST CONCRETE EDGINGS SHALL BE 150 x 50 TYPE EF TO BS EN 1340.
WEATHERING RESISTANCE: CLASS 3
BENDING STRENGTH: CLASS 2
ABRASION RESISTANCE: CLASS 3
SLIP/SKID RESISTANCE: MIN PPTV 45 TO BS 7932.
- SUBBASE SHALL BE ONE OF THE MATERIALS COMPLYING WITH CL. 803, CL. 807, CL. 821 OR CL. 822, OR WHERE PERMITTED, CL. 893AR, AS SPECIFIED IN THE WORKS INFORMATION.
- FOOTWAY TYPE 1A AND 1B SHALL BE IN ACCORDANCE WITH CL. 1105. TREATMENT OF LAYERS AND JOINTS TO BE IN ACCORDANCE WITH CL. 903.36 AND CL. 903.37.
- FOOTWAY TYPE 2 SHALL BE IN ACCORDANCE WITH CL. 1104 AND FLAGS TO BS EN 1339:
TENSILE SPLITTING STRENGTH: MIN. 3.6(Mpa)
WEATHERING RESISTANCE: CLASS 3
SLIP/SKID RESISTANCE: MIN PPTV 45 TO BS 7932 UNLESS STATED OTHERWISE IN APPENDIX 11/1.
- FOOTWAY TYPE 3 SHALL BE IN ACCORDANCE WITH CL. 1107 AND BLOCKS TO BS EN 1338:
BENDING TENSILE STRENGTH: CLASS 3
WEATHERING RESISTANCE: CLASS 3
SLIP/SKID RESISTANCE: MIN PPTV 45 TO BS 7932 UNLESS STATED OTHERWISE IN APPENDIX 11/1.
- CBGM SHALL BE C5/6 TO CL. 821 OR CL. 822, WITH REFERENCE TO BS 9227.

B	COPYRIGHT AMENDED AND NEW DIRECTORATE DETAILED, NOTES 11 AND 12 AMENDED.	09.02.2023	AM	JM	
A	TYPE 1A, 1B DETAILS AND CROSSFALL AMENDED, NOTES ADDED AND AMENDED AND BRANDING UPDATED	20.06.2022	CLT	KM	MC
REV	AMENDMENTS	DATE	CAD	CHKD	APPD

CONSULTANT




TIM LAWTON BEng CEng FICE FCIHT : ASSISTANT DIRECTOR OF UNIVERSAL SERVICES

SCHEME

STANDARD DETAILS

DRAWING TITLE

**FOOTWAYS
TYPES 1A, 1B, 2 AND 3**

DESIGNER	CHECKED	SCALE @ A3
MC	JPR JPR	N.T.S
CAD	APPROVED	DATE
MC	CDP CDP	March 2020
DRAWING NUMBER	REV	
HCC11/C/045	B	

Copyright Hampshire County Council.

All rights, including translation, reserved. No part of this publication may be reproduced, stored in a retrieval system, or transmitted in any form or by any means (electronic, mechanical, photocopied, recorded or otherwise) without the prior written permission of Hampshire County Council. Requests should be directed to Hampshire Engineering Services.

