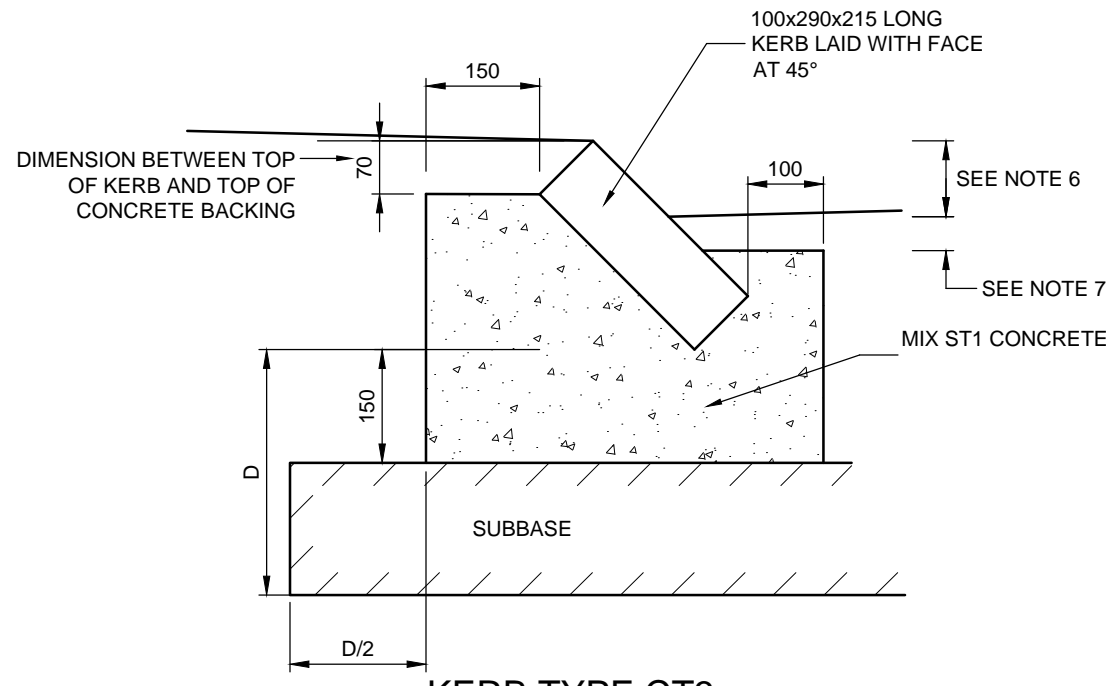
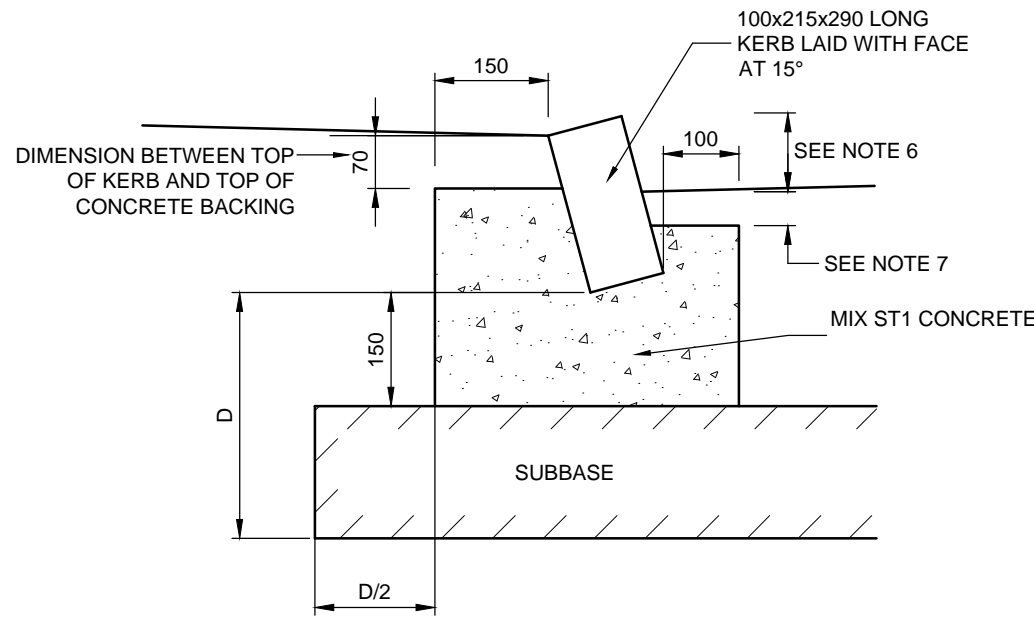


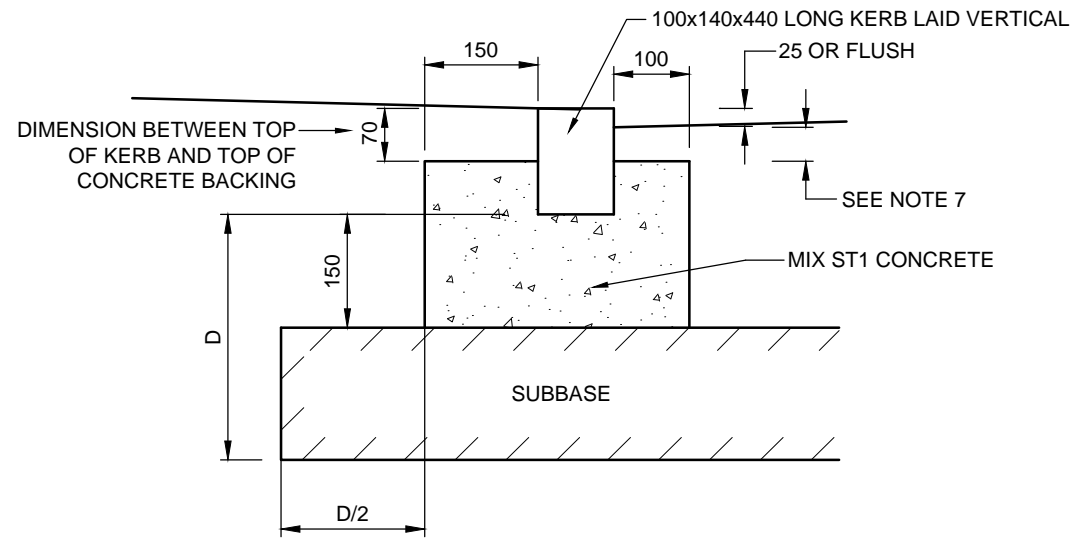
**KERB TYPE CT1**



**KERB TYPE CT3**

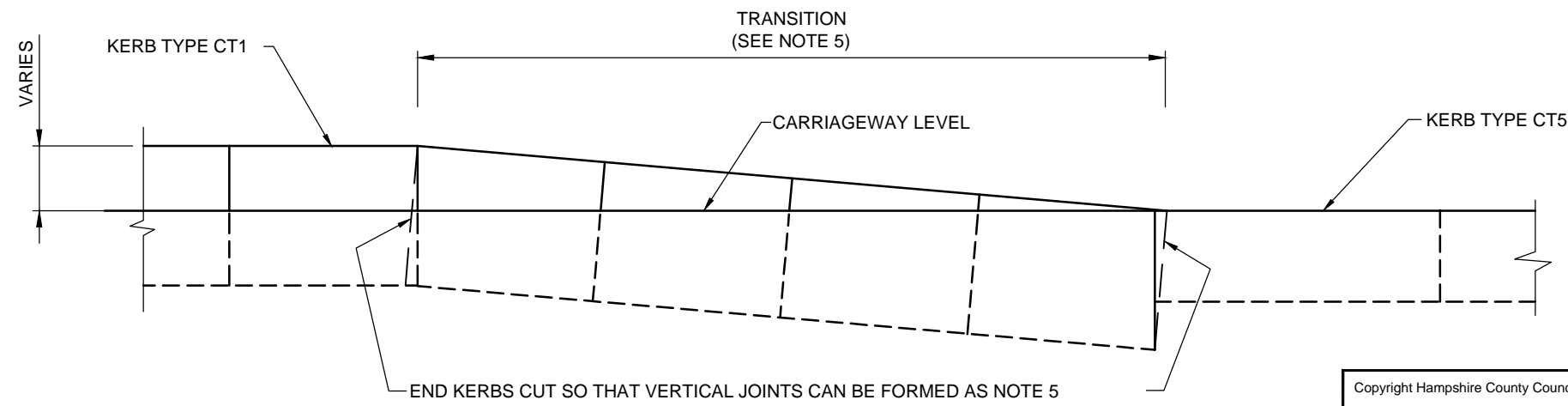


**KERB TYPE CT2**



**KERB TYPE CT4 (25 UPSTAND)**

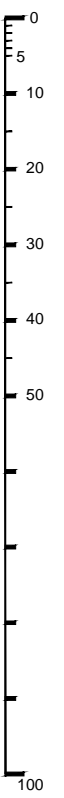
**KERB TYPE CT5 (FLUSH)**



**DETAIL A - ELEVATION ON KERBS ONLY**  
(CONCRETE BEDDING NOT SHOWN FOR CLARITY)

**NOTES**

1. ALL DIMENSIONS ARE IN MILLIMETRES.
2. KERBS SHALL BE CHARCON SILVER GREY 'K-LITE TRADITIONAL' KERB OR AS APPROVED BY THE OVERSEEING ORGANISATION.
3. MIX ST1 CONCRETE KERB BEDDING SHALL BE LAID ON SUBBASE AND SHALL BE A MINIMUM THICKNESS OF 150. SUBBASE SHALL BE EXCAVATED WHERE NECESSARY TO ACHIEVE 150 THICKNESS OF CONCRETE. RECOMPACT DISTURBED SUBBASE PRIOR TO CONSTRUCTION OF KERB BASE.
4. AS DESCRIBED IN CLAUSE 1101, SUB-CLAUSE 1, KERBS SHALL BE LAID ON MORTAR IN ACCORDANCE WITH CLAUSE 2601 OR LAID DIRECTLY ONTO THE CONCRETE BED. THE TYPE OF MORTAR SHALL BE APPROVED BY THE OVERSEEING ORGANISATION.
5. TERMINATIONS AND TRANSITIONS BETWEEN KERB TYPES SHALL BE OVER FOUR KERB LENGTHS WITH THE END KERBS CUT TO OBTAIN VERTICAL JOINTS AS SHOWN IN DETAIL A.
6. THE KERB UPSTAND FOR TYPES CT1 AND CT2 SHALL BE 100 UNLESS OTHERWISE STATED, EXCEPT OVER BRIDGES WHERE IT SHALL BE AS SHOWN ON THE SCHEME DRAWINGS.
7. DEPTH OF SURFACE COURSE OVER KERB BED TO BE AS SPECIFIED FOR ADJACENT SURFACE COURSE (MINIMUM 40).



B	COPYRIGHT AMENDED AND NEW DIRECTORATE DETAILED	09.02.2023	AM	KM	
A	BRANDING UPDATED	20.06.2022	CLT	KM	MC
REV	AMENDMENTS	DATE	CAD	CHKD	APPD

CONSULTANT




TIM LAWTON BEng CEng FICE FCIHT : ASSISTANT DIRECTOR OF UNIVERSAL SERVICES

SCHEME

**STANDARD DETAILS**

DRAWING TITLE

**K-LITE TRADITIONAL KERB  
(FOR USE IN RURAL/  
COUNTRYSIDE LOCATIONS)**

DESIGNER	CHECKED	SCALE @ A3
MC	JPR   JPR	N.T.S
CAD	APPROVED	DATE
MC	CDP   CDP	March 2020
DRAWING NUMBER	REV	
HCC11/C/015	B	

Copyright Hampshire County Council.

All rights, including translation, reserved. No part of this publication may be reproduced, stored in a retrieval system, or transmitted in any form or by any means (electronic, mechanical, photocopied, recorded or otherwise) without the prior written permission of Hampshire County Council. Requests should be directed to Hampshire Engineering Services.