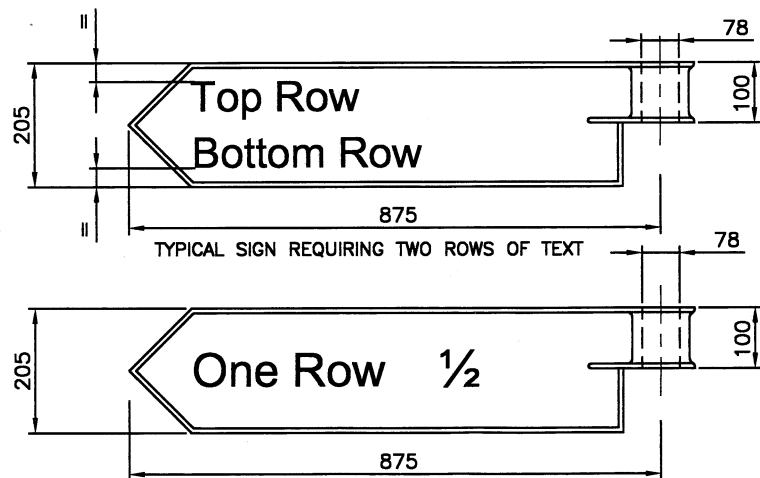
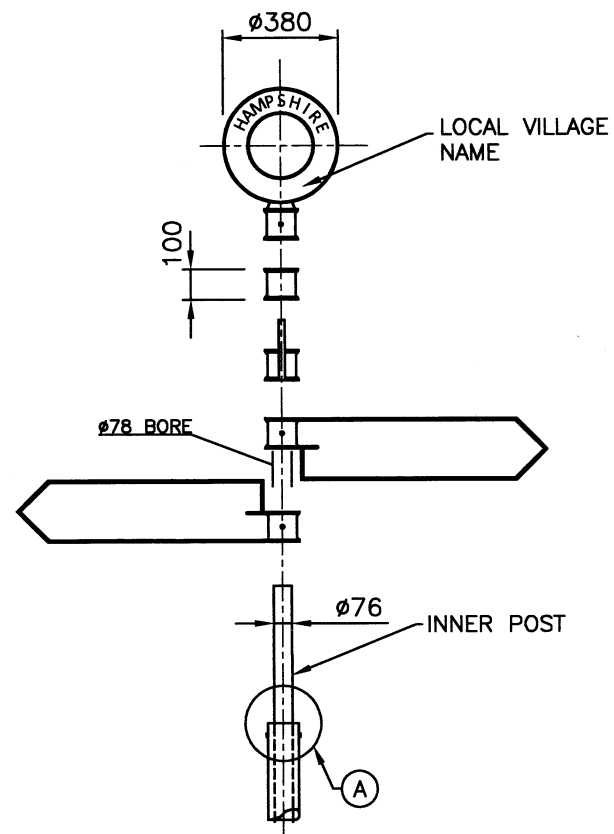


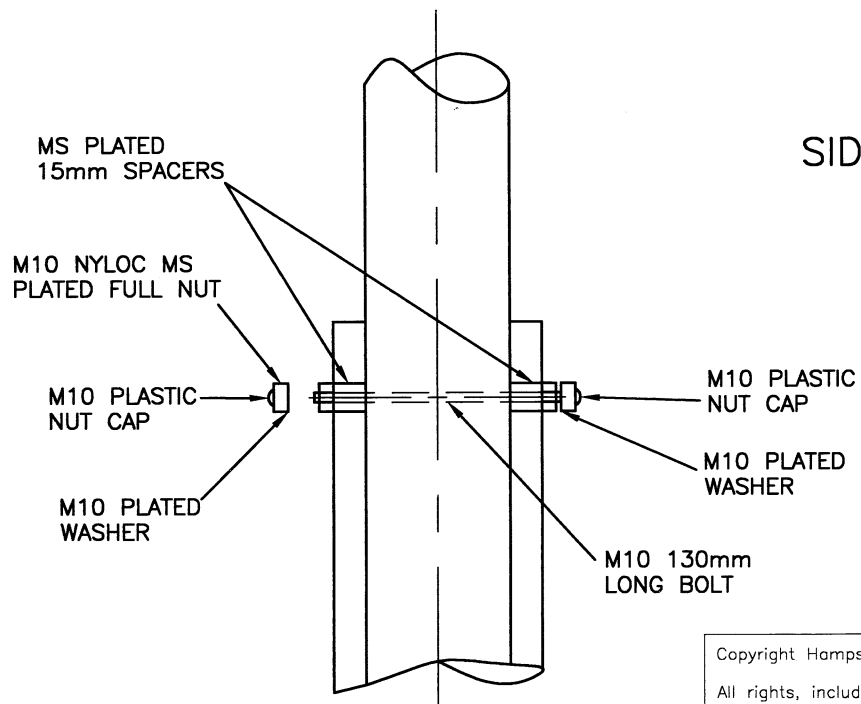
FRONT ELEVATION



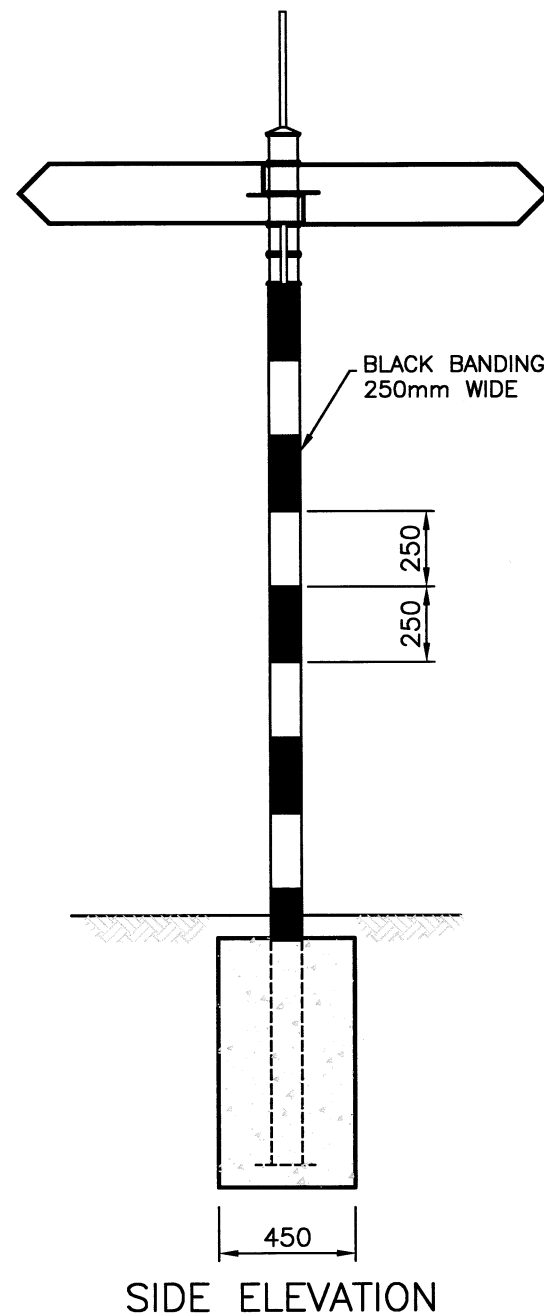
ENLARGED SIGN FACE DETAILS  
(PLACE NAMES TO BE IN UPPERCASE/LOWERCASE AS SHOWN)



EXPLODED VIEW OF ALUMINIUM  
ARMS, COLLAR AND FINIAL



DETAIL A



SIDE ELEVATION

NOTES:

1. ALL DIMENSIONS ARE IN MILLIMETRES UNLESS STATED OTHERWISE.
2. ALSO REFER TO THE SCHEME SIGN SCHEDULES.
3. ALL SIGN FACES & POSTS TO BE PAINTED WHITE WITH BLACK LETTERING.
4. POST TO BE PAINTED WITH 250mm WIDE BLACK BANDS AS SHOWN.
5. SIGN ARMS, FINIAL, COLLARS AND FINIAL MOUNTS ARE TO BE CAST ALUMINIUM ALLOY OR CAST IRON COMPONENTS. POSTS ARE TO MATCH THE EXISTING ON SITE & ARE TO BE EITHER GALVANISED STEEL TUBE OR CAST IRON OR CAST ALUMINIUM.
6. ALL COATINGS ARE TO BE ZINC PHOSPHATE/ALKYD BASED BLACK OR WHITE (e.g HAMMERITE OR SIMILAR) & ARE TO BE EITHER BY SPRAY OR BRUSH APPLIED WITH A SINGLE COAT OF EACH COLOUR OF PAINT. WHERE EXISTING CAST IRON FINGERS OR POSTS REQUIRE REPAINTING, AN UNDERCOAT OF ZINC PRIMER IS REQUIRED.
7. ALL FIXINGS ARE TO BE CORROSION RESISTANT AND ARE TO BE LEFT IN A CORROSION PROOF STATE BY USE OF GREASE & USING A WATERPROOF CAP. FIXINGS TO BE LEFT IN A TAMPER PROOF STATE BY FILLING GRUB SCREWS WITH A DRILLABLE ADHESIVE FILLER OR EQUIVALENT.

REV	AMENDMENTS	DATE	CAD	CHKD	APPD

CONSULTANT

STUART JARVIS BSc DipTP FCIHT MRTPI: DIRECTOR OF ECONOMY, TRANSPORT & ENVIRONMENT

SCHEME

**STANDARD DETAILS**

DRAWING TITLE

**END-MOUNTED TRAFFIC SIGN  
WITH CIRCULAR FINIAL  
(WITH TRADITIONAL FINGER POST)**

HCC CADplot: 14.Oct.2015 et 12:44pm		
DRAWN	CHECKED	SCALE @ A3
WW	MP	N.T.S
CAD	APPROVED	DATE
WW	CP	July 2015
DRG No.	REVISION	
HCC10/C/151	-	

Copyright Hampshire County Council. 2015

All rights, including translation, reserved. No part of this publication may be reproduced, stored in a retrieval system, or transmitted in any form or by any means (electronic, mechanical, photocopied, recorded or otherwise) without the prior written permission of Hampshire County Council. Requests should be directed to the Economy, Transport & Environment Department.