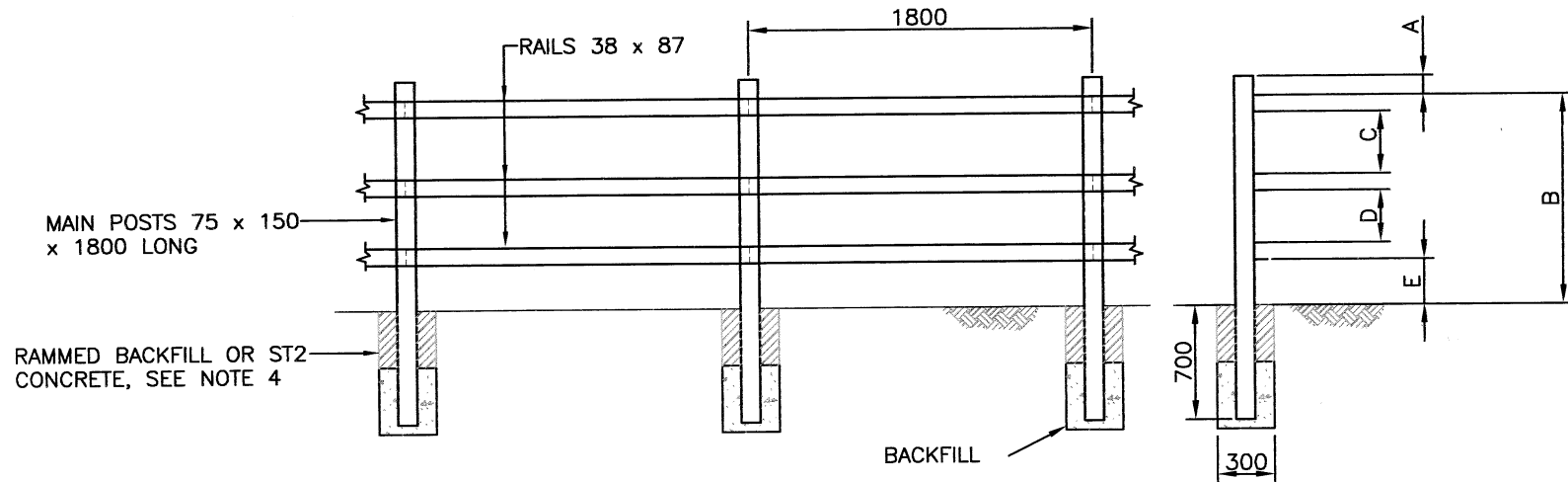
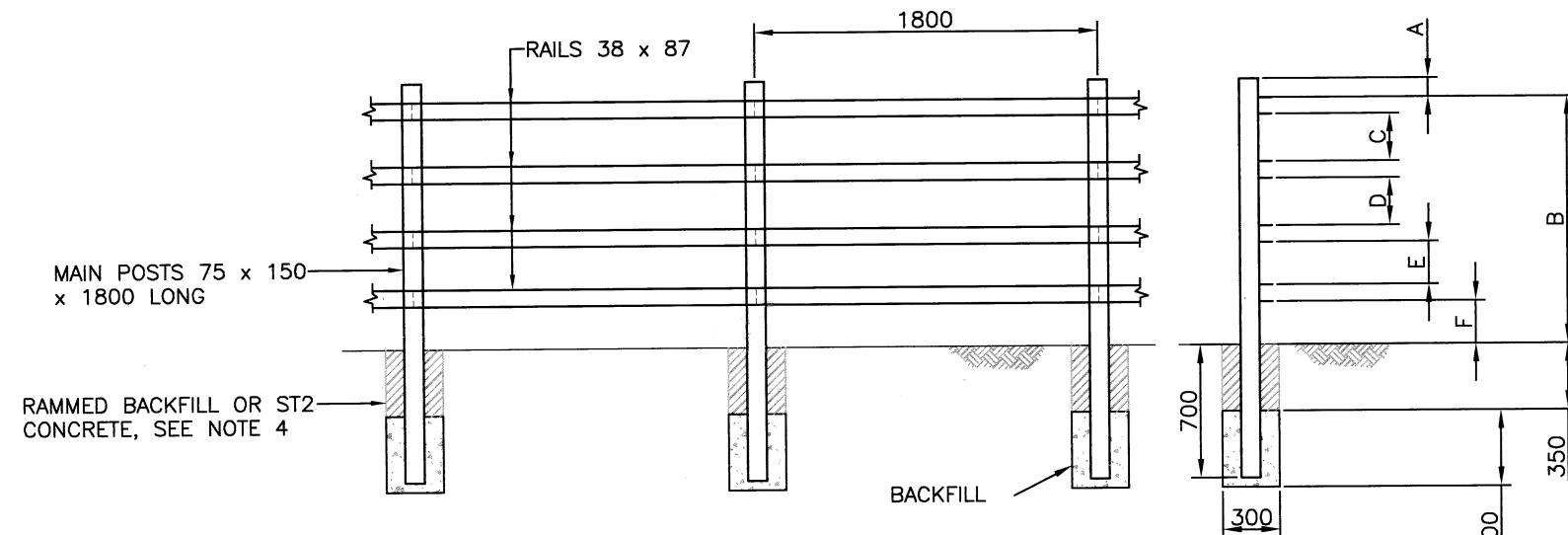


All rights, including translation, reserved. No part of this publication may be reproduced, stored in a retrieval system, or transmitted in any form or by any means (electronic, mechanical, photocopied, recorded or otherwise) without the prior written permission of Hampshire County Council. Requests should be directed to the Economy, Transport & Environment Department.



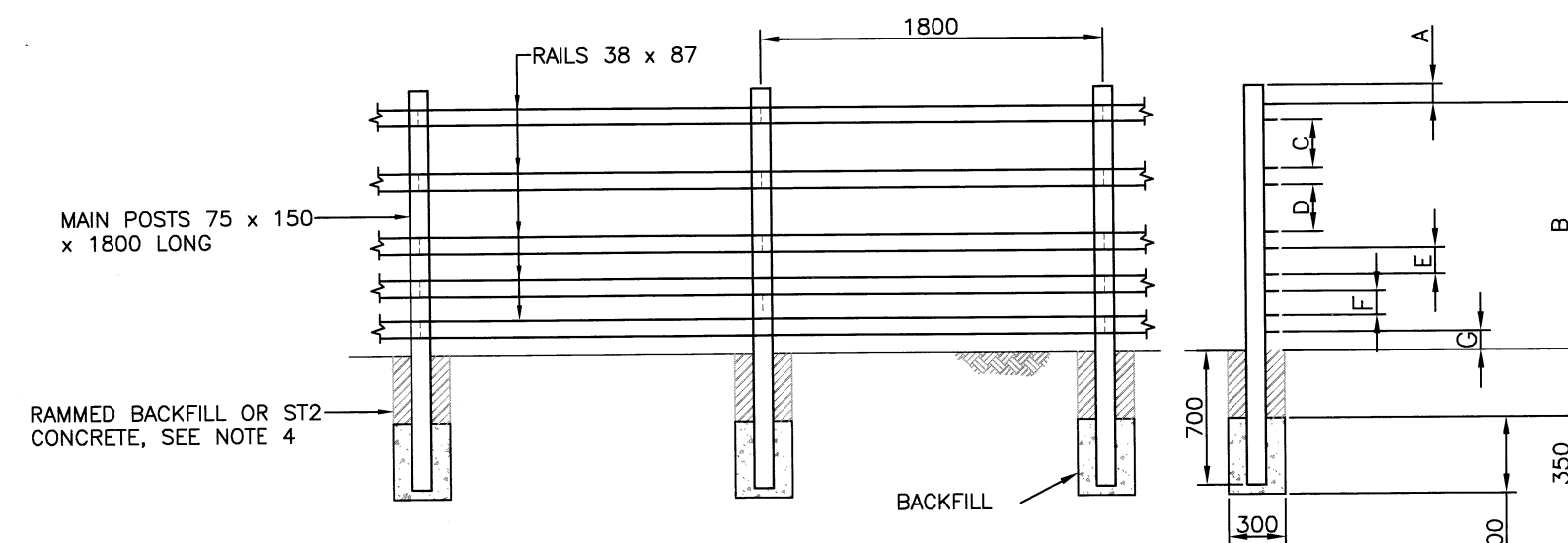
TIMBER POST AND 3 RAIL FENCE DETAIL

SECTION THROUGH ϕ OF MAIN POSTS



TIMBER POST AND 4 RAIL FENCE DETAIL

SECTION THROUGH ϕ OF MAIN POSTS



TIMBER POST AND 5 RAIL FENCE DETAIL

SECTION THROUGH ϕ OF MAIN POSTS

NOTES:

1. ALL DIMENSIONS ARE IN MILLIMETRES.
2. SPECIFICATION CLAUSE 306 APPLIES UNLESS OTHERWISE STATED IN APPENDIX 3/1 OR APPENDIX 1/15.
3. 4 RAIL FENCE – BS 1722-7 TYPE SPR APPLIES UNLESS OTHERWISE STATED.
4. POSTS CAN BE SUPPORTED BY RAMMED BACKFILL OR ST2 CONCRETE UNLESS APPENDIX 1/15 OR APPENDIX 3/1 REQUIRE ST2 CONCRETE TO BE USED.
5. RAILS TO BE CUT AT EACH POST AND LOCATED ON HIGHWAY SIDE OF FENCE

	A	B	C	D	E	F	G
3 RAIL FENCE	100	1100	325	275	240	-	-
4 RAIL FENCE	100	1300	250	250	225	225	-
5 RAIL FENCE	100	1300	250	250	140	125	100

REV	AMENDMENTS	DATE	CAD	CHKD	APPD
-	-	-	-	-	-

CONSULTANT

STUART JARVIS BSc DipTP FCIHT MRTPI: DIRECTOR OF ECONOMY, TRANSPORT & ENVIRONMENT

SCHEME

STANDARD DETAILS

DRAWING TITLE

TIMBER POST AND RAIL FENCE DETAILS

HCC CADplot: 18.Sep.2015 at 2:05pm

DRAWN	CHECKED	SCALE @ A3
RB	WW, WW	N.T.S
CAD	APPROVED	DATE
RB	CP	July 2015
DRG No.	REVISION	
HCC10/C/136	-	