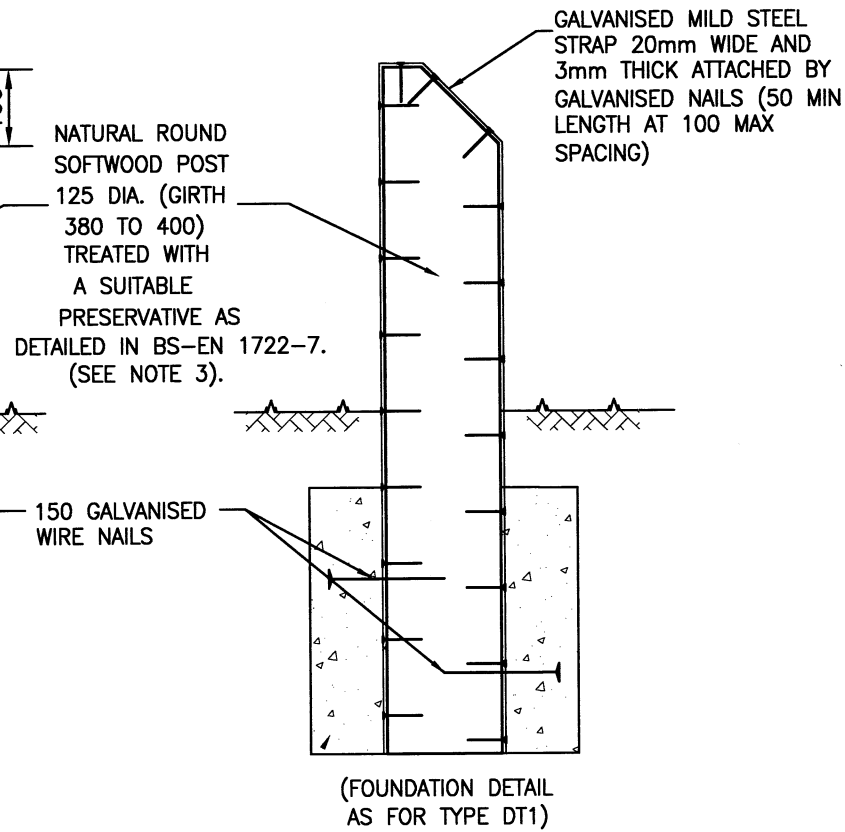
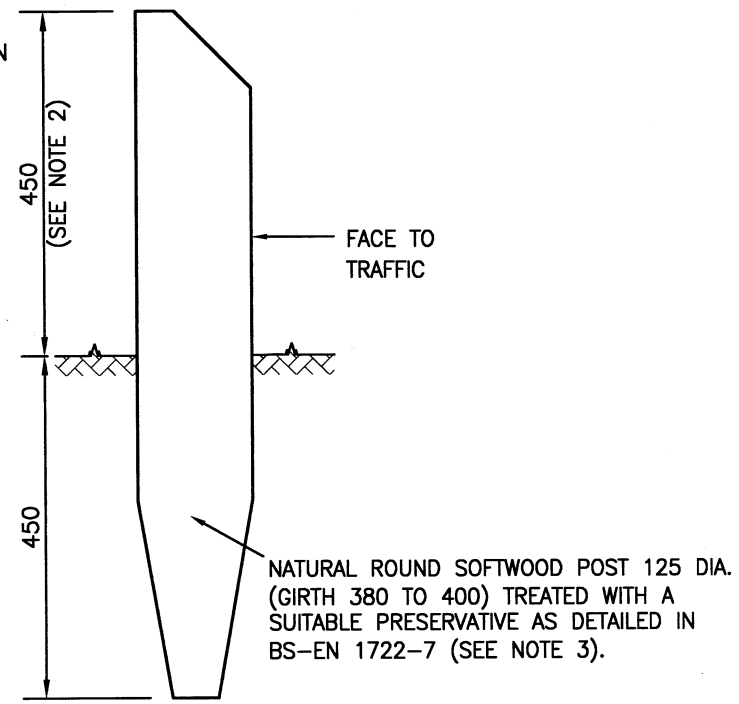


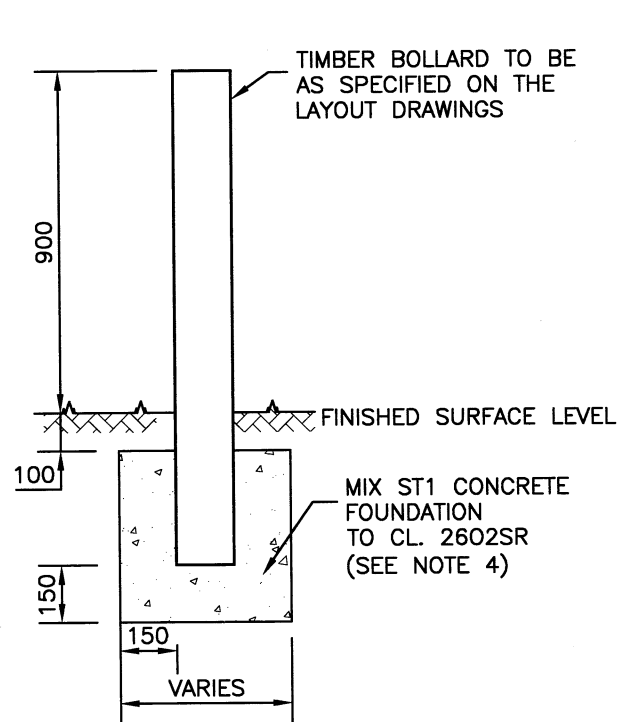
**DRAGON'S TEETH
TYPE DT1
(CONCRETE BASE)**



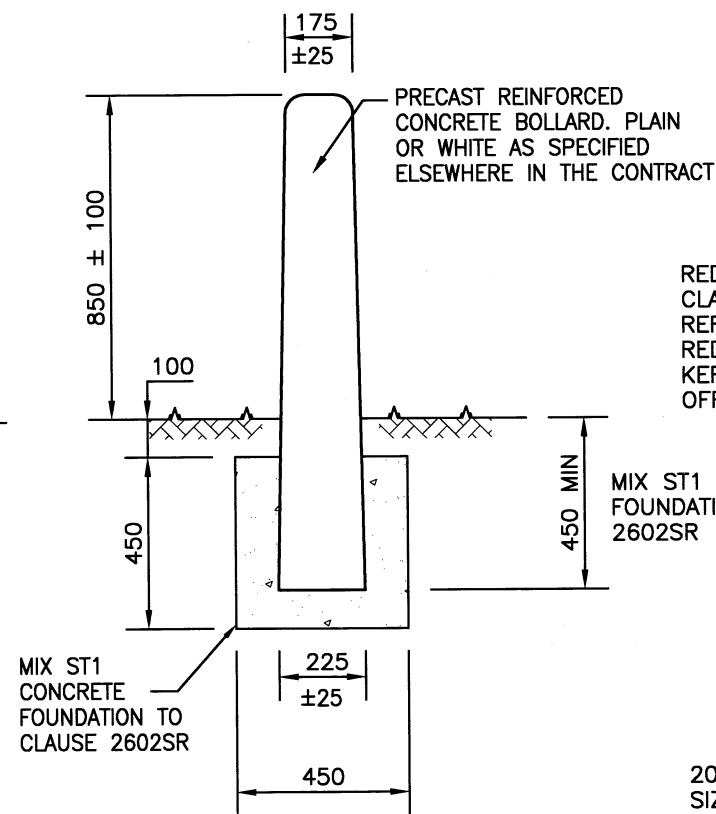
**DRAGON'S TEETH
TYPE DT2
(WITH STEEL STRAPS)**



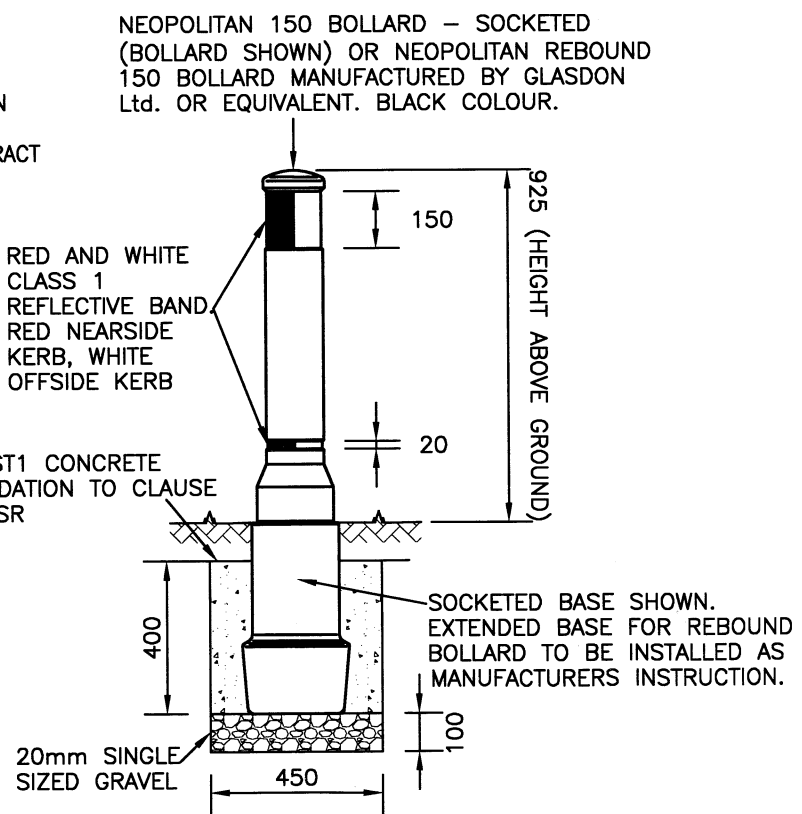
**DRAGON'S TEETH
TYPE DT3
(DRIVEN POST)**



TIMBER BOLLARD FOUNDATION



CONCRETE BOLLARD



PLASTIC BOLLARD

NOTES:

1. ALL DIMENSIONS ARE IN MILLIMETRES.
2. DRAGON'S TEETH TYPE DT1, DT2 AND DT3: AS SHOWN.
DRAGON'S TEETH TYPE DT1(L), DT2(L) AND DT3(L): AS SHOWN EXCEPT THAT THEIR HEIGHT ABOVE GROUND SHALL BE 750 AND THEIR OVERALL LENGTH OF POST SHALL BE 1200.
3. ALL TIMBER DRAGON'S TEETH AND BOLLARDS SHALL BE SUPPLIED FROM A SUSTAINABLE SOURCE AND CERTIFICATES SUPPLIED TO THE OVERSEEING ORGANISATION.
4. WHERE TIMBER BOLLARDS ARE TO BE INSTALLED WITH AN OFFSET TO THE EDGE OF THE CARRIAGEWAY OF BETWEEN 450 AND 1000, A WELL COMPACTED GRANULAR MATERIAL TO CLAUSE 891AR SHALL BE USED AS A SUBSTITUTE FOR MIX ST1 CONCRETE IF SPECIFIED.

REV	AMENDMENTS	DATE	CAD	CHKD	APPD
-	-	-	-	-	-

CONSULTANT

STUART JARVIS BSc DipTP FCIHT MRTPI: DIRECTOR OF ECONOMY, TRANSPORT & ENVIRONMENT

SCHEME

STANDARD DETAILS

DRAWING TITLE

WOODEN DRAGON'S TEETH AND BOLLARDS

HCC CADplot: 26.Nov.2015 at 4:39pm		
DRAWN	CHECKED	SCALE @ A3
RB	WW, WW	N.T.S
CAD	APPROVED	DATE
RB	CP, [Signature]	July 2015
DRG No.	REVISION	
HCC10/C/130	-	

Copyright Hampshire County Council. 2015
All rights, including translation, reserved. No part of this publication may be reproduced, stored in a retrieval system, or transmitted in any form or by any means (electronic, mechanical, photocopied, recorded or otherwise) without the prior written permission of Hampshire County Council. Requests should be directed to the Economy, Transport & Environment Department.