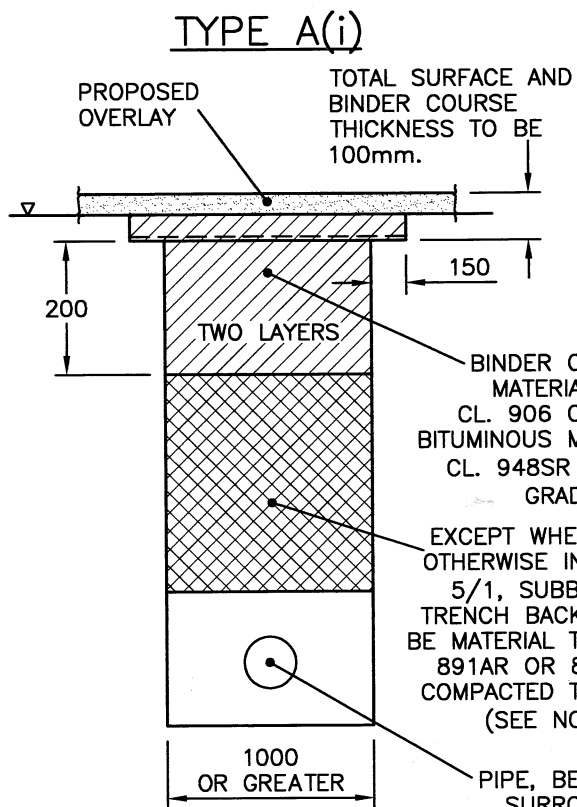


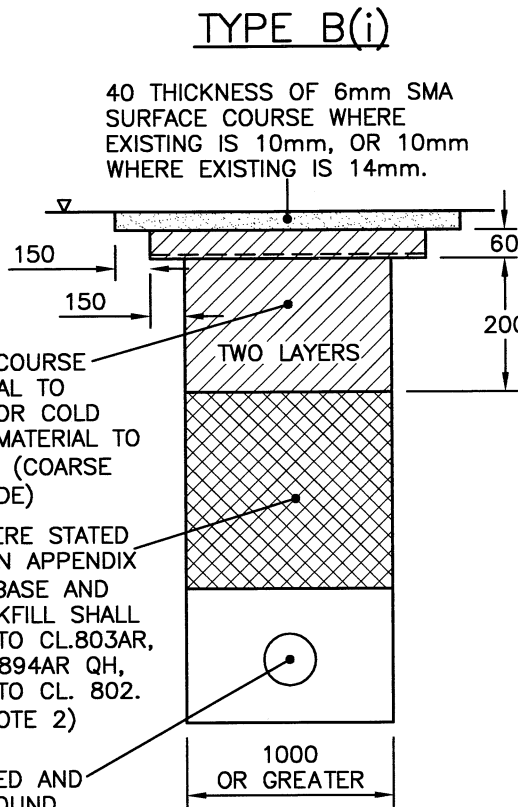
REINSTATEMENT TYPE A

WHERE EXISTING CARRIAGEWAY IS TO BE OVERLAID



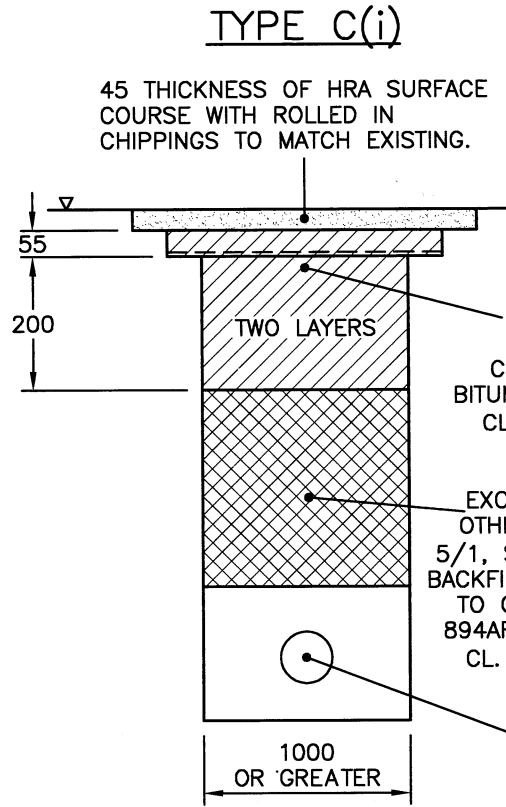
REINSTATEMENT TYPE B

WHERE EXISTING SURFACING IS THIN SURFACE COURSE SYSTEM OR STONE MASTIC ASPHALT



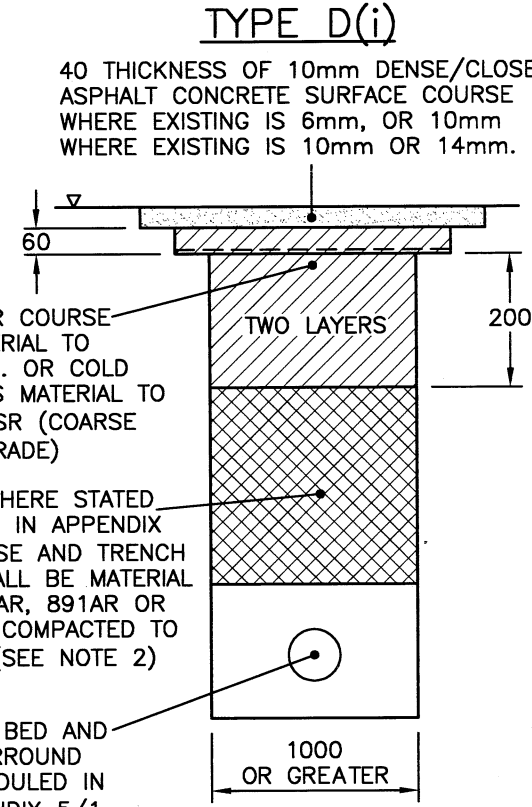
REINSTATEMENT TYPE C

WHERE EXISTING SURFACING IS HOT ROLLED ASPHALT OR SURFACE DRESSED SITES OF 40 MPH OR GREATER

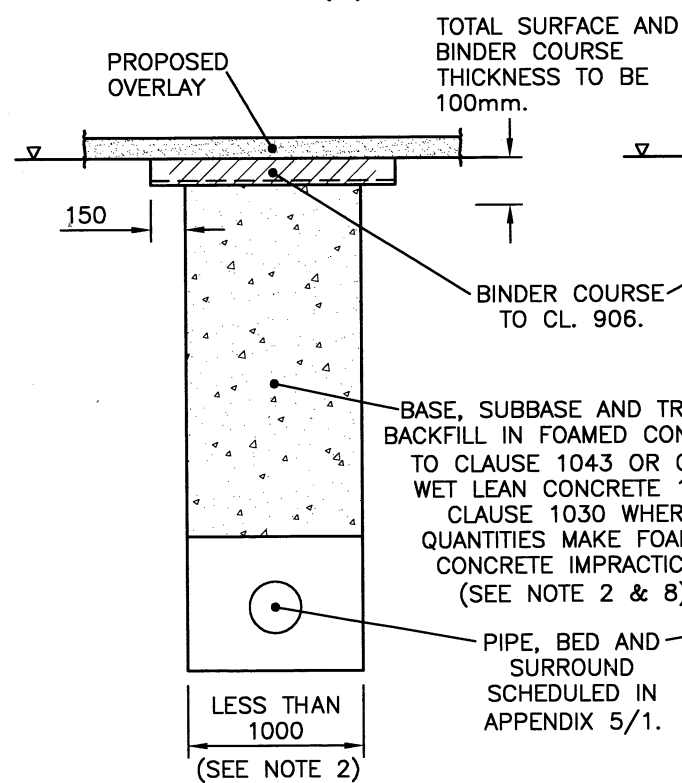


REINSTATEMENT TYPE D

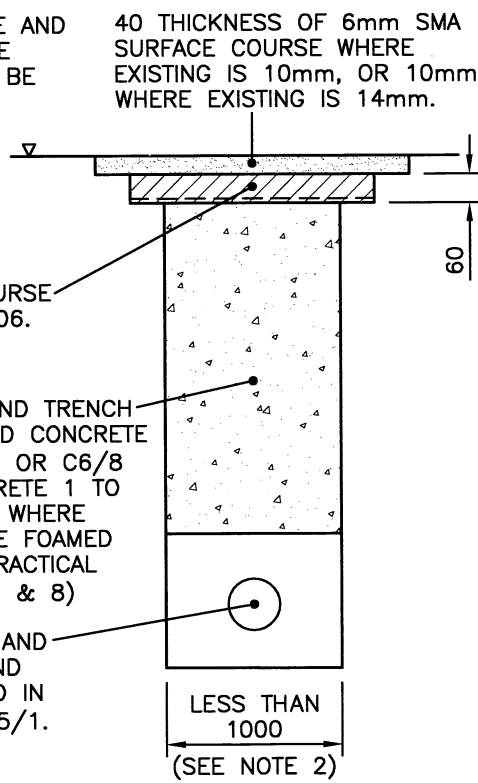
WHERE EXISTING SURFACING IS DBM OR SURFACE DRESSED SITES OF 30 MPH



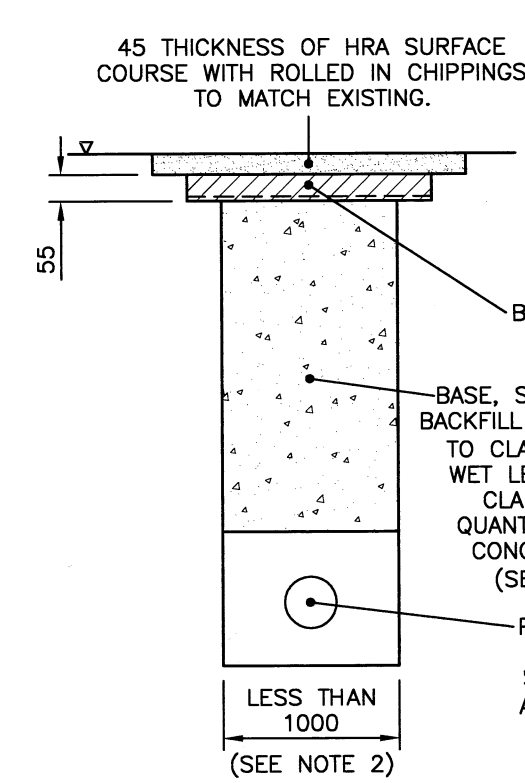
TYPE A(ii)



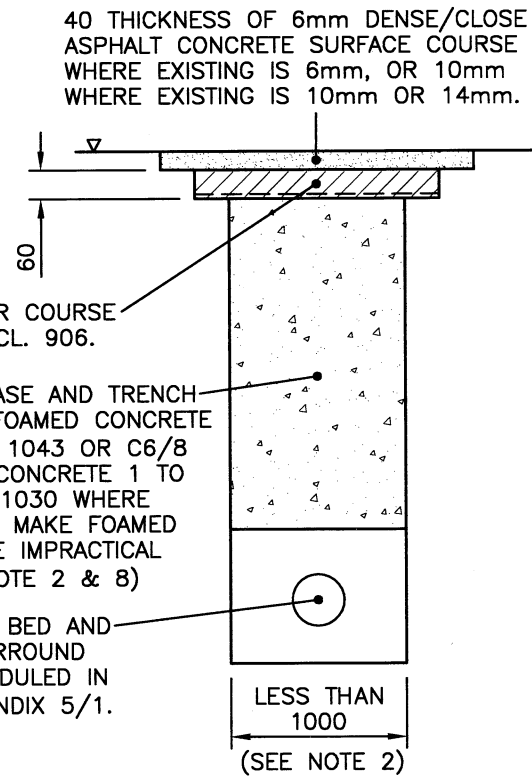
TYPE B(ii)



TYPE C(ii)



TYPE D(ii)



NOTES:

- ALL DIMENSIONS ARE IN MILLIMETRES.
- SUBJECT TO THE APPROVAL OF THE OVERSEEING ORGANISATION REINSTATEMENT TYPES A (i) TO D (i) MAY BE USED FOR TRENCH WIDTHS OF 500 TO 1000 IF A TRENCH COMPACTOR IS USED.
- THE REPLACEMENT OF THE ROAD STRUCTURE SHALL BE CARRIED OUT AS SOON AS PRACTICABLE AFTER TRENCH BACKFILLING HAS BEEN COMPLETED.
- THE EDGE OF THE TRENCH SHALL BE CUT TO A UNIFORM LINE CONSISTENT WITH THE WIDTH REQUIRED FOR THE PARTICULAR PIPES OR DUCTS BEING LAID. ANY PART OF THE STRUCTURE OF THE CARRIAGEWAY BEYOND THE WIDTH OF THE TRENCH WHICH HAS BEEN DAMAGED BY THE CONTRACTOR SHALL BE CUT OUT AND MADE GOOD.
- SEE APPENDIX 7/2 FOR DETAILS OF AGGREGATE SIZE, MINIMUM PSV, MAXIMUM AAV, ETC.
- UNLESS OTHERWISE STATED IN APPENDIX 7/2 A STRESS ABSORBING MEMBRANE (GEOGRID) SHALL BE INSTALLED BENEATH THE BINDER COURSE LAYER ACROSS TO FULL WIDTH INCLUDING THE JOINT OVERLAP. THE GRID SHALL HAVE A MINIMUM TENSILE STRENGTH IN BOTH DIRECTIONS OF 100kN/m AND SHALL OVERLAP THE TRENCH EDGES BY 150 MINIMUM. INSTALLATION IN ACCORDANCE WITH MANUFACTURER'S INSTRUCTIONS.
- TREATMENT OF LAYERS AND VERTICAL JOINTS SHALL BE IN ACCORDANCE WITH CL 903.
- WHERE WET LEAN CONCRETE 1 IS USED, CRACKS SHALL BE INDUCED AT 3m CENTRES.
- METHYL METHACRYLATE (MMA) OVERBANDING MAY BE USED IF SPECIFIED.
- IF A NEW REINSTATEMENT IS WITHIN 250mm OF AN EXISTING REINSTATEMENT OR A FIXED FEATURE (eg KERBS), THEN THE NEW REINSTATEMENT SHALL BE WIDENED TO JOIN UP.

REV	AMENDMENTS	DATE	CAD	CHKD	APPD
-	-	-	-	-	-

CONSULTANT

STUART JARVIS BSc DipTP FCILT MRTPI: DIRECTOR OF ECONOMY, TRANSPORT & ENVIRONMENT

SCHEME

STANDARD DETAILS

DRAWING TITLE

REINSTATEMENT OF DRAIN AND DUCT TRENCHES IN EXISTING CARRIAGEWAYS

DRAWN	CHECKED	SCALE @ A3
MC	WW	N.T.S
CAD	APPROVED	DATE
MC	CP	July 2015
DRG No.	HCC10/C/090	REVISION
		-

LEGEND

- EXISTING ROAD SURFACE LEVEL
- STRESS ABSORBING MEMBRANE (GEOGRID) REINFORCEMENT (SEE NOTE 6)

Copyright Hampshire County Council. 2015

All rights, including translation, reserved. No part of this publication may be reproduced, stored in a retrieval system, or transmitted in any form or by any means (electronic, mechanical, photocopied, recorded or otherwise) without the prior written permission of Hampshire County Council. Requests should be directed to the Economy, Transport & Environment Department.