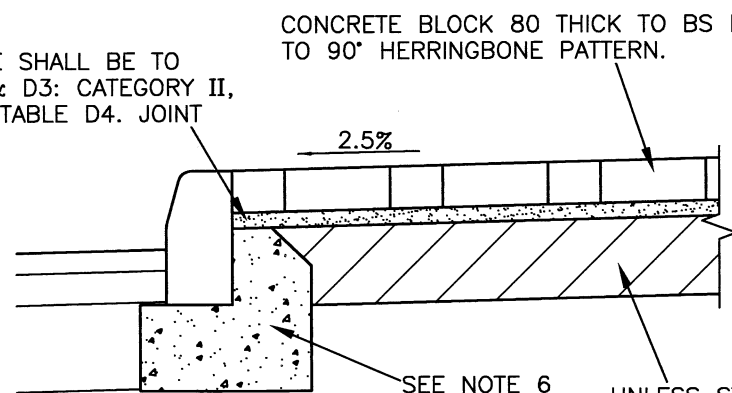


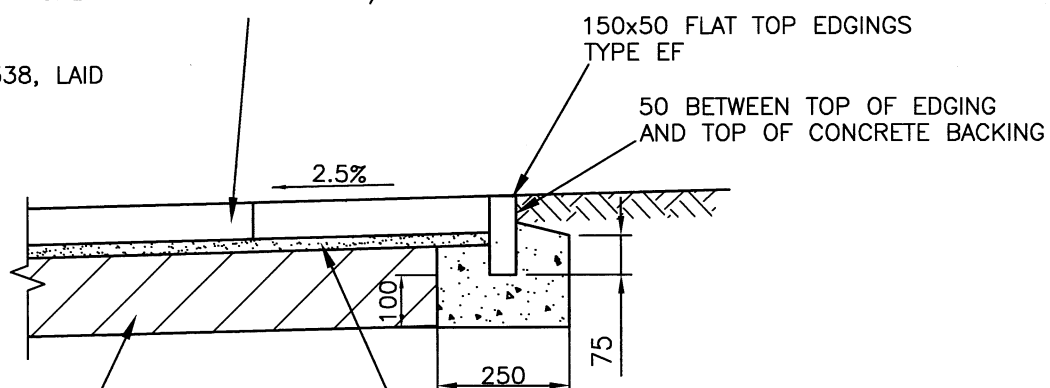
FOOTWAY TYPE 5 – STRENGTHENED FLEXIBLE CONSTRUCTION

MARSHALLS 'TRAFICA' VERSION OR EQUIVALENT PRECAST CONCRETE FLAGS TO BS EN 1339 AS SPECIFIED IN APPENDIX 11/1.

30 SAND LAYING COURSE SHALL BE TO BS 7533-3: TABLE D2 & D3: CATEGORY II, WITH JOINTING SAND TO TABLE D4. JOINT WIDTH TO BE 2-5.



**FOOTWAY TYPE 6A
STRENGTHENED
CONCRETE BLOCK PAVING**



**FOOTWAY TYPE 6B
STRENGTHENED
PRECAST CONCRETE FLAG PAVING**

NOTES:

- ALL DIMENSIONS ARE IN MILLIMETRES.
- EXCEPT WHERE OTHERWISE SHOWN ON THE LAYOUT DRAWINGS, KERBS AND EDGINGS SHALL BE IN ACCORDANCE WITH CLAUSE 1101.
- UNLESS OTHERWISE STATED IN APPENDIX 11/1, FOOTWAY TYPE 5 SURFACE AND BINDER COURSE MATERIALS SHALL BE AS FOLLOWS:
(i) SURFACE COURSE:- 20 DENSE ASPHALT CONCRETE AC6 DENSE SURF 100/150 TO BS EN 13108-1. MIN. PSV TO BE 45 FOR FOOTWAYS AND 55 FOR CYCLEWAYS & SHARED USE ROUTES.
(ii) BINDER COURSE:- DENSE ASPHALT CONCRETE AC20 DENSE BIN 100/150 TO BS EN 13108-1 QUICK HYDRAULIC HYDRAULICALLY BOUND MATERIAL (HBMQH) TO CLAUSE 894AR.
- SUBBASE FOR TYPE 5 FOOTWAY TO BE 150 QUICK HYDRAULIC HYDRAULICALLY BOUND MATERIAL (HBMQH) TO CL. 894AR. WHERE HBMQH IS LAID FOR THE BINDER COURSE (AS S(ii) ABOVE) AS WELL AS SUBBASE, IT MUST BE LAID AND SEALED AS SEPARATE LAYERS IN ACCORDANCE WITH THE SPECIFICATION. SUBJECT TO THE APPROVAL OF THE OVERSEEING ORGANISATION, MATERIALS INCLUDED IN NOTE 5 MAY BE USED IF CONDITIONS ARE NOT SUITABLE FOR LAYING HBMQH.
- UNLESS OTHERWISE STATED IN APPENDIX 11/1, SUBBASE FOR TYPE 6A AND 6B FOOTWAY SHALL BE 150 MATERIAL COMPLYING WITH CLAUSE 803 OR CLAUSE 891AR, 892AR, 893AR OR 894AR AS SPECIFIED IN THE WORKS INFORMATION.
- BED AND BACKING TO KERBS & EDGINGS SHALL BE MIX ST1 CONCRETE TO CLAUSE 2602SR. STANDARD DETAILS OF KERBS, BED AND BACKING ARE ON DRAWING HCC10/C/010 TO 030.
- TREATMENT OF BITUMINOUS SURFACES AND VERTICAL JOINTS SHALL BE IN ACCORDANCE WITH CL 903.
- BLOCKS OR FLAGS TO HAVE MIN. PPTV = 45. IF THE CROSSFALL IS >5% OR THE FOOTWAY IS LIKELY TO BE USED BY VULNERABLE PEDESTRIANS, THE MIN. PPTV SHOULD BE 55.

A	NOTE 4 REVISED TO SHOW CL.894AR	MAY 16	RB	WW	
REV	AMENDMENTS	DATE	CAD	CHKD	APPD

CONSULTANT

Hampshire County Council Engineering CONSULTANCY

STUART JARVIS BSc DipTP FCIHT MRTPI: DIRECTOR OF ECONOMY, TRANSPORT & ENVIRONMENT

SCHEME

STANDARD DETAILS

DRAWING TITLE

**FOOTWAYS
TYPES 5, 6A & 6B
(STRENGTHENED)**

HCC CADplot: 10.May.2016 at 8:34am

DRAWN	MC	CHECKED	WW, WW	SCALE @ A3	N.T.S
CAD	MC	APPROVED	CP, CP	DATE	July 2015
DRG No.	HCC10/C/055			REVISION	A

Copyright Hampshire County Council. 2015

All rights, including translation, reserved. No part of this publication may be reproduced, stored in a retrieval system, or transmitted in any form or by any means (electronic, mechanical, photocopied, recorded or otherwise) without the prior written permission of Hampshire County Council. Requests should be directed to the Economy, Transport & Environment Department.

HCC CADfile: K:\Eng\Standard\AutocAD\Standard Details (Secure) As Updated Dec 2011\HCC10 2015 STANDARD DETAILS\C Series\C-055.dwg